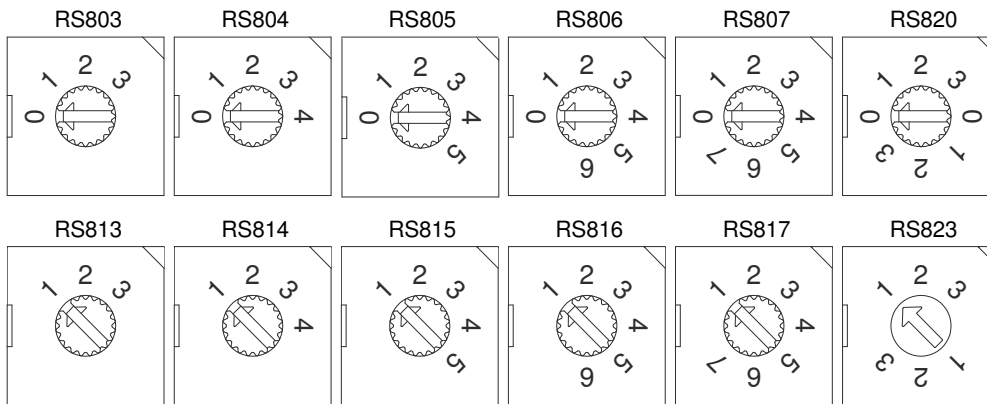
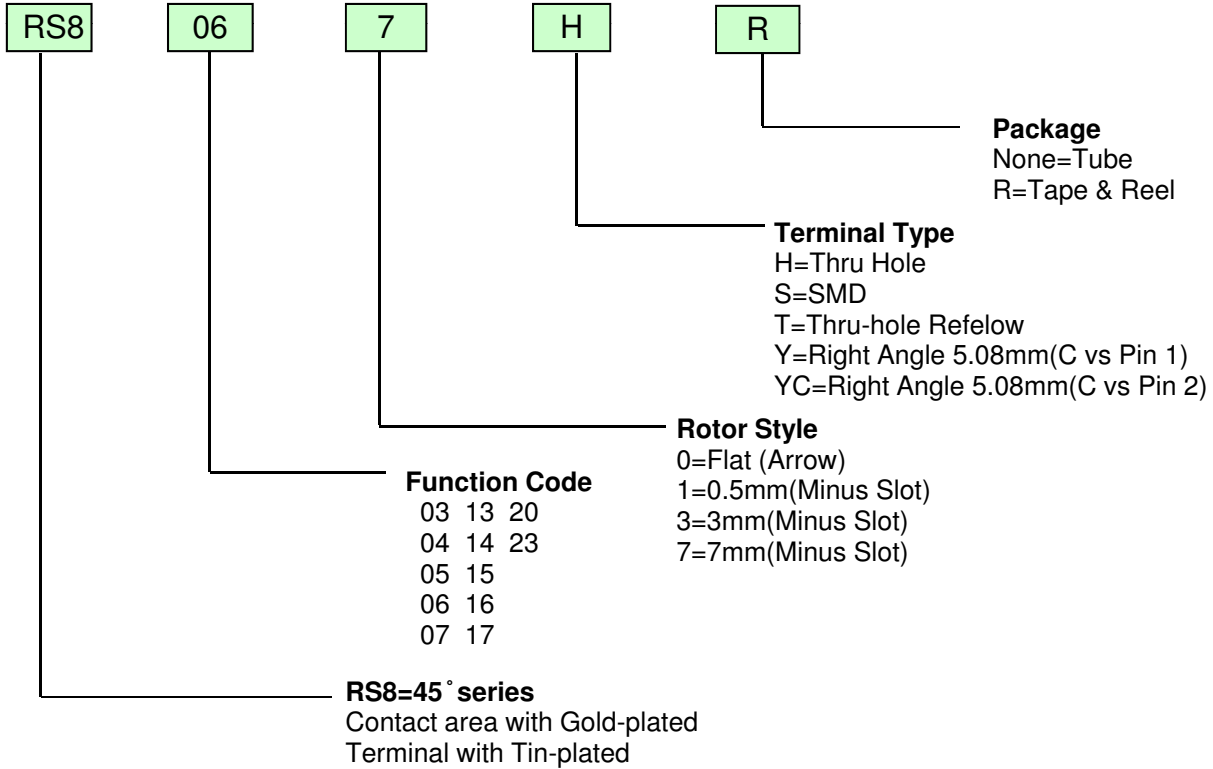
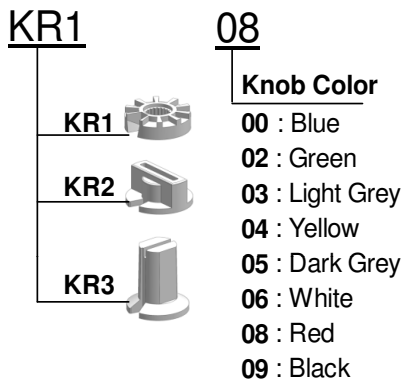


MODEL	SPECIFICATION Rotary Selector Switch RoHS&REACH Compliant / Halogen Free	SP-001	Page
RS8 Series Rotary Switch			1/6

Order Information



Knob Order Information



Note:

1. All caps are not allowed to pass through soldering process.
2. All caps should be assembled after all soldering process finished.

MODEL	SPECIFICATION		Page
RS8 Series Rotary Switch	Rotary Selector Switch RoHS&REACH Compliant / Halogen Free	SP-002	2/6

Specifications

◆ Contact Rating	
Switching 5VDC 100mA (Min. AC/DC 100mA 1µA)
Non Switching Max. 50VDC 100mA
◆ Contact 100mΩ Max.
◆ Insulation Resistance 100MΩ Max. at 100 VDC
◆ Dielectric Strength 300VAC for 1 minute
◆ Operating Force 250gf/cm
◆ Life 20,000 Steps
◆ Operating Temperature -20°C ~ +70°C
◆ Storage Temperature -20°C ~ +70°C
◆ Waterproof Meet IP67

Materials

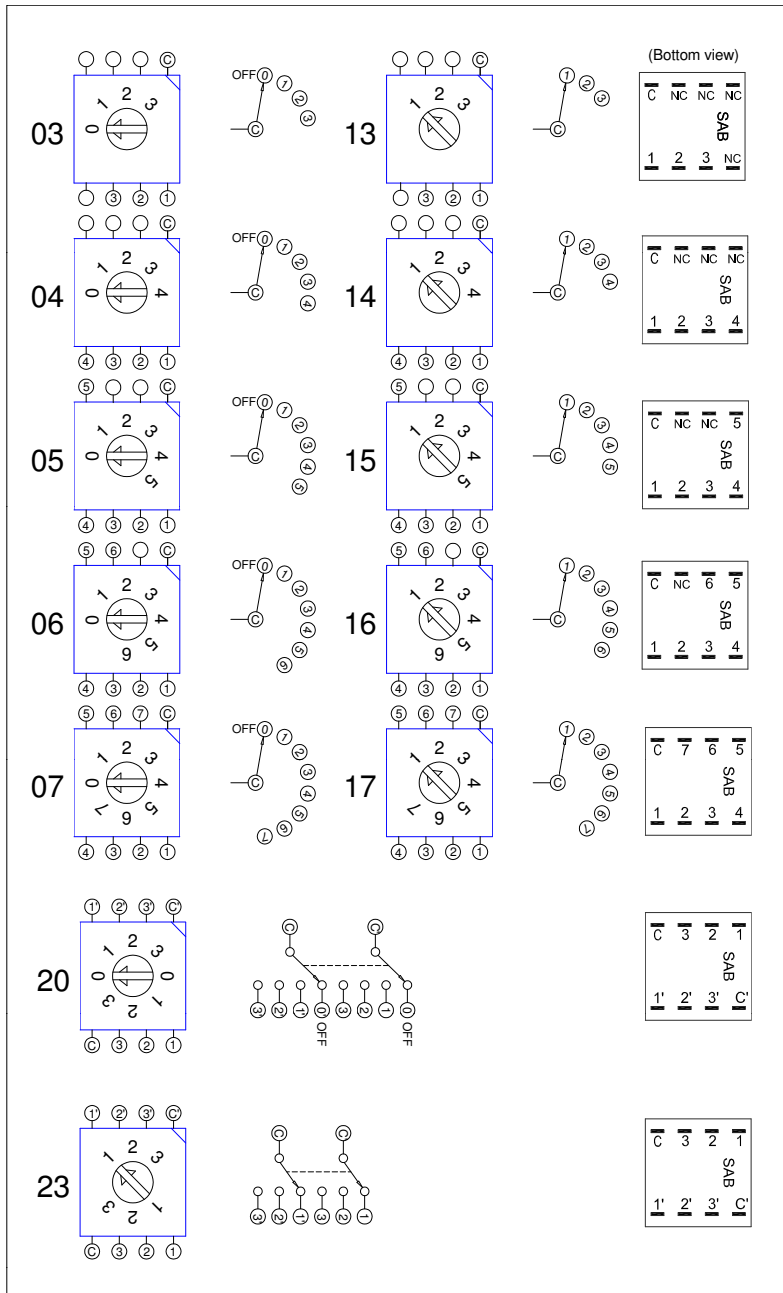
◆ Cover & Base	RS8-H/Y Halogen Free..... Thermoplastic UL 94 rate, Blue
	RS8-S/T Halogen Free..... Thermoplastic UL 94 rate, Black
◆ Rotor	Halogen Free..... Thermoplastic UL 94 rate, White
◆ Knob	Halogen Free..... Thermoplastic, ABS UL 94 rate
◆ "O" Ring Silicone Rubber
◆ Step Stainless Steel
◆ Spacer Stainless Steel
◆ Movable Contact Gold Plated
◆ Terminal Contact Gold Plated
◆ Terminal Tin Plated

Part Number Table

Function Code	H/T Type Flat Rotor Tube Package	H/T Type 3mm Rotor Tube Package	SMD Type Flat Rotor Taping Reel	SMD Type 7mm Rotor Tube Package	Y Type Flat Rotor Tube Package	Y Type 0.5mm Rotor Tube Package	YC Type 0mm Rotor Tube Package	YC Type 7mm Rotor Tube Package
03	RS8030H/T	RS8033H/T	RS8030S-R	RS8037S	RS8030Y	RS8031Y	RS8030YC	RS8037YC
04	RS8040H/T	RS8043H/T	RS8040S-R	RS8047S	RS8040Y	RS8041Y	RS8040YC	RS8047YC
05	RS8050H/T	RS8053H/T	RS8050S-R	RS8057S	RS8050Y	RS8051Y	/	/
06	RS8060H/T	RS8063H/T	RS8060S-R	RS8067S	RS8060Y	RS8061Y		
07	RS8070H/T	RS8073H/T	RS8070S-R	RS8077S	RS8070Y	RS8071Y		
13	RS8130H/T	RS8133H/T	RS8130S-R	RS8137S	RS8130Y	RS8131Y		
14	RS8140H/T	RS8143H/T	RS8140S-R	RS8147S	RS8140Y	RS8141Y	RS8140YC	RS8147YC
15	RS8150H/T	RS8153H/T	RS8150S-R	RS8157S	RS8150Y	RS8151Y	/	/
16	RS8160H/T	RS8163H/T	RS8160S-R	RS8167S	RS8160Y	RS8161Y		
17	RS8170H/T	RS8173H/T	RS8170S-R	RS8177S	RS8170Y	RS8171Y		
20	RS8200H/T	RS8203H/T	RS8200S-R	RS8207S	RS8200Y	RS8201Y		
23	RS8230H/T	RS8233H/T	RS8230S-R	RS8237S	RS8230Y	RS8231Y		

MODEL	SPECIFICATION		Page
RS8 Series	Rotary Selector Switch	SP-003	3/6
Rotary Switch	RoHS&REACH Compliant / Halogen Free		

Schematic & Terminal Connection



Dummy Terminals

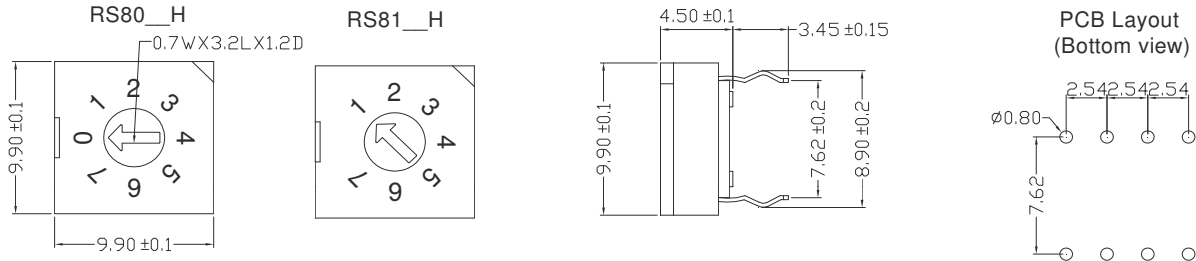
3 positions	4 5 6 7
4 positions	5 6 7
5 positions	6 7
6 positions	7
7 positions	--

* NC= Dummy terminal

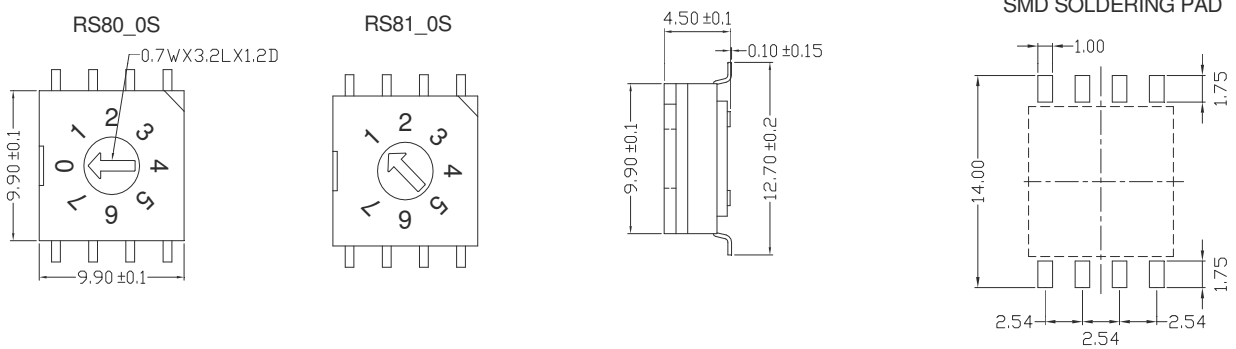
MODEL	SPECIFICATION		Page
RS8 Series Rotary Switch	Rotary Selector Switch RoHS&REACH Compliant / Halogen Free	SP-004	4/6

Outline Dimensions

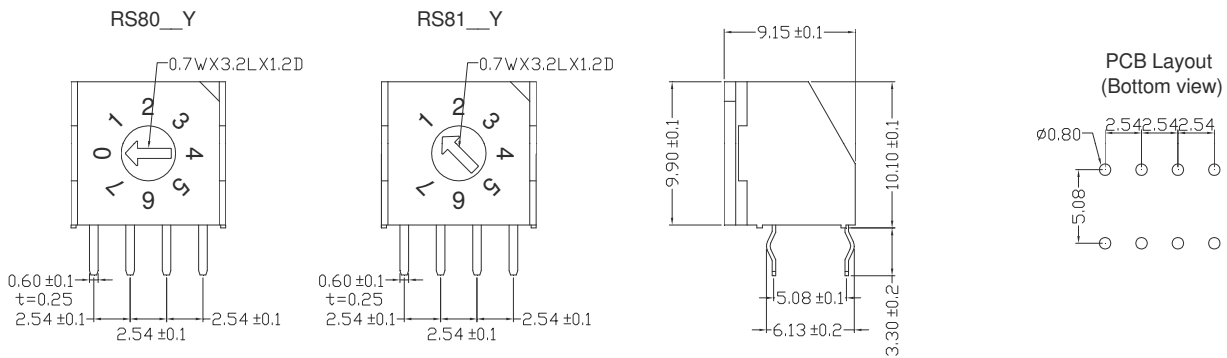
RS803~07 / 13~17 / 20,23_H (Thru-Hole)



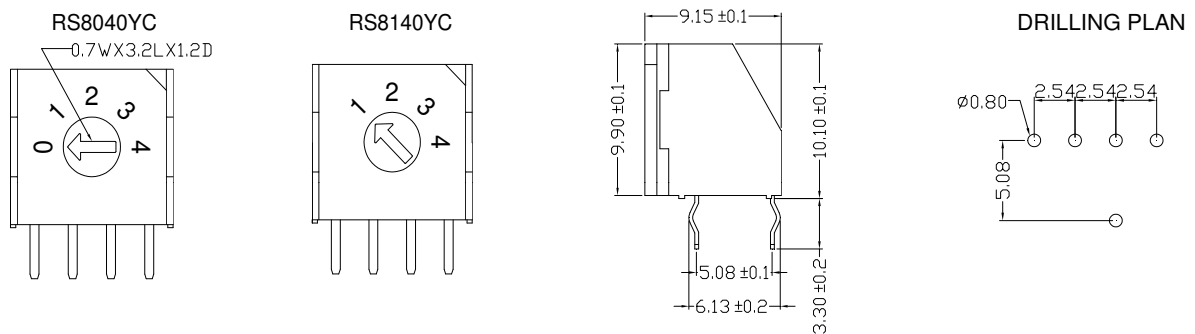
RS803~17/13~17/20,23_S (SMD)



RS803~07/13~17/20,23_Y (Right Angle 5.08mm, C vs Pin 1)



RS8_4_YC (Right Angle 5.08mm, C vs Pin 2)



MODEL	SPECIFICATION DIP SWITCH RoHS&REACH Compliant / Halogen Free	SP-005	Page
RS8 series Rotary Switch			5/6

Soldering Information

◆ Hand Soldering

Soldering iron 30W or under at 350°C for 3 sec. max. or at 270°C for 5 sec. max.

◆ Reflow Soldering

260°C +/-5°C within 30sec for reflow, In-line or Batch system.

◆ Wave Soldering

- (1) For lead free wave solder simulation of typical components, the solder bath temperature shall be maintained to 270°C / 5~10 seconds.
- (2) **THR: 280°C/10seconds**

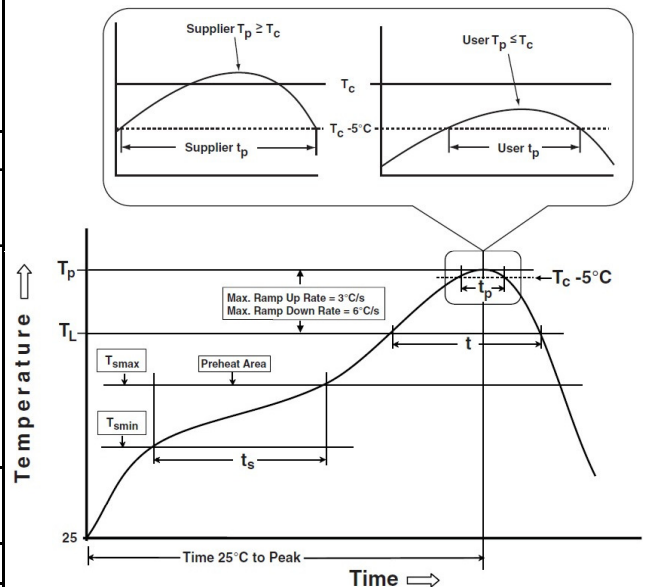
The table copy from IPC/JEDEC J-STD-020 D.1

Profile Feature	Pb-Free Assembly
Preheat / Soak	
Temperature Min (T_{Smin})	150°C
Temperature Max (T_{Smax})	200°C
Time(t_s) from (T_{Smin} to T_{Smax})	60 ~120 seconds
Ramp-up Rate (T_L to T_p)	3°C /second max
Liquidous temperature (T_L)	217°C
Time (t_L) maintained above to T_L	60 ~ 150 seconds
Peak package body temperature (T_p)	For users T_p must not exceed the Classification temp:250°C (Package Thickness>2.5mm) For suppliers T_p must equal or exceed the Classification temp:250°C (Package Thickness>2.5mm)
Time (t_p) within 5°C of specified classification temperature (T_c)	30 seconds
Ramp-Down Rate (T_p to T_L)	6°C /second max
Time 25°C to Peak Temperature	8 minutes max
* Tolerance for peak profile temperature(T_p) is defined as a supplier minimum and a user maximum	

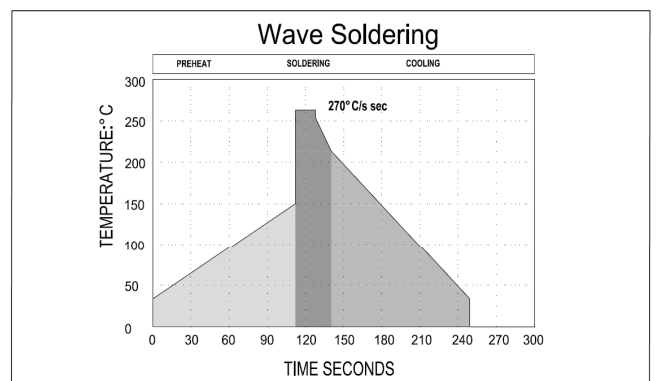
Note 1: All temperatures refer to topside of the package, measured on the package body surface.

Note 2: Time within 5 °C of actual peak temperature (t_p) specified for the reflow profiles is a "supplier" minimum and "user" maximum.

Classification Reflow Soldering Profiles



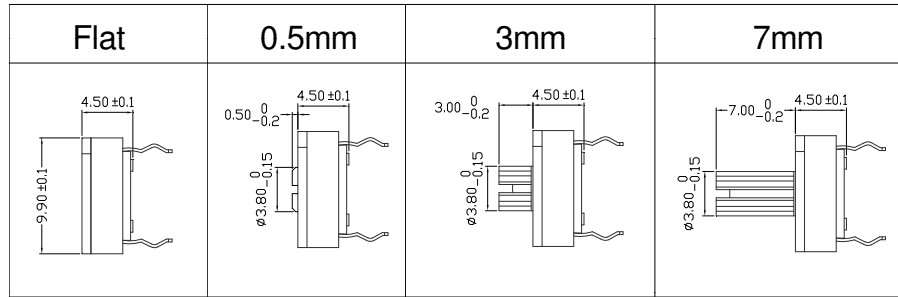
Classification Wave Soldering Profiles



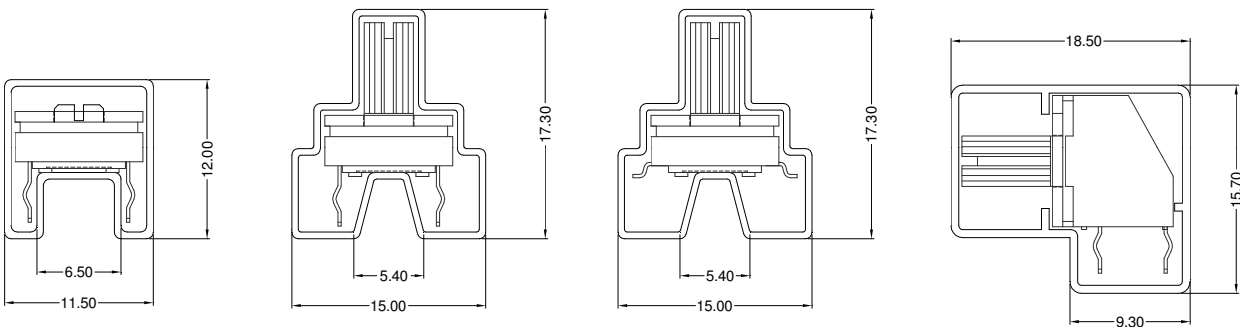
Maximum dwell time in the solder wave (270°C) shall not exceed 5 seconds.

MODEL	SPECIFICATION Rotary Selector Switch RoHS&REACH Compliant / Halogen Free	SP-006	Page
RS8 Series Rotary Switch			6/6

■ Rotor Style



■ Tube Dimensions



■ Tube Package

Terminal Type	H/T Type	H/T Type	Y/YC Type	S Type
ROTOR	Flat / 0.5mm	3mm / 7mm	Flat / 0.5mm / 3mm / 7mm	Flat / 0.5mm / 3mm / 7mm
Per TUBE (pcs)	50	50	45	50
BOX (pcs)	4000	2000	2025	2000
CTN 1 (pcs)	8000	4000	4050	4000
CTN 2 (pcs)	16000	8000	8100	8000

■ Reel Package

Terminal Type	H/T Type	S Type	S Type	S Type	S Type
ROTOR	7mm	0mm	1mm	3mm	7mm
Per REEL (pcs)	140	600	600	350	200
BOX (pcs)	560	1800	1800	1050	600
CTN (pcs)	1120	3600	3600	2100	1200

Carton

- ◆ Tube
 - 2 Boxes..... 58.5cm x 29.0cm x 15cm
 - 4 Boxes..... 58.5cm x 28.0cm x 27cm
- ◆ Reel
 - 1 Box..... 34.5cm x 34.5cm x 15cm
 - 2 Boxes..... 36.0cm x 27.5cm x 37cm

X-ON Electronics

Largest Supplier of Electrical and Electronic Components

Click to view similar products for [Rotary Switches](#) category:

Click to view products by [BIWIN](#) manufacturer:

Other Similar products are found below :

[71ESF30-05204N](#) [MC06L1NCGF](#) [84986-26](#) [PLR3251](#) [PLR3262](#) [A0142M2SP](#) [A019605](#) [A029303](#) [R2AA2133NNNN](#) [R2AA4455NNNN](#)
[RMS1224](#) [14-520.0360](#) [BCK1006](#) [HW1MS-0202-101](#) [A029101](#) [ACSNO-129-YB-C1014](#) [ACSNO-134-RR-YB-C1005](#) [ACSNO-353-SB-](#)
[C3016](#) [1825537-4](#) [T505](#) [T505E](#) [H10207RR01Q](#) [M3786/39-4ZC](#) [M3786/4-0630](#) [M3786/4-3044](#) [M3786/4-5256](#) [MC6CX1A502X009](#)
[44MBS60-04-2-03N](#) [44MG90-02-1-02N](#) [50KMT90-01-2-02N](#) [55DP30-01-2-AJN](#) [55P30-01-1-12S-C](#) [DKPT65105291](#) [5-1825033-1](#)
[08MY231140](#) [101402A](#) [7813S-1-051E](#) [801775-2B](#) [55P30-01A12S](#) [55P36-01-1-10N-C](#) [55P36-01A10N](#) [55SP30-01-1-07N](#) [M3786/4-5034](#)
[M3786/4-1150L](#) [M3786/4-1256L](#) [T10012E](#) [447610-1](#) [55D36-01-2-AJN](#) [55DP36-01-1-AJN](#) [M3786/4-5891](#)