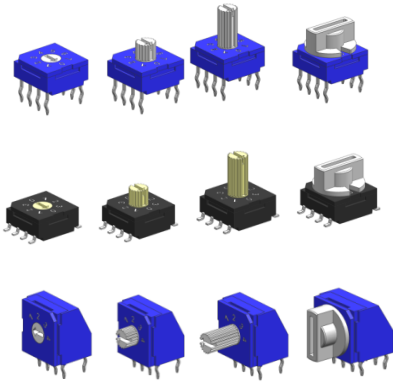




Features

- ◆ Washable, Meet IP67
- ◆ Gold-plated contacts
- ◆ Surface Mount, Thru-Hole and Right Angle
- ◆ Flush or extended rotor
- ◆ Knobs available



Standard Specifications :

Operating temperature range : -40°C ~ +85°C
 Storage temperature range : -25°C ~ +70°C
 Sealing : Washable, with "O" ring
 Mechanical Life : 20,000 Steps

Electrical Characteristics

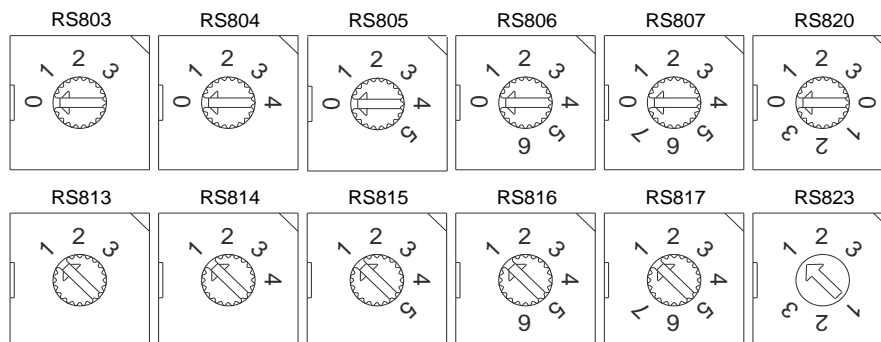
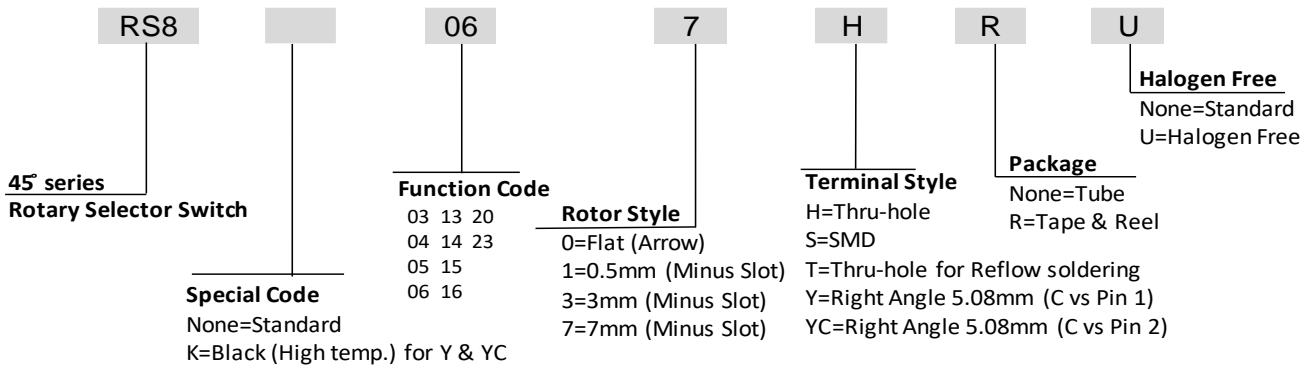
Contact rating :
 Non-switching : DC 50V, 100mA
 Switching : DC 5V, 100mA
 Minimum : DC 20mV, 1 μA

Contact timing : Non-shorting
 Contact resistance (Initial/ after life) : 60mΩ / 100mΩ
 Insulation resistance : 100MΩ (DC 100V) Max.
 Dielectric strength : 300VAC / 1 minute

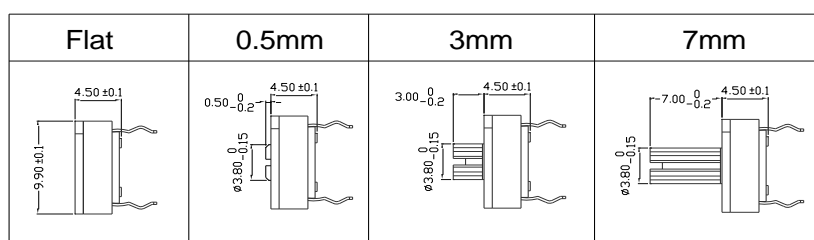
Soldering Information :

Wave soldering : 260±5°C for 5 sec. max.
 Reflow soldering : Peak temp. 245°C max.
 The time above 240 must be 30 sec. max.
 Hand soldering : 350°C 3 Sec. max.

Order Information

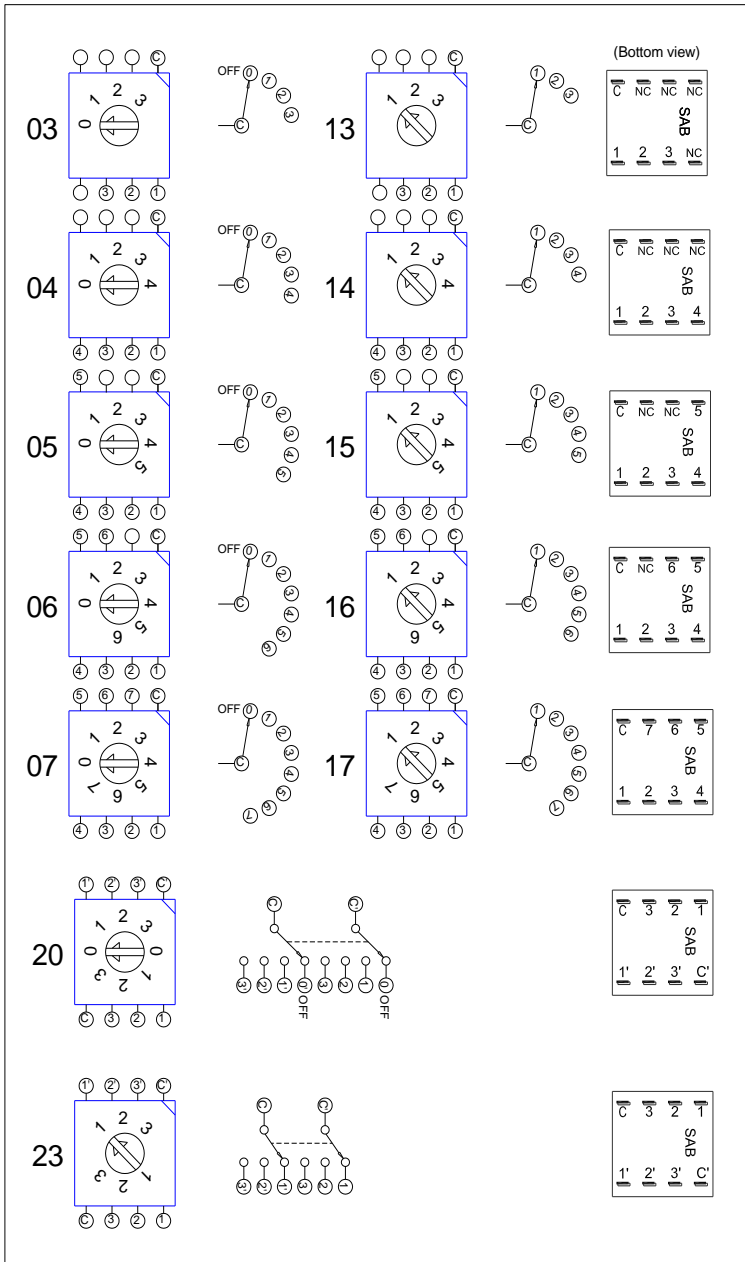


Rotor Style





Schematic & Terminal Connection



Package

P/N	Function Code	Quantity per Tube
RS8_H/T	03,04,05,06,07	50
RS8_H/T	13,14,15,16,17	50
RS8_H/T	20,23	50
RS8_S	03,04,05,06,07	50
RS8_S	13,14,15,16,17	50
RS8_S	20,23	50
RS8K_Y	03,04,05,06,07	45
RS8K_Y	13,14,15,16,17	45
RS8K_Y	20,23	45
P/N	Function Code	Quantity per Reel
RS8_0/1S-R	03,04,05,06,07	600
RS8_0/1S-R	13,14,15,16,17	600
RS8_0/1S-R	20,23	600
RS8_3S-R	03,04,05,06,07	350
RS8_3S-R	13,14,15,16,17	350
RS8_3S-R	20,23	350
RS8_7S-R	03,04,05,06,07	200
RS8_7S-R	13,14,15,16,17	200
RS8_7S-R	20,23	200
RS8_7H/T-R	03,04,05,06,07	140
RS8_7H/T-R	13,14,15,16,17	140
RS8_7H/T-R	20,23	140

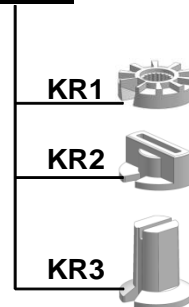
Dummy Terminals

3 positions	④⑤⑥⑦
4 positions	⑤⑥⑦
5 positions	⑥⑦
6 positions	⑦
7 positions	--

* NC= Dummy terminal

Knob Order Information

KR1



08

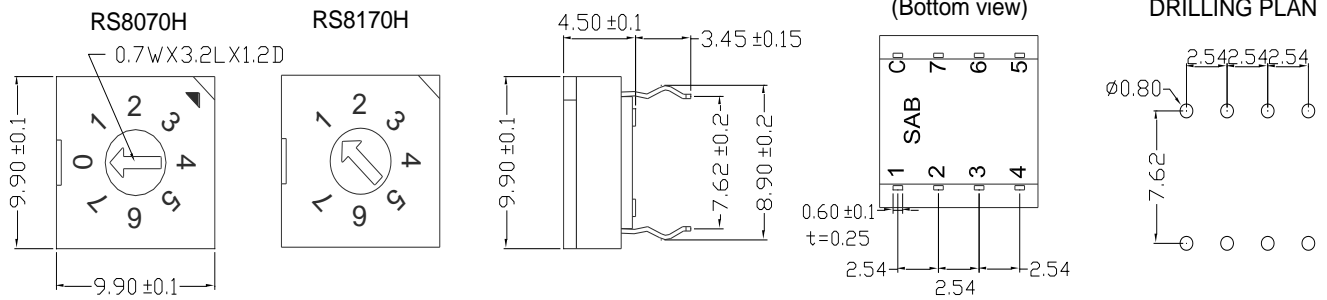
Knob Color

- 00 : Blue
- 02 : Green
- 03 : Light Grey
- 04 : Yellow
- 05 : Dark Grey
- 08 : Red
- 09 : Black

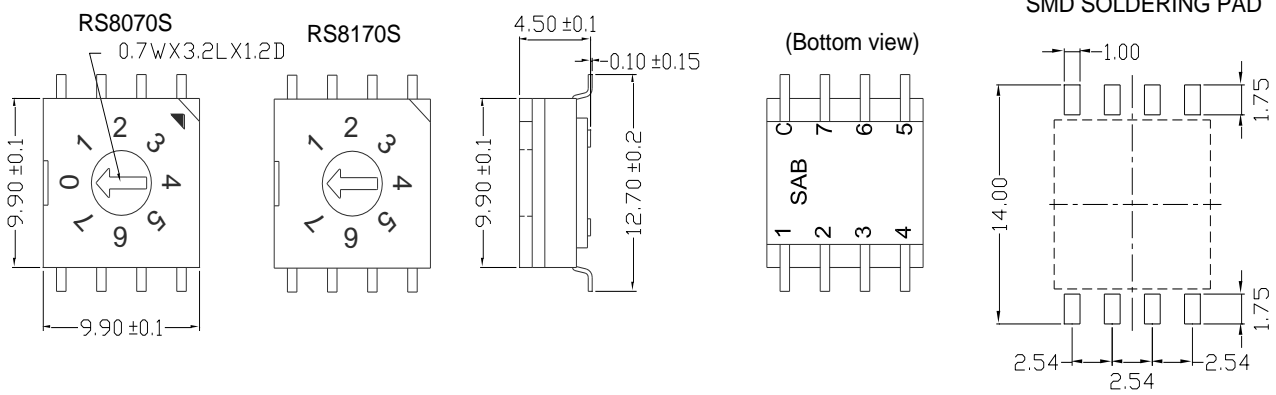


Outline Dimensions

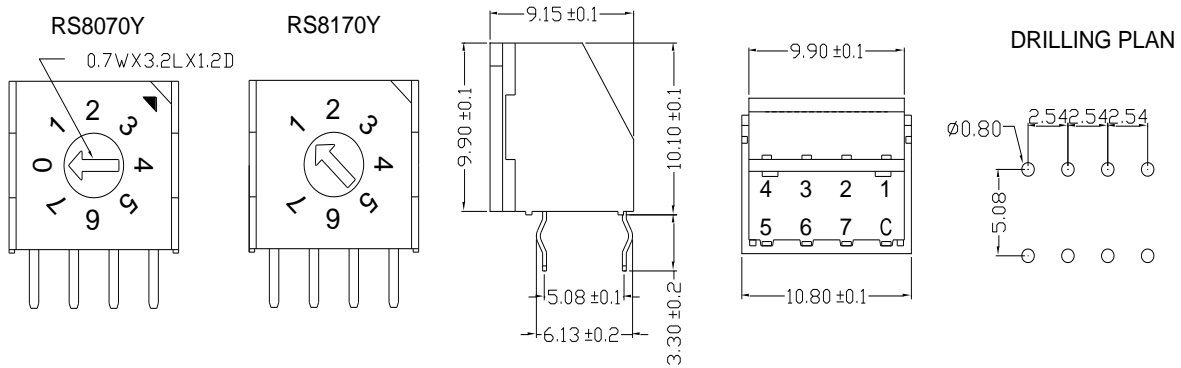
Thru-Hole



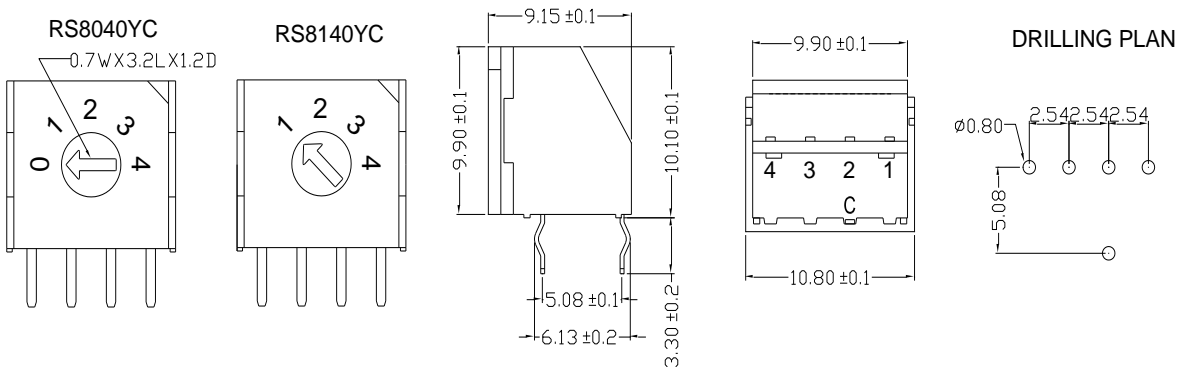
SMD



Right Angle 5.08mm (C vs Pin 1)



Right Angle 5.08mm (C vs Pin 2)



X-ON Electronics

Largest Supplier of Electrical and Electronic Components

Click to view similar products for [Rotary Switches](#) category:

Click to view products by [BIWIN](#) manufacturer:

Other Similar products are found below :

[71ESF30-05204N](#) [MC06L1NCGF](#) [84986-26](#) [PLR3251](#) [PLR3262](#) [A0142M2SP](#) [A019605](#) [A029303](#) [R2AA2133NNNN](#) [R2AA4455NNNN](#)
[RMS1224](#) [14-520.0360](#) [BCK1006](#) [HW1MS-0202-101](#) [A029101](#) [ACSNO-129-YB-C1014](#) [ACSNO-134-RR-YB-C1005](#) [ACSNO-353-SB-](#)
[C3016](#) [1825537-4](#) [T505](#) [T505E](#) [H10207RR01Q](#) [M3786/39-4ZC](#) [M3786/4-0630](#) [M3786/4-3044](#) [M3786/4-5256](#) [MC6CX1A502X009](#)
[44MBS60-04-2-03N](#) [44MG90-02-1-02N](#) [50KMT90-01-2-02N](#) [55DP30-01-2-AJN](#) [55P30-01-1-12S-C](#) [DKPT65105291](#) [5-1825033-1](#)
[08MY231140](#) [101402A](#) [7813S-1-051E](#) [801775-2B](#) [55P30-01A12S](#) [55P36-01-1-10N-C](#) [55P36-01A10N](#) [55SP30-01-1-07N](#) [M3786/4-5034](#)
[M3786/4-1150L](#) [M3786/4-1256L](#) [T10012E](#) [447610-1](#) [55D36-01-2-AJN](#) [55DP36-01-1-AJN](#) [M3786/4-5891](#)