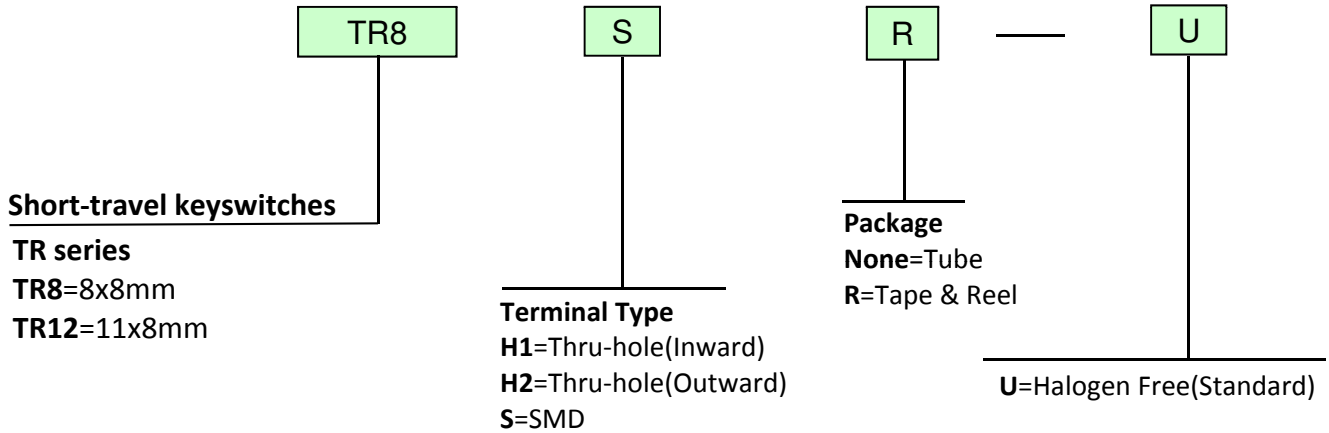


MODEL	SPECIFICATION		Page
TR series Short-travel Keyswitches	Short-travel Keyswitches RoHS&REACH Compliant & Halogen Free	SP-001	1/3

Order Information

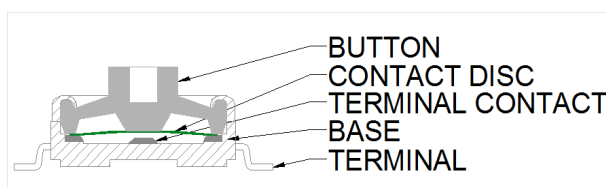


Specifications

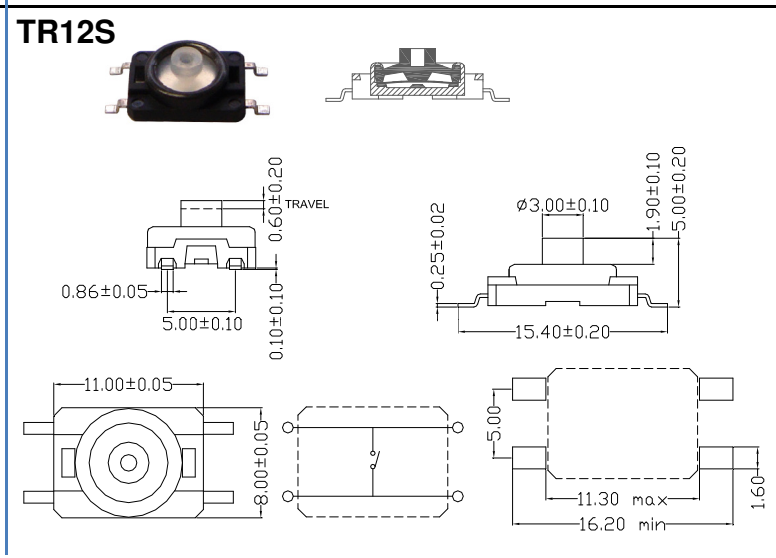
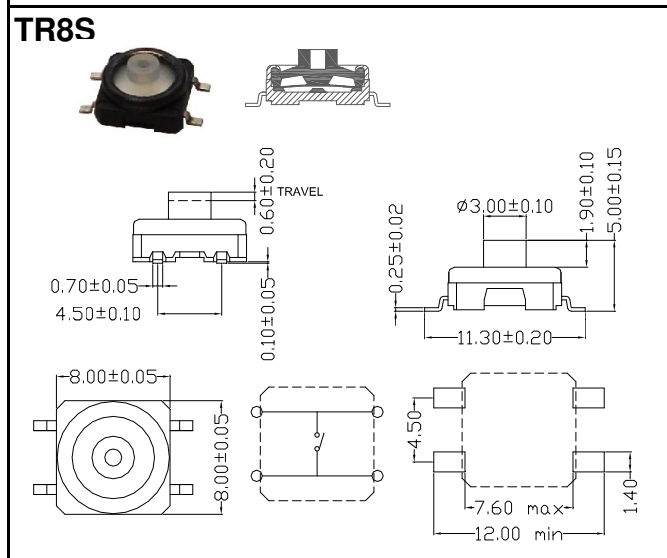
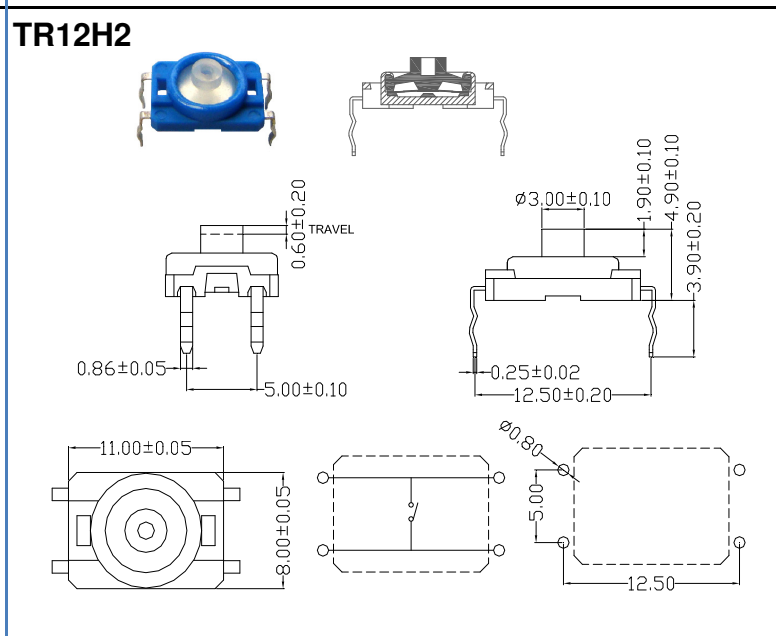
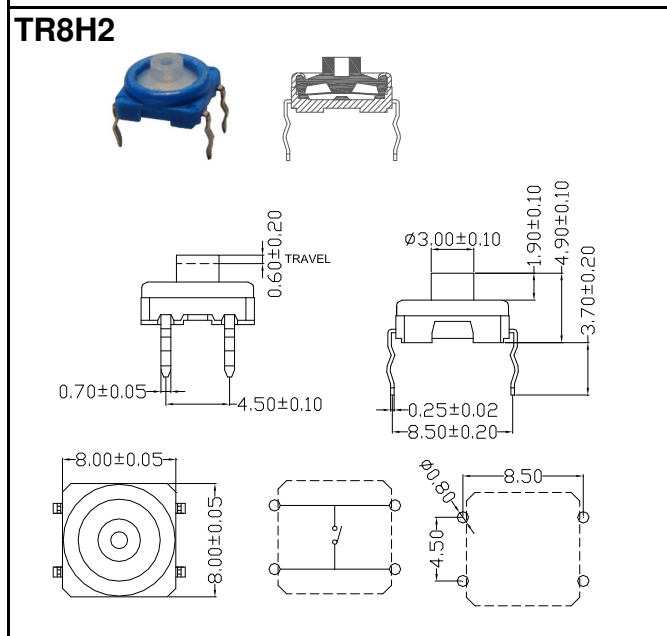
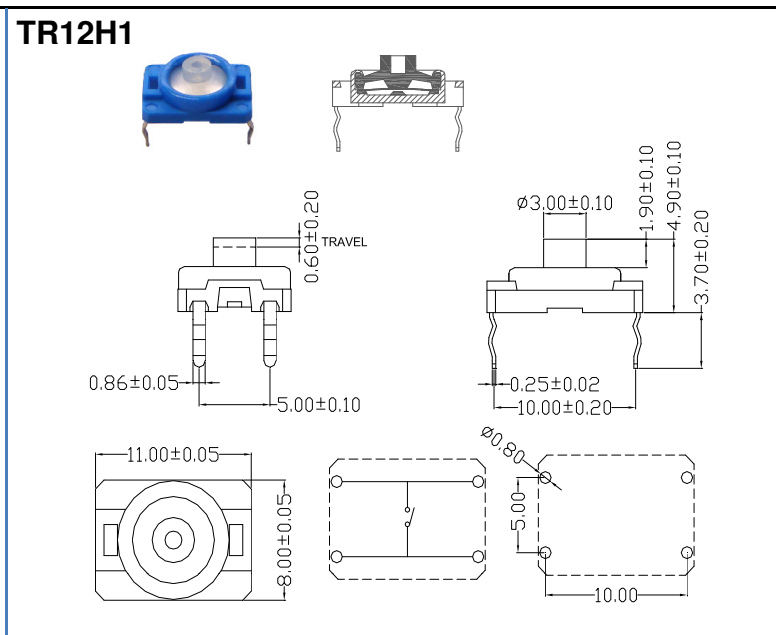
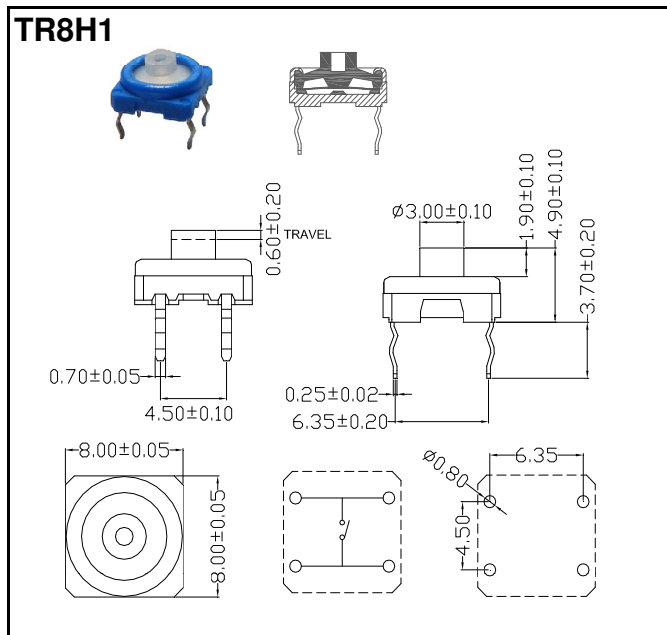
◆ Contact Rating42V AC/DC, 100mA
◆ Contact Resistance100mΩ
◆ Insulation Resistance100mΩ at 100 VDC
◆ Dielectric Strength250VDC, 50Hz for the duration of 1 minute
◆ Operating Temperature-40°C to+ 80°C
◆ Mechanical Life5,000,000 operations
◆ Push Force3.5N±0.6N
◆ Travel0.60±0.20mm
◆ Mountingon pc-board
◆ WaterproofMeet IP67

Materials:

◆ Button Silicone, Natural color
◆ Base Thru-hole Thermoplastic UL 94 rate, Blue
SMD Thermoplastic UL 94 rate, Black
◆ Contact Disc. Stainless steel, Silver Plated
◆ Terminal Contact Brass, 1u" Gold-plated
◆ Terminal Brass, Tin-plated



MODEL	SPECIFICATION	Page
TR series Short-travel Keyswitches	Short-travel Keyswitches RoHS&REACH Compliant & Halogen Free	SP-002 2/3



MODEL	SPECIFICATION		Page
TR series	Short-travel Keyswitches	SP-003	3/3
Short-travel Keyswitches	RoHS&REACH Compliant & Halogen Free		

Soldering Information

- ◆ Hand Soldering
Soldering iron 30W or under at 350°C for 3 sec max or at 270°C for 5 sec max.
- ◆ Reflow Soldering
Please refer below "Classification Reflow Soldering Profiles"
Available 1 times process
- ◆ Wave Soldering
Please refer below "Classification Wave Soldering Profiles"

The table copy from IPC/JEDEC J-STD-020 D.1

Profile Feature	Pb-Free Assembly
Preheat / Soak	
Temperature Min (T_{smin})	150°C
Temperature Max (T_{smax})	200°C
Time(t_s) from (T_{smin} to T_{smax})	60 ~120 seconds
Ramp-up Rate (T_L to T_p)	3°C/second max
Liquidous temperature (T_L)	217°C
Time (t_L) maintained above to T_L	60 ~ 150 seconds
Peak package body temperature (T_p)	For users T_p must not exceed the Classification temp:250°C (Package Thickness>2.5mm) For suppliers T_p must equal or exceed the Classification temp:250°C (Package Thickness>2.5mm)
Time (t_p) within 5°C of specified classification temperature (T_c)	30 seconds
Ramp-Down Rate (T_p to T_L)	6°C/second max
Time 25°C to Peak Temperature	8 minutes max
* Tolerance for peak profile temperature(T_p) is defined as a supplier minimum and a user maximum	

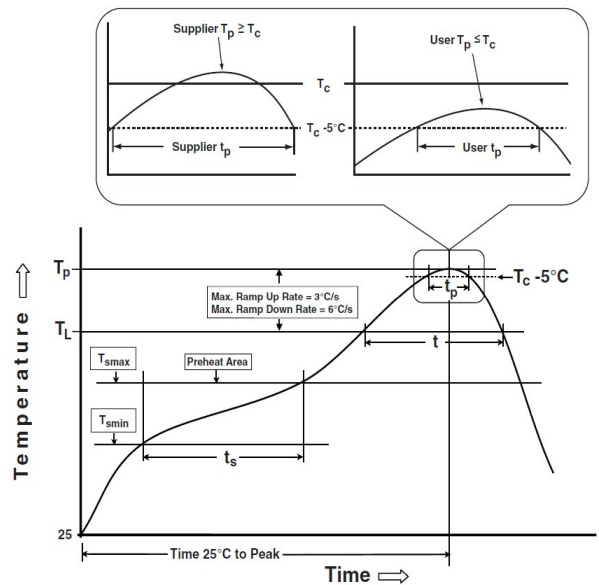
- Note 1: All temperatures refer to topside of the package, measured on the package body surface.
- Note 2: Time within 5 °C of actual peak temperature (t_p) specified for the reflow profiles is a "supplier" minimum and "user" maximum.

Box Dimension:

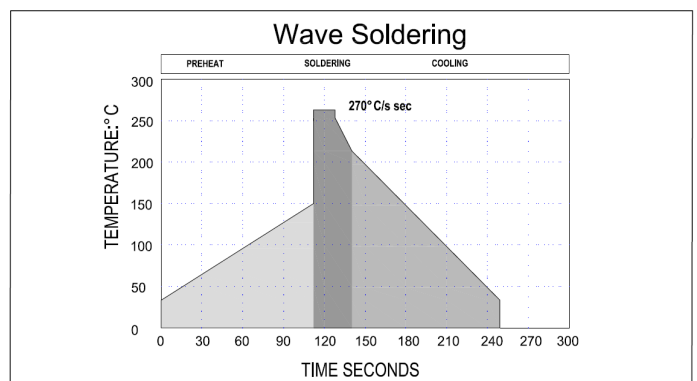
- ◆ Tube57.0cm x 13.0cm x 12.5cm
- ◆ Reel34.0cm x 13.0cm x 15.5cm

- ◆ Tube
- 2 Box.....58.5cm x 28.0cm x 15.0cm
- 4 Box.....58.5cm x 28.0cm x 27.0cm
- ◆ Reel36.0cm x 27.5cm x 37.0cm

Classification Reflow Soldering



Classification Wave Soldering



Maximum dwell time in the solder wave (270°C) shall not exceed 5 seconds.

X-ON Electronics

Largest Supplier of Electrical and Electronic Components

Click to view similar products for [Pushbutton Switches](#) category:

Click to view products by [BIWIN](#) manufacturer:

Other Similar products are found below :

[8971K1133](#) [LW2L-M1C20M-A](#) [01-153.025](#) [M22-D-R-GB0/K11](#) [67021K512](#) [701PB580](#) [7199K101](#) [810K12910](#) [810KSV30B](#) [FLT 2U EE](#)
[01A](#) [MML21EA2ADK](#) [MML21KA3ABK](#) [MML23KW3AA01W](#) [8418K2](#) [8442K3](#) [8450K1](#) [860K11911T01A](#) [861901](#) [861K11911T01A07](#)
[861K13810T00A14](#) [861K13911](#) [8646AB6X718UL](#) [9533CD4+U574+U4922](#) [99-450.837](#) [99-453.837](#) [A2PMA1X03EC56](#) [A3A-7310](#) [A3A-](#)
[7340](#) [12037A2ULCSA](#) [1203A2UL](#) [ABGW410-R](#) [1211390004](#) [ABN400-R](#) [121382](#) [1213C3](#) [HE3B-M2](#) [1211500044](#) [121194](#) [1212MRA](#)
[1232A6NF](#) [121489](#) [1223A2ULCSA](#) [D5P-MT4](#) [13435AG](#) [13445AD29GX768](#) [AG23-L2](#) [AH165-2SGLG1TE3](#) [AH165-TGFY22](#) [AH165-](#)
[TGL5Y11E3](#) [AH165-TGLR11AA3](#)