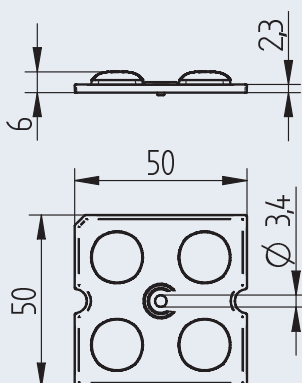


## OptiSquare 2x2 - Extra wide

35.104 · 2x2 · Optics for Highbay and area lighting



**OptiSquare 2x2 - Extra wide**  
Optics for Highbay and area lighting  
for use with LED modules according to Zhaga Book 15

**Light distribution: Extra wide**

Material: PMMA (clear)  
Screw fixing: for screws M3  
Maximum torque: 0.5 Nm

Suitable for Philips Fortimo Fast Flex LED 2x6 DA HE and LED modules with 12.5 mm pitch according to Zhaga Book 15

**Typical application:**

- Car parks and parking area lighting
- Perimeter of car parks and parking areas
- Industrial lighting such as high-bay warehouses, packaging and shipping halls, production halls

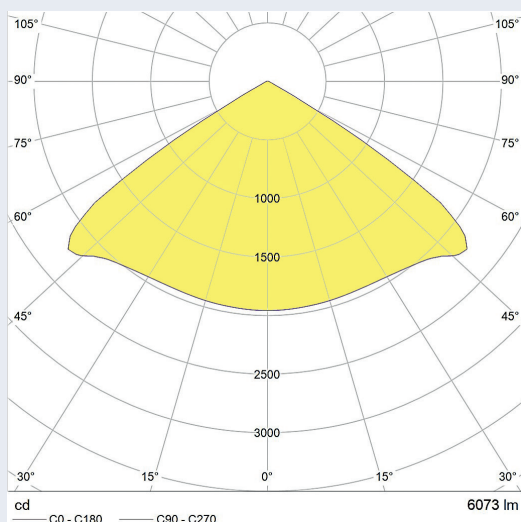
Height	6 mm
Width	50 mm
Length	50 mm
Type of fixing	Screw fixing: (0.5 Nm) screws M3
LED Type	Philips Fortimo Fast Flex LED 2x6 DA HE and LED modules with 12.5 mm pitch according to Zhaga Book 15
Pitch distance	12.5 mm
Material	PMMA
Colour	clear
Lense surface	High gloss
Permissible application temperature	-40 °C up to + 80 °C

Packaging information for part no. <b>35.104.1004.85</b>	
Weight per piece	8 g
Quantity per tray	120 pieces
Weight per tray	1.383 kg
Trays per cardboard	7 pieces
Total quantity	840 pieces
Dimensions cardboard (L x B x H)	400 x 400 x 400 mm
Total weight	--- kg

The presented information are for reference only. All lighting parameters are typical values.  
The light distribution depends on the used type of LEDs, position tolerance, chip size and used colour.

-40°C  
+80°C

CAD



Light distribution: Extra wide  
measured with Philips Fortimo Fast Flex LED 2x6 DA HE

Efficiency: 97%

## X-ON Electronics

Largest Supplier of Electrical and Electronic Components

*Click to view similar products for [LED Lighting Lenses](#) category:*

*Click to view products by [BJB](#) manufacturer:*

Other Similar products are found below :

[LL01ZZ-EX25L06-M2](#) [C12231\\_LENA-FRESNEL-LENS](#) [LL01CR-OT32L06-M2](#) [LL01CR-CEN38L02](#) [C17295\\_ILONA-ZOOM](#)  
[2200001315](#) [2200001328](#) [10003](#) [10003/15](#) [10048](#) [10049](#) [10108](#) [10510](#) [12667](#) [C14165\\_STRADA-2X2-ME-WIDE2](#) [C14642\\_FLORENCE-](#)  
[1R-UP](#) [CAY046/55](#) [OS-LRI2015X45S](#) [OSOLRA2015M](#) [PG1C-NX36](#) [PM2A-SXV1](#) [FC2231-0000-0050-L](#) [FC2231-0000-0100-L](#) [2328823-](#)  
[1](#) [C14116\\_STRADA-2X2-PX](#) [OPC11WIDE](#) [OPAA-1-WSL](#) [OPK2-1-003](#) [C11916\\_SATU-S](#) [C15427\\_FLORENTINA-1-SHD-60](#)  
[C15800\\_MOLLY-S](#) [C15802\\_MOLLY-W](#) [F15176\\_ANGELETTE-LENS](#) [F15523\\_LINNEA-90](#) [C16503\\_STRADELLA-16-T3](#)  
[F15524\\_LINNEA-60](#) [10758](#) [10192](#) [10193](#) [10194](#) [10195](#) [10196](#) [10197](#) [10198](#) [10208](#) [10209](#) [10398](#) [10403](#) [10412](#) [10414](#)