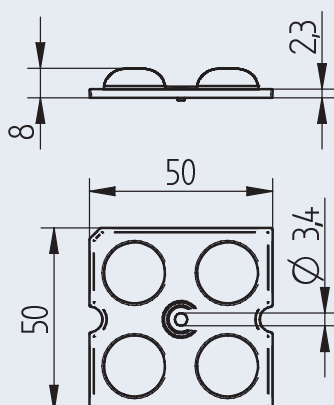


OptiSquare 2x2 - Wide

35.104 · 2x2 · Optics for Highbay and area lighting



part no.	wt.	pkg.
35.104.1009.85	9.7 g	120

OptiSquare 2x2 - Wide
Optics for Highbay and area lighting
for use with LED modules according to Zhaga Book 15

Light distribution: Wide

Material: PMMA (clear)
Screw fixing: for screws M3
Maximum torque: 0.5 Nm

Suitable for Philips Fortimo Fast Flex LED 2x6 / 740 DA HE and LED modules with 25.4 mm pitch according to Zhaga Book 15

Typical application:

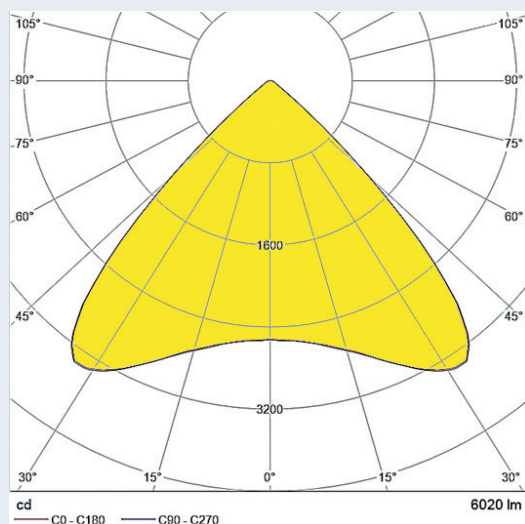
- Car parks and parking area lighting
- Perimeter of car parks and parking areas
- Industrial lighting such as high-bay warehouses, packaging and shipping halls, production halls

Height	8 mm
Width	50 mm
Length	50 mm
Type of fixing	Screw fixing: (0.5 Nm) screws M3
LED Type	Philips Fortimo Fast Flex LED 2x6 / 740 DA HE and LED modules with 25.4 mm pitch according Zhaga Book 15
Pitch distance	25.4 mm
Material	PMMA
Colour	clear
Lens surface	High gloss
Permissible application temperature	-40 °C up to + 80 °C

The presented information are for reference only. All lighting parameters are typical values.
The light distribution depends on the used type of LEDs, position tolerance, chip size and used colour.

-40°C
+80°C

CAD



Light distribution: Wide
measured with Philips Fortimo Fast Flex LED 2x6 / 740 DA HE

Efficiency: 97%

X-ON Electronics

Largest Supplier of Electrical and Electronic Components

Click to view similar products for [LED Lighting Lenses](#) category:

Click to view products by [BJB](#) manufacturer:

Other Similar products are found below :

[LL01ZZ-EX25L06-M2](#) [C12231_LENA-FRESNEL-LENS](#) [LL01CR-OT32L06-M2](#) [LL01CR-CEN38L02](#) [C17295_ILONA-ZOOM](#)
[2200001315](#) [2200001328](#) [10003](#) [10003/15](#) [10048](#) [10049](#) [10108](#) [10510](#) [12667](#) [C14165_STRADA-2X2-ME-WIDE2](#) [C14642_FLORENCE-](#)
[1R-UP](#) [CAY046/55](#) [OS-LRI2015X45S](#) [OSOLRA2015M](#) [PG1C-NX36](#) [PM2A-SXV1](#) [FC2231-0000-0050-L](#) [FC2231-0000-0100-L](#) [2328823-](#)
[1](#) [C14116_STRADA-2X2-PX](#) [OPC11WIDE](#) [OPAA-1-WSL](#) [OPK2-1-003](#) [C11916_SATU-S](#) [C15427_FLORENTINA-1-SHD-60](#)
[C15800_MOLLY-S](#) [C15802_MOLLY-W](#) [F15176_ANGELETTE-LENS](#) [F15523_LINNEA-90](#) [C16503_STRADELLA-16-T3](#)
[F15524_LINNEA-60](#) [10758](#) [10192](#) [10193](#) [10194](#) [10195](#) [10196](#) [10197](#) [10198](#) [10208](#) [10209](#) [10398](#) [10403](#) [10412](#) [10414](#)