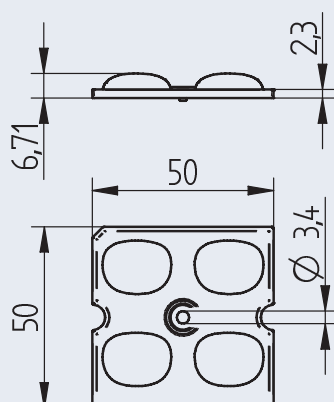
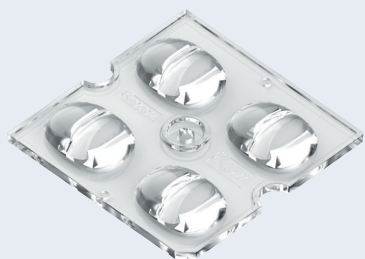


## OptiSquare 2x2 - IESNA Type 3 M Cutoff

35.104 · 2x2 · Optics for street and area lighting



part no. wt. pkg.  
**35.104.1012.85** 8.8 g 120

**OptiSquare 2x2 - IESNA Type 3 M Cutoff**  
 Optics for street and area lighting  
 for use with LED modules according to Zhaga Book 15

**Light distribution: IESNA Type 3 M Cutoff**

Material: PMMA (clear)  
 Screw fixing: for screws M3  
 Maximum torque: 0.5 Nm

Suitable for Philips Fortimo Fast Flex LED 2x6 / 740 DA HE and LED modules with 25.4 mm pitch according to Zhaga Book 15

**Typical application:**

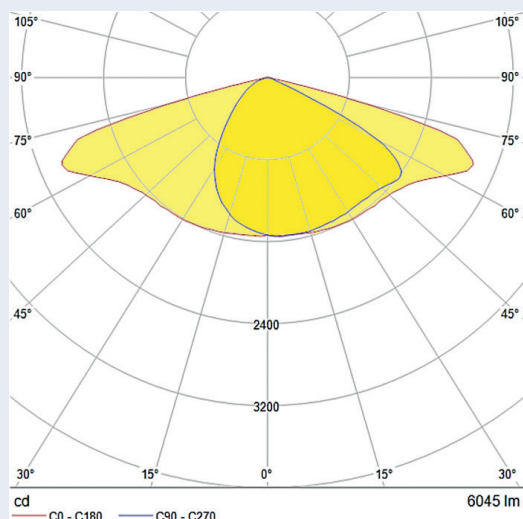
- Walkways, paths and sidewalks
- Entrance roadways
- Loading and access ramps
- General road and street lighting
- Car parks and parking area lighting
- Perimeter of parking areas
- Center of roadways and intersections

Height	6.71 mm
Width	50 mm
Length	50 mm
Type of fixing	Screw fixing: (0.5 Nm) screws M3
LED Type	Philips Fortimo Fast Flex LED 2x6 / 740 DA HE and LED modules with 25.4 mm pitch according Zhaga Book 15
Pitch distance	25.4 mm
Material	PMMA
Colour	clear
Lens surface	High gloss
Permissible application temperature	-40 °C up to + 80 °C

The presented information are for reference only. All lighting parameters are typical values.  
 The light distribution depends on the used type of LEDs, position tolerance, chip size and used colour.

-40°C  
 +80°C

CAD



Light distribution: IESNA Type 3 M Cutoff  
 measured with Philips Fortimo Fast Flex LED 2x6 / 740 DA HE

Efficiency: 97%

## X-ON Electronics

Largest Supplier of Electrical and Electronic Components

*Click to view similar products for [LED Lighting Lenses](#) category:*

*Click to view products by [BJB](#) manufacturer:*

Other Similar products are found below :

[LL01ZZ-EX25L06-M2](#) [C12231\\_LENA-FRESNEL-LENS](#) [LL01CR-OT32L06-M2](#) [LL01CR-CEN38L02](#) [C17295\\_ILONA-ZOOM](#)  
[2200001315](#) [2200001328](#) [10003](#) [10003/15](#) [10048](#) [10049](#) [10108](#) [10510](#) [12667](#) [C14165\\_STRADA-2X2-ME-WIDE2](#) [C14642\\_FLORENCE-](#)  
[1R-UP](#) [CAY046/55](#) [OS-LRI2015X45S](#) [OSOLRA2015M](#) [PG1C-NX36](#) [PM2A-SXV1](#) [FC2231-0000-0050-L](#) [FC2231-0000-0100-L](#) [2328823-](#)  
[1](#) [C14116\\_STRADA-2X2-PX](#) [OPC11WIDE](#) [OPAA-1-WSL](#) [OPK2-1-003](#) [C11916\\_SATU-S](#) [C15427\\_FLORENTINA-1-SHD-60](#)  
[C15800\\_MOLLY-S](#) [C15802\\_MOLLY-W](#) [F15176\\_ANGELETTE-LENS](#) [F15523\\_LINNEA-90](#) [C16503\\_STRADELLA-16-T3](#)  
[F15524\\_LINNEA-60](#) [10758](#) [10192](#) [10193](#) [10194](#) [10195](#) [10196](#) [10197](#) [10198](#) [10208](#) [10209](#) [10398](#) [10403](#) [10412](#) [10414](#)