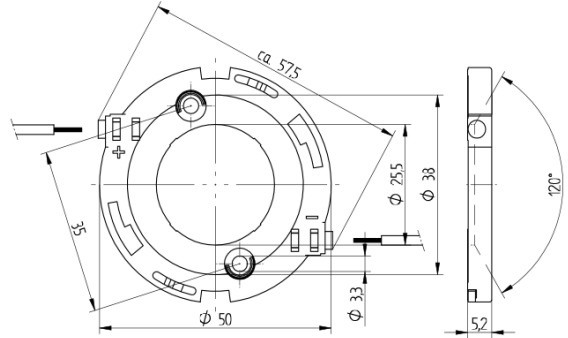
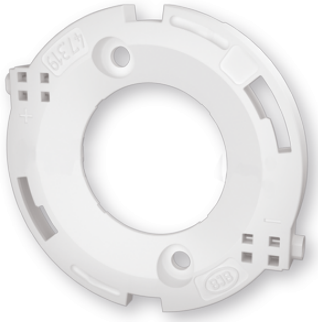


COB connector Ø 50 mm for LED array 28 x 28 mm 47.319.2030.50



0,25 - 0,5 mm²



0,5 mm²

COB connector Ø 50 mm for LED array 28 x 28 mm 47.319.2030.50



DESCRIPTION

With integrated reflector interface
Screw mounting: for screws M3 and locking washer
Max. torque for screw fixing 0.5 Nm*
Strip length: 7-1 mm
Polarity of LED must be observed
Specifications of LED manufacturer must be observed
cURus: For limited applications
VDE-Reg. No. E289
*Please note the max torque of the COB manufacturer

Packaging quantity:	504.000
Product name:	COB connector Ø 50 mm for LED array 28 x 28 mm
Packaging type:	Bag
Country of origin:	DE
Mounting method 1:	Screw mount
Mounting method 2:	P2F fixing with 28.902.-102
Prefixation of COB:	Yes
Material:	Housing: PBT Contacts: CuSn
LED manufacturer:	Seoul Semiconductor, iLED, GLBTECH, Philips, Xicato, LG Innotek, Sunpu, Prolight Opto, Luminus, Lextar, Itswell, Edison, Citizen, Bridgelux, Cree
LED Typ:	PB40U03, SAW x2296A, LEMWM28-40W, SLM 28 x 28, PB20H01, COB-Q series, SAW x229AAA, PB38U02, G7, 37W L-COB G2, CLM-22 / CXM-22, V22, PB38H01, PB38V03, SP22N-4090, Opto 40W, ZC25/40/60, GME2821, XOB23, CLU04X, CLU04X / 73X, CHM-14, PB30U03, PB20U02, CMU 2236, PB40H02, PACG 110, SAW x2298A
Conductor cross-section:	0.5 mm ²
Approval:	cURus
cULus file no.:	E-345385
Rating:	3A / 150 VDC
Weight:	5
Pkg.:	504

Suitable for the following LED models:

LED Manufacturer	LED Type	More Information
Seoul Semiconductor	SAW x2296A	http://www.seoulsemicon.com
Itswell	COB-Q series	http://www.itswell.com
Citizen	CLU04X / 73X	http://ce.citizen.co.jp
Seoul Semiconductor	ZC25/40/60	http://www.seoulsemicon.com
Lextar	PB20H01	http://www.lextar.com
Citizen	CLU04X	http://ce.citizen.co.jp
Philips	SLM 28 x 28	http://www.lighting.philips.co.uk/oem-emea
LG Innotek	LEMWM28-40W	http://ledlighting.lginnotek.com
Sunpu	G7	http://www.sunpuled.com

X-ON Electronics

Largest Supplier of Electrical and Electronic Components

Click to view similar products for [LED Lighting Mounting Accessories](#) category:

Click to view products by [BJB](#) manufacturer:

Other Similar products are found below :

[C16142_HEKLA-SOCKET-K](#) [3SU1401-1BG20-1AA0](#) [3SU1900-0BC31-0NB0](#) [ES16-RT](#) [1SFA616921R2042](#) [1SFA616921R2131](#)
[1SFA616921R2133](#) [1SFA616921R2143](#) [1SFA611621R1093](#) [90100002](#) [B8910020](#) [D3980022](#) [E3990022](#) [E3990040](#) [V4840019](#) [V4850019](#)
[CABI12 E BK 1M SET PRM](#) [FLAT8 H/U BK 1M SET PRM](#) [BEGTIN12 J/S BK 1M SET PRM](#) [1-2213678-6](#) [C16791_CLAMP-Z45-A](#)
[F17250_SOLDER-CLIP-A](#) [CM22-4-20MA](#) [CM22-R10K-MT](#) [CM22-R1K](#) [CM22-R50K](#) [CM22-R5K-MT](#) [CM22-SLR](#) [10465](#) [M22-A](#) [M22-](#)
[CK11](#) [M22-CK20](#) [M22G-XGPV](#) [M22-K01](#) [M22-LCH-W](#) [M22-LC-R](#) [M22-LED230-R](#) [M22-LED230-W](#) [M22-LEDC230-G](#) [M22-LEDC-G](#)
[M22-LEDC-W](#) [M22-LED-G](#) [M22-LED-W](#) [M22-L-G](#) [M22-LH-G](#) [M22-LH-R](#) [M22-LH-W](#) [M22-L-R](#) [M22-L-W](#) [M22-L-X](#)