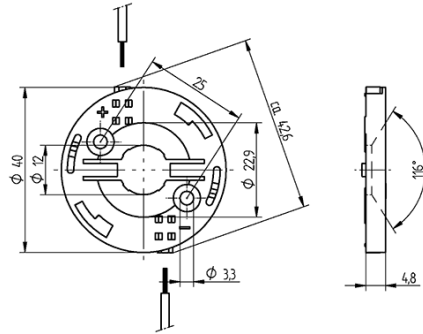


# COB connector Ø 40 mm for LED array 13.5 x 13.5 mm 47.319.6060.50



0,5 mm<sup>2</sup>



0,5 mm<sup>2</sup>

# COB connector Ø 40 mm for LED array 13.5 x 13.5 mm 47.319.6060.50



## DESCRIPTION

With integrated reflector interface  
Screw mounting: for screws M3 and locking washer  
Max. torque for screw fixing 0.5 Nm\*  
Strip length: 7-1 mm  
Polarity of LED must be observed  
Specifications of LED manufacturer must be observed  
cURus: For limited applications  
VDE-Reg. No. E289  
\*Please note the max torque of the COB manufacturer

Product name:	COB connector Ø 40 mm for LED array 13.5 x 13.5 mm
Mounting method 1:	Screw mount
Mounting method 2:	P2F fixing with 28.902.-102
Prefixation of COB:	Yes
Material:	Housing: PBT Contacts: CuSn
LED manufacturer:	Luminus, Cree, LG Innotek, Vossloh-Schwabe, Sunpu, Seoul Semiconductor, Samsung, Prolight Opto, Xicato, Liteon, Itswell, Edison, Citizen, Bridgelux, Everlight
LED Typ:	CHM-6, COB-B series, CIM-9 / CXM-9 / CLM-9, V10 - Gen. 7, Opto 9W, Xuan1313, M082, LC003D / 6D / 9D / 13D, ZC6, DMC 122, CMU 1013, 6W L-COB G2, LES 9.8 (13.5 x 13.5 x 0.9 mm), PACB 022, G16, CLU02X / 7AX / 7BX / 70X, CMU 1003, CMU 1006, CMU 1010, XOB04
Conductor cross-section:	0.5 mm <sup>2</sup>
Approval:	cURus
cULus file no.:	E-345385
Rating:	Rating: 3A / 150 VDC
Weight:	3
Pkg.:	504

## Suitable for the following LED models:

LED Manufacturer	LED Type	More Information
Prolight Opto	PACB 022	<a href="http://www.prolightopto.com">http://www.prolightopto.com</a>
Vossloh-Schwabe	DMC 122	<a href="http://www.vossloh-schwabe.com">http://www.vossloh-schwabe.com</a>
Citizen	CLU02X / 7AX / 7BX / 70X	<a href="http://ce.citizen.co.jp">http://ce.citizen.co.jp</a>
Everlight	Xuan1313	<a href="http://www.everlight.com">http://www.everlight.com</a>
Itswell	COB-B series	<a href="http://www.itswell.com">http://www.itswell.com</a>
Samsung	LC003D / 6D / 9D / 13D	<a href="http://www.samsung.com">http://www.samsung.com</a>
Edison	Opto 9W	<a href="http://www.edison-opto.com.tw">http://www.edison-opto.com.tw</a>
Seoul Semiconductor	ZC6	<a href="http://www.seoulsemicon.com">http://www.seoulsemicon.com</a>
Sunpu	G16	<a href="http://www.sunpuled.com">http://www.sunpuled.com</a>
Luminus	CIM-9 / CXM-9 / CLM-9	<a href="http://www.luminus.com">http://www.luminus.com</a>
Liteon	M082	<a href="http://optoelectronics.liteon.com">http://optoelectronics.liteon.com</a>
Bridgelux	V10 - Gen. 7	<a href="http://www.bridgelux.com">http://www.bridgelux.com</a>

## X-ON Electronics

Largest Supplier of Electrical and Electronic Components

*Click to view similar products for [LED Lighting Mounting Accessories](#) category:*

*Click to view products by [BJB](#) manufacturer:*

Other Similar products are found below :

[C16142\\_HEKLA-SOCKET-K](#) [3SU1401-1BG20-1AA0](#) [3SU1900-0BC31-0NB0](#) [ES16-RT](#) [1SFA616921R2042](#) [1SFA616921R2131](#)  
[1SFA616921R2133](#) [1SFA616921R2143](#) [1SFA611621R1093](#) [90100002](#) [B8910020](#) [D3980022](#) [E3990022](#) [E3990040](#) [V4840019](#) [V4850019](#)  
[CABI12 E BK 1M SET PRM](#) [FLAT8 H/U BK 1M SET PRM](#) [BEGTIN12 J/S BK 1M SET PRM](#) [1-2213678-6](#) [C16791\\_CLAMP-Z45-A](#)  
[F17250\\_SOLDER-CLIP-A](#) [CM22-4-20MA](#) [CM22-R10K-MT](#) [CM22-R1K](#) [CM22-R50K](#) [CM22-R5K-MT](#) [CM22-SLR](#) [10465](#) [M22-A](#) [M22-](#)  
[CK11](#) [M22-CK20](#) [M22G-XGPV](#) [M22-K01](#) [M22-LCH-W](#) [M22-LC-R](#) [M22-LED230-R](#) [M22-LED230-W](#) [M22-LEDC230-G](#) [M22-LEDC-G](#)  
[M22-LEDC-W](#) [M22-LED-G](#) [M22-LED-W](#) [M22-L-G](#) [M22-LH-G](#) [M22-LH-R](#) [M22-LH-W](#) [M22-L-R](#) [M22-L-W](#) [M22-L-X](#)