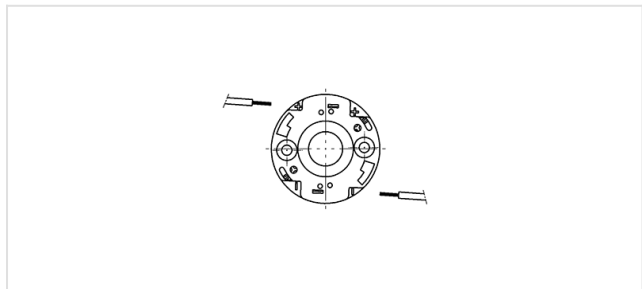
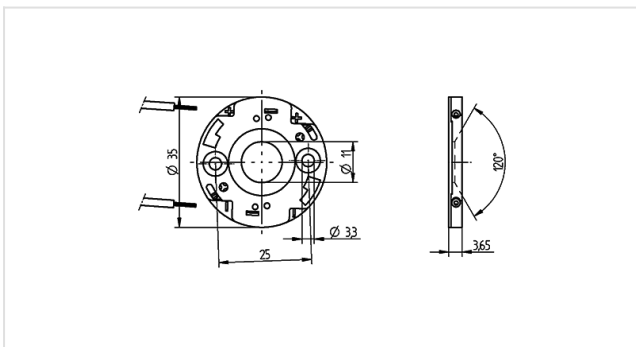




Technik für Licht  
Komponenten · Optik · Automation

# 47.360.1030

Connectors for COBs  
47.360 - Slim Spotlight Connectors and Accessories



Part no.:

47.360.1030.50



8.0 + 1 mm



0,5 mm<sup>2</sup>



LED-LINE



T 110



0,35-0,5 mm<sup>2</sup>



## Description

- With integrated COB holder and interface for reflectors 47.935 and optics 35.201
- Easy pre-assembly of LED
- Screw mounting: for screws M3 and locking washer
- Max. torque for screw fixing 0.5 Nm\*
- Strip length: 8+1 mm
- With wire release function
- Polarity symbols of connector and LED must be observed in assembly
- Specification of LED manufacturer must be observed
- In a series connection of LED modules, the air gap and creepage distances has to be sized that each module covers the total voltage of the series connection
- \*Please note the max torque of the COB manufacturer

<b>Symbol Abisolierlänge:</b>	8.0 + 1 mm
<b>Product name:</b>	Spotlight connector Ø 35 mm for COB LEDs with LED array 15.85 x 15.85 mm
<b>LED type:</b>	CXA/CXB 15xx, H9
<b>Mounting method 1:</b>	Screw mount
<b>Mounting method 2:</b>	P2F-Befestigung mit 28.902.-102
<b>Material:</b>	Housing: PBT Contacts: CuSn
<b>Weight:</b>	2.9
<b>Rating:</b>	3A / 150 VDC
<b>Pkg.:</b>	441

## X-ON Electronics

Largest Supplier of Electrical and Electronic Components

*Click to view similar products for [LED Lighting Mounting Accessories](#) category:*

*Click to view products by [BJB](#) manufacturer:*

Other Similar products are found below :

[C16142\\_HEKLA-SOCKET-K](#) [3SU1401-1BG20-1AA0](#) [3SU1900-0BC31-0NB0](#) [ES16-RT](#) [1SFA616921R2042](#) [1SFA616921R2131](#)  
[1SFA616921R2133](#) [1SFA616921R2143](#) [1SFA611621R1093](#) [90100002](#) [B8910020](#) [D3980022](#) [E3990022](#) [E3990040](#) [V4840019](#) [V4850019](#)  
[CABI12 E BK 1M SET PRM](#) [FLAT8 H/U BK 1M SET PRM](#) [BEGTIN12 J/S BK 1M SET PRM](#) [1-2213678-6](#) [C16791\\_CLAMP-Z45-A](#)  
[F17250\\_SOLDER-CLIP-A](#) [CM22-4-20MA](#) [CM22-R10K-MT](#) [CM22-R1K](#) [CM22-R50K](#) [CM22-R5K-MT](#) [CM22-SLR](#) [10465](#) [M22-A](#) [M22-](#)  
[CK11](#) [M22-CK20](#) [M22G-XGPV](#) [M22-K01](#) [M22-LCH-W](#) [M22-LC-R](#) [M22-LED230-R](#) [M22-LED230-W](#) [M22-LEDC230-G](#) [M22-LEDC-G](#)  
[M22-LEDC-W](#) [M22-LED-G](#) [M22-LED-W](#) [M22-L-G](#) [M22-LH-G](#) [M22-LH-R](#) [M22-LH-W](#) [M22-L-R](#) [M22-L-W](#) [M22-L-X](#)