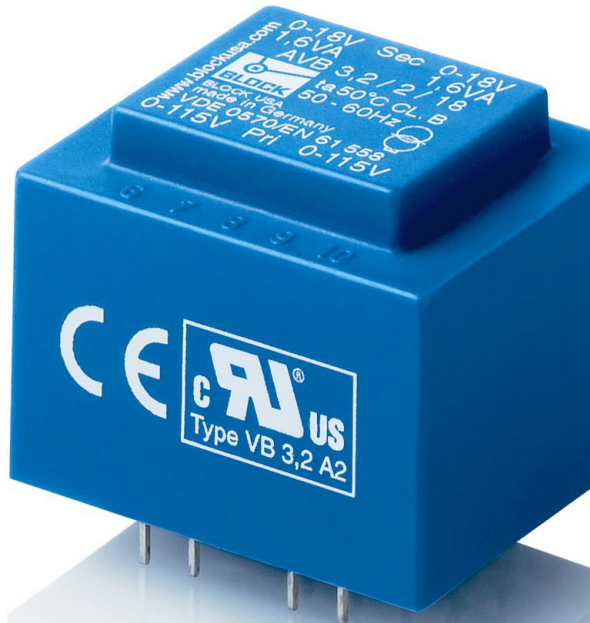


## Short circuit proof PCB transformer AVB



### General Data

|  |
|--|
| Rated input voltage 2 x 115 Vac                        |
| Rated output voltage 6 - 2 x 24 Vac                    |
| Rated power 0.35 - 3.2 VA                              |
| Insulation class B                                     |
| Maximum ambient temperature 70 °C (AVB 3,2 max. 50 °C) |
| Efficiency up to 59 %                                  |
| Degree of protection IP 00                             |

### Advantages

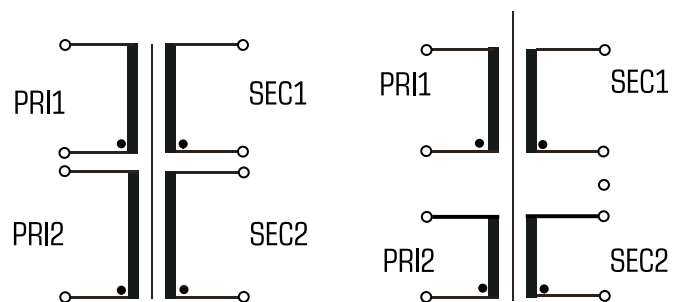
|  |
|--|
| Minimum size at high output  |
| Unconditionally short-circuit proof  |
| Double input voltage for series or parallel connection   |
| Also with double output voltage for series or parallel connection  |
| Designed for high ambient temperatures   |
| Permanent corrosion protection, high insulation value and maximum electrical reliability thanks to XtraDenseFill resin encapsulation |
| Coil shell in 2-chamber technology   |
| Self-extinguishing potting and hood material   |

### Applications

As a mains transformer for adjustment of the voltage and simple electrical isolation.

As a safety transformer for the safe electrical isolation of the input and output sides. The transformer is suitable for creating SELV and PELV circuits because of the limit on the output voltage.

### Sample application



### Standards



Mains transformer  
to: VDE 0570 Teil 2-1, DIN EN 61558-2-1, EN 61558-2-1, IEC 61558-2-1, UL 5085-1/-2, CSA 22.2 No.66

Safety isolating transformer  
to: VDE 0570 Teil 2-6, DIN EN 61558-2-6, EN 61558-2-6, IEC 61558-2-6, UL 5085-1/-2, CSA 22.2 No.66

### Approvals



UL 5085-1/-2, CSA 22.2 No.66

1.1

1.2

1.3

2.1

2.2

3.1

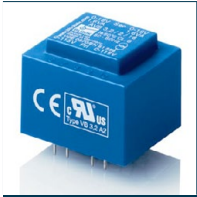
3.2

3.3

4.0

5.1

5.2

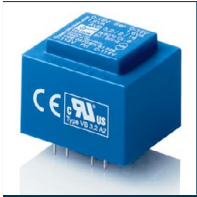


## Short circuit proof PCB transformer

### AVB



| Typ                                    | AVB 0,35/2/..   | AVB 0,5/2/..  | AVB 1,0/2/..   | AVB 1,5/2/..   | AVB 2,0/2/..                   | AVB 2,3/2/..   |
|--|---|---|--|--|--------------------------------|--|
| <b>Electrical data</b>                 |   |   |  |  |                                |  |
| <b>Input</b>                           |   |   |  |  |                                |  |
| Rated input voltage                    | 2 x 115 Vac   | 2 x 115 Vac   | 2 x 115 Vac  | 2 x 115 Vac  | 2 x 115 Vac                    | 2 x 115 Vac  |
| Rated frequency                        | 50 - 60 Hz  | 50 - 60 Hz  | 50 - 60 Hz   | 50 - 60 Hz   | 50 - 60 Hz                     | 50 - 60 Hz   |
| <b>Output</b>                          |   |   |  |  |                                |  |
| <b>Rated output voltage: Order no.</b> | 2x6 Vac: AVB 0,35/2/6<br>2x9 Vac: AVB 0,35/2/9<br>2x12 Vac: AVB 0,35/2/12<br>2x18 Vac: AVB 0,35/2/18*<br>2x24 Vac: AVB 0,35/2/24* | 2x6 Vac: AVB 0,5/2/6<br>2x8 Vac: AVB 0,5/2/8<br>2x9 Vac: AVB 0,5/2/9<br>2x12 Vac: AVB 0,5/2/12<br>2x15 Vac: AVB 0,5/2/15*<br>2x18 Vac: AVB 0,5/2/18*<br>2x24 Vac: AVB 0,5/2/24* | 2x6 Vac: AVB 1,0/2/6<br>2x9 Vac: AVB 1,0/2/9<br>2x12 Vac: AVB 1,0/2/12<br>2x15 Vac: AVB 1,0/2/15<br>2x18 Vac: AVB 1,0/2/18*<br>2x24 Vac: AVB 1,0/2/24* | 2x6 Vac: AVB 1,5/2/6<br>2x8 Vac: AVB 1,5/2/8<br>2x9 Vac: AVB 1,5/2/9<br>2x12 Vac: AVB 1,5/2/12<br>2x15 Vac: AVB 1,5/2/15<br>2x18 Vac: AVB 1,5/2/18*<br>2x24 Vac: AVB 1,5/2/24* | 2x12 Vac: AVB 2,0/2/12         | 2x6 Vac: AVB 2,3/2/6<br>2x9 Vac: AVB 2,3/2/9<br>2x12 Vac: AVB 2,3/2/12<br>2x15 Vac: AVB 2,3/2/15<br>2x18 Vac: AVB 2,3/2/18*<br>2x24 Vac: AVB 2,3/2/24* |
| Rated Power                            | 0.35 VA   | 0.50 VA   | 1.00 VA  | 1.50 VA  | 2.00 VA                        | 2.30 VA  |
| No-load voltage (app. x factor)        | 1.80  | 1.80  | 1.32   | 1.39   | 1.43                           | 1.43   |
| No-load loss (typ.)                    | 1.30 W  | 1.10 W  | 0.90 W   | 1.00 W   | 0.90 W                         | 0.90 W   |
| Efficiency                             | 30 %  | 40 %  | 55 %   | 57 %   | 43 %                           | 59 %   |
| <b>Standards</b>                       |   |   |  |  |                                |  |
| Classification                         | Safety isolating transformer<br>*Mains transformer  | Safety isolating transformer<br>*Mains transformer  | Safety isolating transformer<br>*Mains transformer   | Safety isolating transformer<br>*Mains transformer   | Safety isolating transformer   | Safety isolating transformer<br>*Mains transformer   |
| <b>Approvals</b>                       |   |   |  |  |                                |  |
| Approvals                              | cURus   | cURus   | cURus  | cURus  | cURus                          | cURus  |
| <b>Environment</b>                     |   |   |  |  |                                |  |
| Ambient temperature max.               | 70 °C   | 70 °C   | 70 °C  | 70 °C  | 70 °C                          | 70 °C  |
| <b>Safety and protection</b>           |   |   |  |  |                                |  |
| Type                                   | Encapsulated  | Encapsulated  | Encapsulated   | Encapsulated   | Encapsulated                   | Encapsulated   |
| Class of Insulation System             | VDE=B, UL=class 105   | VDE=B, UL=class 105   | VDE=B, UL=class 105  | VDE=B, UL=class 105  | VDE=B, UL=class 105            | VDE=B, UL=class 105  |
| Protection index                       | IP 00   | IP 00   | IP 00  | IP 00  | IP 00                          | IP 00  |
| Safety class (prepared)                | II  | II  | II   | II   | II                             | II   |
| Short circuit strength                 | inherently short-circuit proof  | inherently short-circuit proof  | inherently short-circuit proof   | inherently short-circuit proof   | inherently short-circuit proof | inherently short-circuit proof   |
| <b>Order numbers</b>                   |   |   |  |  |                                |  |
| Order Number                           | see rated output voltage  | see rated output voltage  | see rated output voltage   | see rated output voltage   | see rated output voltage       | see rated output voltage   |



## Short circuit proof PCB transformer **AVB**



| Typ                                    | AVB 2,3/2/..                    | AVB 3,2/2/..  |
|--|---------------------------------|---|
| <b>Electrical data</b>                 |                                 |   |
| <b>Input</b>                           |                                 |   |
| Rated input voltage                    | 2 x 115 Vac                     | 2 x 115 Vac   |
| Rated frequency                        | 50 - 60 Hz                      | 50 - 60 Hz  |
| <b>Output</b>                          |                                 |   |
| <b>Rated output voltage: Order no.</b> | 2x8 Vac: AVB 2,3/2/8            | 2x6 Vac: AVB 3,2/2/6<br>2x9 Vac: AVB 3,2/2/9<br>2x12 Vac: AVB 3,2/2/12<br>2x15 Vac: AVB 3,2/2/15<br>2x18 Vac: AVB 3,2/2/18<br>2x24 Vac: AVB 3,2/2/24* |
| Rated Power                            | 2.30 VA                         | 3.20 VA   |
| No-load voltage (app. x factor)        | 1.43                            | 1.57  |
| No-load loss (typ.)                    | 0.90 W                          | 1.00 W  |
| Efficiency                             | 59 %                            | 58 %  |
| <b>Standards</b>                       |                                 |   |
| Classification                         | Safety isolating transformer    | Safety isolating transformer<br>*Mains transformer  |
| <b>Approvals</b>                       |                                 |   |
| Approvals                              | cURus                           | cURus   |
| <b>Environment</b>                     |                                 |   |
| Ambient temperature max.               | 70 °C                           | 50 °C   |
| <b>Safety and protection</b>           |                                 |   |
| Type                                   | Encapsulated                    | Encapsulated  |
| Class of Insulation System             | VDE=B, UL=class 105             | VDE=B, UL=class 105   |
| Protection index                       | IP 00                           | IP 00   |
| Safety class (prepared)                | II                              | II  |
| Short circuit strength                 | inherently short-circuit proof  | inherently short-circuit proof  |
| <b>Order numbers</b>                   |                                 |   |
| <b>Order Number</b>                    | <b>see rated output voltage</b> | <b>see rated output voltage</b>   |

1.1

1.2

1.3

2.1

2.2

3.1

3.2

3.3

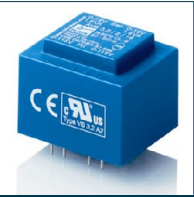
4.0

5.1

5.2

# 1 Transformers

## PCB transformers



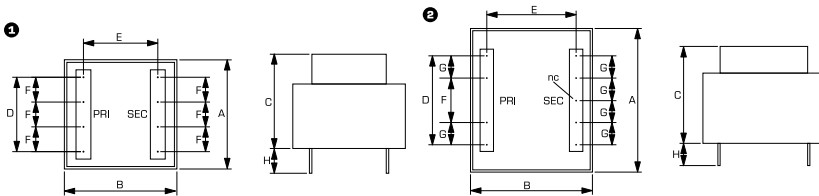
### Short circuit proof PCB transformer

## AVB



| Mechanical data | Typ           | Terminals                       | Pin (ø)   | Core type  | Weight  | Dimension picture (in mm) | Dimensions (mm) |      |      |    |    |    |   |   |
|-----------------|---------------|---------------------------------|-----------|------------|---------|---------------------------|-----------------|------|------|----|----|----|---|---|
|                 |               |                                 |           |            |         |                           | A               | B    | C    | D  | E  | F  | G | H |
|                 | AVB 0,35/2/.. | Pins for printed circuit boards | 0.6       | EE 20/6,1  | 0.02 kg | 1                         | 22              | 22.7 | 15   | 15 | 15 | 5  | - | 5 |
|                 | AVB 0,5/2/..  | Pins for printed circuit boards | 0.6       | EE 20/10,5 | 0.04 kg | 1                         | 22              | 22.7 | 19   | 15 | 15 | 5  | - | 5 |
|                 | AVB 1,0/2/..  | Pins for printed circuit boards | 0.8       | EI 30/10,5 | 0.07 kg | 2                         | 32.3            | 27.3 | 21.8 | 20 | 20 | 10 | 5 | 5 |
|                 | AVB 1,5/2/..  | Pins for printed circuit boards | 0.8       | EI 30/12,5 | 0.08 kg | 2                         | 32.3            | 27.3 | 23.8 | 20 | 20 | 10 | 5 | 5 |
|                 | AVB 2,0/2/..  | Pins for printed circuit boards | 0.8       | EI 30/15,5 | 0.10 kg | 2                         | 32.3            | 27.3 | 26.8 | 20 | 20 | 10 | 5 | 5 |
|                 | AVB 2,3/2/..  | Pins for printed circuit boards | 0.8       | EI 30/18   | 0.11 kg | 2                         | 32.3            | 27.3 | 29   | 20 | 20 | 10 | 5 | 5 |
|                 | AVB 2,3/2/..  | Pins for printed circuit boards | 0.8       | EI 30/18   | 0.11 kg | 2                         | 32.3            | 27.3 | 39   | 20 | 20 | 10 | 5 | 5 |
|                 | AVB 3,2/2/..  | Quick connect terminals         | 0.6 x 0.8 | EI 38/16,5 | 0.17 kg | 2                         | 41              | 35   | 30.8 | 20 | 25 | 10 | 5 | 5 |

### Dimension pictures



## X-ON Electronics

Largest Supplier of Electrical and Electronic Components

*Click to view similar products for [block manufacturer](#):*

Other Similar products are found below :

[PVSB 400/24-20](#) [RKD 120/2X24](#) [AIM5.0/2.5](#) [VB1.5/2/24](#) [STEU160/48](#) [TIM300](#) [AVB1.0/2/12](#) [FL4/18](#) [AVB2.3/2/12](#) [FL10/15](#) [FL6/24](#)  
[FL24/6](#) [STEU320/23](#) [STEU250/48](#) [STEU160/23](#) [LR3 48-3/80](#) [LR3 48-5/16](#) [PC-0148-100-0](#) [PM-0112-040-0](#) [PM-0748-400-0](#) [PT 7.5/2/9](#)  
[FL14/6](#) [FL52/12](#) [GNC24-2.5](#) [DCT24-1.5](#) [VB2.3/2/9](#) [VB 1.5/2/8](#) [SIM100](#) [RKD 100/2X15](#) [LR3 48-5/80](#) [LR3 48-5/90](#) [PM-0112-070-0](#) [PM-](#)  
[0148-020-0](#) [EB-1824-010-0](#) [USTE1000/2X115](#) [FL14/18](#) [FL6/6](#) [VB 0.35/1/15](#) [PC-0324-400-0](#) [STEU250/23](#) [AIM3.2/1.6](#) [AVB3.2/2/12](#)  
[FL10/12](#) [FL14/15](#) [FL8/6](#) [FL8/9](#) [LR3 48-3/90](#) [PC-0112-150-0](#) [EB-2724-100-0](#) [PVAF 24/3,2AH](#)