

# SMART BEACON

## type SB2000/GS -/NGS

**Certified product, energy efficiency, very low weight, easy to assemble**



- ◆ Flash mode, no external controller required
- ◆ Low power consumption, in flash mode up to **15W at 30 fpm**
- ◆ Very low lamp weight not exceeding **2,9 kg** (SB2000/NGS), **3,2 kg** (SB2000/GS)
- ◆ Day/night detection system - integrated twilight sensor
- ◆ Integrated GPS/GLONASS control system, facilitating cooperation of a group of lamps working in wind turbine farms or other facilities requiring synchronous operation (SB2000/GS)
- ◆ Integrated lamp design (light alloys and composites) with a degree of protection of **IP65 or higher**
- ◆ Mechanical shock resistance - at least **IK08**
- ◆ Electromagnetic compatibility certificate (EMC) - an external accredited body
- ◆ Certificate of compliance with the requirements for medium intensity lamps according to ICAO - an external accredited body
- ◆ Operating temperature: From -55°C to +55°C / storage temperature: From -65°C to +75°C
- ◆ Integrated overvoltage protection class TII (class C) at 36kA for protection against impacts specified in **PN-EN 61000-4-5:2009**
- ◆ Lifetime of active optical components - over **100 000 hours**
- ◆ Enclosure surface protected with antioxidant layers
- ◆ 36 months warranty with the possibility of extension up to 72 months

Made  
in Poland

2 000 cd

21V -51V  
96V-256V

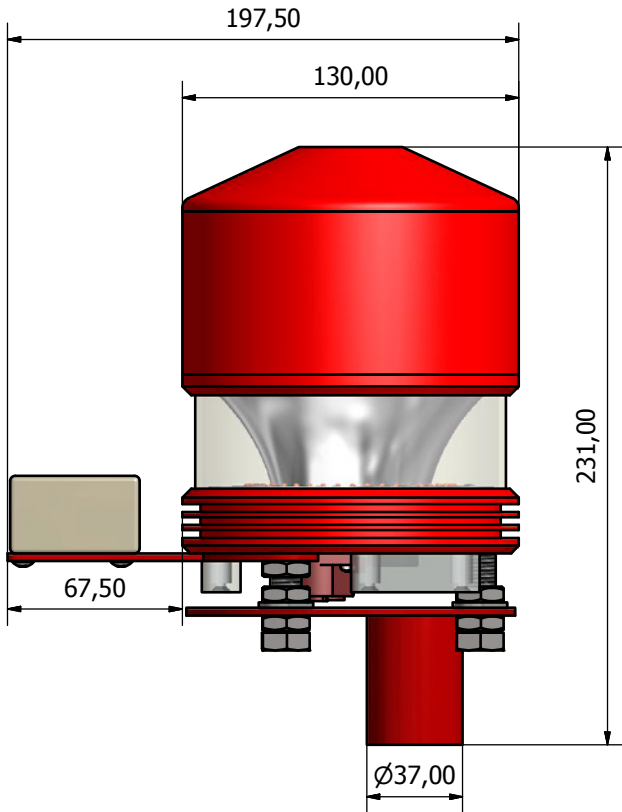
VAC  
VDC

< 15 W  
for 30 fpm

< 2,9 kg  
< 3,2 kg



Medium intensity lamp type B (ICAO)



- ◆ Mounting on the object by means of a supporting structure ended with a pipe with a 1" thread
  - on request we design and build dedicated support structures according to customer requirements
  - in our portfolio we have more than 10 dedicated constructions for various objects which can be adapted for lamps of other manufacturers
- ◆ Implement the requirements of regulations issued by the Federal Aviation Administration (FAA), the International Civil Aviation Organization (ICAO), the European Aviation Safety Agency (EASA)

Electrical parameters:

Series lamp type <b>SMART BEACON</b>	Supply voltage	Supply voltage VAC/VDC			Average level of power consumption [W]	Type according to ICAO
		Min.	Typ.	Max.[V]		
SB2000/GS-24V	24 VAC/VDC	21	24	51	< 15 (+/-2%)	B
SB2000/GS-110V	110VAC/VDC	92	230	256	< 15 (+/-2%)	B
SB2000/GS-230V	230 VAC/VDC	92	110	256	< 15 (+/-2%)	B
SB2000/NGS-24V	24 VAC/VDC	21	24	51	< 15 (+/-2%)	B
SB2000/NGS-110V	110 VAC/VDC	92	230	256	< 15 (+/-2%)	B
SB2000/NGS-230V	230 VAC/VDC	92	110	256	< 15 (+/-2%)	B

2000 cd, type B (flash operation) - does not require a separate controller  
 SB2000/GS - multi-lamp flash synchronization (GPS/GLONASS) e.g. wind farm  
 SB2000/NGS - no flash synchronization of many lamps

Made in Poland

2 000 cd

21V -51V  
96V-256V

VAC  
VDC

< 15 W  
for 30 fpm

< 2,9 kg  
< 3,2 kg



## X-ON Electronics

Largest Supplier of Electrical and Electronic Components

*Click to view similar products for [Audio Indicators & Alerts](#) category:*

*Click to view products by [BLUESOFT STC](#) manufacturer:*

Other Similar products are found below :

[M2BJ-BH24E](#) [6-4](#) [68S1240-PA](#) [MBA-624](#) [F/BC 40P-DR LF](#) [FDG111PLF](#) [F/NRMB 24 BLACK LF](#) [PF-35N29WQ](#) [PFD-27A35PQ](#) [PL-27A35PSQ](#) [PS-531Q](#) [AB2020B-2-LW1](#) [EBPT-401](#) [PB06SD12AP](#) [PB-1220PEQ](#) [S6109](#) [SC2036ACP](#) [SC616N-2](#) [SC628FW](#) [SC628MPG](#) [SC648D](#) [SCS045MD9DT3S](#) [AB2025B-LW50-R](#) [ESZ-25B-5-250B](#) [F/BC 35-DR LF](#) [FCM12PLF](#) [F/EB20P-DR LF](#) [F/HU110MP24V-IP67B](#) [LF](#) [AI-2835-TF-LW150-2-R](#) [AI-4228-TF-LW305-R](#) [FSMD8585JSLF](#) [FSS-26T](#) [F/SU 21-02 LF](#) [F/TCW 05 WITH LABEL LF](#) [F/UCW 03 WITH LABEL LF](#) [F/UCW 06 WITH LABEL LF](#) [PKM22EPPH40S1-B0](#) [PKM35-4A0](#) [PL-35N29WQ](#) [PLD-27A35PQ](#) [PS-552Q](#) [CM-5](#) [M2BJ-BH24E-D](#) [REF-202](#) [LSC628ANR](#) [5-100](#) [PAL-328](#) [03-810.001](#) [RTO-1R07-001](#) [PL-21N31PQ](#) [PF-27A25PSQ](#)