

SMART BEACON

type SB2000/L -/ZL -/KL -/ZKL

Certified product, energy efficiency, very low weight, easy to assemble



- ◆ Day/night detection system, realized by means of twilight sensor (SB2000/ZL)
- ◆ Lamp with indication of lamp status, indication of optical elements failure (SB2000/KL)
- ◆ Lamp with integrated twilight sensor with signalling of lamp status and indication of damage to lamps's optical elements (SB2000/ZKL)
- ◆ Integrated lamp design (light alloys and composites) with a degree of protection **IP65 or higher**
- ◆ Low power consumption (**ICAO type A**) up to **1.6 W**
- ◆ Low power consumption (**ICAO type B**) up to **2 W**
- ◆ Very low lamp weight not exceeding **2.5 kg**
- ◆ Mechanical shock resistance - at least **IK08**
- ◆ Electromagnetic compatibility certificate (EMC) - an external accredited body
- ◆ Lifetime of active optical components – **over 100 000 hours**
- ◆ Operating temperature from **-55°C to +55°C** / storage temperature from **-65°C to +75°C**
- ◆ Integrated overvoltage protection type **TI+TII (B+C class)** at level **36kA** to protect against shocks specified in **PN-EN 61000-4-5:2009**
- ◆ Certificate of compliance with the requirements for low intensity lamps according to ICAO - an external accredited body
- ◆ Enclosure surface protected with antioxidants layers
- ◆ 36 months warranty with the possibility of extension up to 72 months

Made
in Poland

< 10 cd
< 32 cd

10V -51V
96V-256V

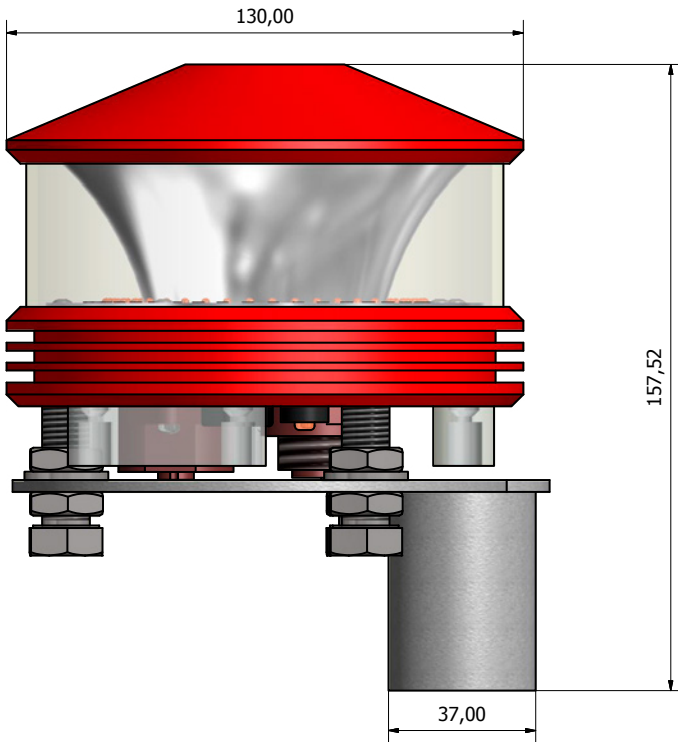
VAC
VDC

< 1,6 W
< 2,0 W

< 2,5 kg



Low intensity lamp type A or B (ICAO)



- ◆ Mounting on the object by means of a supporting structure ended with a pipe with a 1" thread
 - on request we design and build dedicated support structures according to customer requirements
 - in our portfolio we have more than 10 dedicated constructions for various objects which can be adapted for lamps of other manufacturers
- ◆ Implement the requirements of regulations issued by the Federal Aviation Administration (FAA), the International Civil Aviation Organization (ICAO), the European Aviation Safety Agency (EASA)
- ◆ By means of dedicated leads, located in a four-way signalling socket (socket B), it is possible to transmit the signal and power from a powered lamp to another lamp with an input connector (socket A). The solution we use allows for chain connections of groups of lamps
- ◆ The correct state is indicated by closed contacts, while the emergency state by open contacts (SB2000/KL, SB2000/ZKL)

Electrical parameters:

Series lamp type SMART BEACON			Supply voltage	Supply voltage VAC/VDC			Average level of power consumption [W]	Type according to ICAO
				Min.	Typ.	Max.[V]		
SB2000	L ZL KL ZKL	10CD	24 VAC/VDC	10	24	51	< 1,6 (+/-2%)	A
SB2000	L ZL KL ZKL	10CD	110-230 VAC/VDC	92	110-230	256	< 1,6 (+/-2%)	A
SB2000	L ZL KL ZKL	32CD	24 VAC/VDC	10	24	51	< 2,0 (+/-2%)	B
SB2000	L ZL KL ZKL	32CD	110-230 VAC/VDC	92	110-230	256	< 2,0 (+/-2%)	B

> 10 cd – type A wg ICAO
 > 32 cd – type B wg ICAO

Made in Poland

< 10 cd
< 32 cd

10V -51V
96V-256V

VAC
VDC

< 1,6 W
< 2,0 W

< 2,5 kg



X-ON Electronics

Largest Supplier of Electrical and Electronic Components

Click to view similar products for [Audio Indicators & Alerts](#) category:

Click to view products by [BLUESOFT STC](#) manufacturer:

Other Similar products are found below :

[M2BJ-BH24E](#) [6-4](#) [68S1240-PA](#) [MBA-624](#) [F/BC 40P-DR LF](#) [FDG111PLF](#) [F/NRMB 24 BLACK LF](#) [PF-35N29WQ](#) [PFD-27A35PQ](#) [PL-27A35PSQ](#) [PS-531Q](#) [AB2020B-2-LW1](#) [EBPT-401](#) [PB06SD12AP](#) [PB-1220PEQ](#) [S6109](#) [SC2036ACP](#) [SC616N-2](#) [SC628FW](#) [SC628MPG](#) [SC648D](#) [SCS045MD9DT3S](#) [AB2025B-LW50-R](#) [ESZ-25B-5-250B](#) [F/BC 35-DR LF](#) [FCM12PLF](#) [F/EB20P-DR LF](#) [F/HU110MP24V-IP67B](#) [LF](#) [AI-2835-TF-LW150-2-R](#) [AI-4228-TF-LW305-R](#) [FSMD8585JSLF](#) [FSS-26T](#) [F/SU 21-02 LF](#) [F/TCW 05 WITH LABEL LF](#) [F/UCW 03 WITH LABEL LF](#) [F/UCW 06 WITH LABEL LF](#) [PKM22EPPH40S1-B0](#) [PKM35-4A0](#) [PL-35N29WQ](#) [PLD-27A35PQ](#) [PS-552Q](#) [CM-5](#) [M2BJ-BH24E-D](#) [REF-202](#) [LSC628ANR](#) [5-100](#) [PAL-328](#) [03-810.001](#) [RTO-1R07-001](#) [PL-21N31PQ](#) [PF-27A25PSQ](#)