



TECHNICAL SHEET

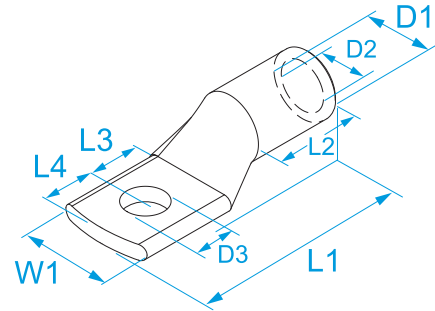
No. **11TA04F**
Issue
V01.0 (EN)

Product family: Terminals - Uninsulated tube terminals
Code: 017313, 018313, 018373, 018433, 019313, 019433, 031373, 031433, 032373, 032433, 033373, 033433, 034493, 035493
Description: TERMINAL LUGS FOR COPPER CONDUCTORS · UNINSULATED · SMALL PLATE

Image:



Technical Drawing:



Specifications:

TERMINAL MATERIAL: tinned copper
OPERATING TEMPERATURE: from -50 °C to +150 °C
APPLICATIONS: the reduced width of the palm allows connection to equipment with lugs of dimensions not suitable for standard terminals.
ACCORDING TO STD.: UL 486 A-B

| Code | Section (mm ²) | Section (AWG/MCM) | For screw Ø screw (mm) | For screw Stud size | Indent | W1 (mm) | L1 (mm) | L2 (mm) | L3 (mm) | L4 (mm) | D1 (mm) | D2 (mm) | D3 (mm) | |
|---------|----------------------------|-------------------|------------------------|---------------------|--------|---------|---------|---------|---------|---------|---------|---------|---------|-------|
| 017313 | 35 | (2) | 6 | #12 | 11 | 15 | 39 | 16 | 8 | 7 | 11,5 | 8,5 | 6,5 | 25/25 |
| 018313 | 50 | (1/0) | 6 | #12 | 12 | 15 | 41 | 18 | 8 | 7 | 13 | 10 | 6,5 | |
| 018373• | 50 | (1/0) | 8 | 5/16" | 12 | 18,5 | 51 | 18 | 13,5 | 9,5 | 13 | 10 | 10,5 | 25/25 |
| 018433 | 50 | (1/0) | 10 | 3/8" | 12 | 18,5 | 51 | 18 | 13,5 | 9,5 | 13 | 10 | 10,5 | |
| 019313• | 70 | (2/0) | 6 | #12 | 14 | 17 | 46 | 20 | 9,5 | 6,5 | 15 | 12 | 6,5 | 25/25 |
| 019433• | 70 | (2/0) | 10 | 3/8" | 14 | 19 | 52 | 21 | 13 | 10 | 15 | 12 | 10,5 | |
| 031373• | 95 | (3/0) | 8 | 5/16" | 16 | 19 | 54 | 24 | 12 | 8 | 17 | 13,8 | 8,5 | 25/25 |
| 031433• | 95 | (3/0) | 10 | 3/8" | 16 | 19 | 58 | 22 | 13 | 10 | 17 | 13,8 | 10,5 | |
| 032373 | 120 | (4/0) | 8 | 5/16" | 18 | 19 | 61 | 22 | 12 | 9 | 19,5 | 15,5 | 8,5 | 25/25 |
| 032433 | 120 | (4/0) | 10 | 3/8" | 18 | 19 | 61 | 22 | 12 | 9 | 19,5 | 15,5 | 10,5 | |
| 033373 | 150 | (300) | 8 | 5/16" | 20 | 19 | 70 | 30 | 17 | 9 | 21 | 17 | 8,4 | 25/25 |
| 033433 | 150 | (300) | 10 | 3/8" | 20 | 19 | 70 | 30 | 17 | 9 | 21 | 17 | 10,5 | |
| 034493 | 185 | (400) | 12 | 1/2" | 22 | 31 | 82 | 32 | 17 | 14 | 24 | 19 | 13 | 25/25 |
| 035493 | 240 | (500) | 12 | 1/2" | 25 | 31,5 | 90 | 39 | 17 | 14 | 27 | 21,5 | 13 | 25/25 |



• No UL

X-ON Electronics

Largest Supplier of Electrical and Electronic Components

Click to view similar products for [Terminals](#) category:

Click to view products by [BM Group](#) manufacturer:

Other Similar products are found below :

[00-054007-01074-6](#) [00-054007-70206-1](#) [00-054007-70210-8](#) [00-054007-70217-7](#) [00-054007-70226-9](#) [00-054007-70228-3](#) [00-054007-70248-1](#) [00-054007-70256-6](#) [00-054007-70301-3](#) [00-054007-70316-7](#) [00-054007-49560-4](#) [00-054007-70209-2](#) [00-054007-70225-2](#) [00-054007-70227-6](#) [00-054007-70231-3](#) [00-054007-70241-2](#) [00-054007-70242-9](#) [00-054007-70244-3](#) [00-054007-70246-7](#) [00-054007-70263-4](#) [00-054007-70288-7](#) [00-054007-70290-0](#) [00-054007-70300-6](#) [00-054007-70304-4](#) [01-2065-1-0216](#) [01-2900-1-04412](#) [00581P0075](#) [600TS-10](#) [60205-1](#) [604200-1](#) [605601-1](#) [60598-1-CUT-TAPE](#) [60617-1-C](#) [61314-6-C](#) [61810-3](#) [61-S](#) [626-0194](#) [62-NBM-A](#) [62-SP](#) [63-S](#) [640179-1](#) [M55155/059I03](#) [M55155/079C01](#) [M55155/099H02](#) [M55155/109H01](#) [M55155/109H02](#) [M55155/12XH05](#) [M55155/16XH02](#) [M55155/29-5S](#) [M55155/29XJ08](#)