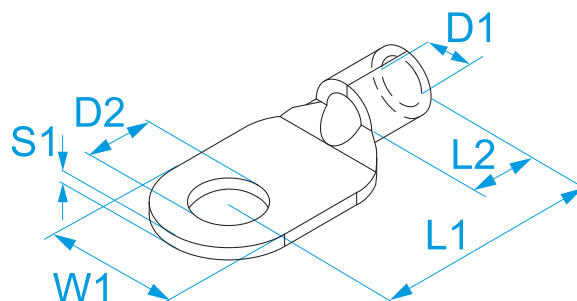


Product family: Terminals - DIN standard terminals
 02425, 02431, 02437, 02443, 02449, 02525, 02531, 02537, 02543, 02549, 02561, 02631, 02637, 02643, 02649, 02655, 02661, 02731, 02737, 02743, 02749, 02755, 02761, 02837, 02843, 02849, 02855, 02861, 02937, 02943, 02949, 02955, 04137, 04143, 04149, 04155, 04161, 04243, 04249, 04255, 04261, 04267, 04343, 04349, 04355, 04361, 04367

Code:

Description: TERMINAL LUGS FOR COPPER CONDUCTORS · UNINSULATED · RING · SILVER ALLOY BRAZED DIN 46234

Image:

Technical Drawing:

Specifications:

TERMINAL MATERIAL: tinned copper
SEAM: brazed silver alloy
OPERATING TEMPERATURE: from -50 °C to +150 °C
ACCORDING TO STD.: DIN 46234

| Code | Section (mm ²) | Section (AWG/MCM) | For screw Ø screw (mm) | For screw Stud size | Indent | W1 (mm) | L1 (mm) | L2 (mm) | D1 (mm) | D2 (mm) | S1 (mm) | |
|-------|----------------------------|-------------------|------------------------|---------------------|--------|---------|---------|---------|---------|---------|---------|---------|
| 02425 | 10 | (8) | 5 | #10 | 6 | 10 | 16 | 8 | 4,5 | 5,3 | 1,1 | |
| 02431 | 10 | (8) | 6 | #12 | 6 | 11 | 17 | 8 | 4,5 | 6,4 | 1,1 | |
| 02437 | 10 | (8) | 8 | 5/16" | 6 | 14 | 20 | 8 | 4,5 | 8,4 | 1,1 | 100/500 |
| 02443 | 10 | (8) | 10 | 3/8" | 6 | 18 | 21 | 8 | 4,5 | 10,5 | 1,1 | |
| 02449 | 10 | (8) | 12 | 1/2" | 6 | 22 | 23 | 8 | 4,5 | 13 | 1,1 | |
| 02525 | 16 | (6) | 5 | #10 | 8 | 11 | 20 | 10 | 5,8 | 5,3 | 1,2 | |
| 02531 | 16 | (6) | 6 | #12 | 8 | 11 | 20 | 10 | 5,8 | 6,4 | 1,2 | |
| 02537 | 16 | (6) | 8 | 5/16" | 8 | 14 | 22 | 10 | 5,8 | 8,4 | 1,2 | 100/500 |
| 02543 | 16 | (6) | 10 | 3/8" | 8 | 18 | 24 | 10 | 5,8 | 10,5 | 1,2 | |
| 02549 | 16 | (6) | 12 | 1/2" | 8 | 22 | 26 | 10 | 5,8 | 13 | 1,2 | |
| 02561 | 16 | (6) | 16 | 5/8" | 8 | 32 | 36 | 10 | 5,8 | 17 | 1,2 | |
| 02631 | 25 | (4) | 6 | #12 | 10 | 12 | 25 | 11 | 7,5 | 6,4 | 1,5 | |
| 02637 | 25 | (4) | 8 | 5/16" | 10 | 16 | 25 | 11 | 7,5 | 8,4 | 1,5 | |
| 02643 | 25 | (4) | 10 | 3/8" | 10 | 18 | 26 | 11 | 7,5 | 10,5 | 1,5 | 100/200 |
| 02649 | 25 | (4) | 12 | 1/2" | 10 | 22 | 31 | 11 | 7,5 | 13 | 1,5 | |
| 02655 | 25 | (4) | 14 | 9/16" | 10 | 30 | 37 | 11 | 7,5 | 15 | 1,5 | |
| 02661 | 25 | (4) | 16 | 5/8" | 10 | 28 | 35 | 11 | 7,5 | 17 | 1,5 | |
| 02731 | 35 | (2) | 6 | #12 | 12 | 15 | 26 | 12 | 9 | 6,5 | 1,6 | |
| 02737 | 35 | (2) | 8 | 5/16" | 12 | 16 | 26 | 12 | 9 | 8,4 | 1,7 | |
| 02743 | 35 | (2) | 10 | 3/8" | 12 | 18 | 27 | 12 | 9 | 10,5 | 1,7 | 100/200 |
| 02749 | 35 | (2) | 12 | 1/2" | 12 | 22 | 31 | 12 | 9 | 13 | 1,7 | |
| 02755 | 35 | (2) | 14 | 9/16" | 12 | 28 | 36 | 12 | 9 | 15 | 1,7 | |
| 02761 | 35 | (2) | 16 | 5/8" | 12 | 28 | 36 | 12 | 9 | 17 | 1,7 | |
| 02837 | 50 | (1/0) | 8 | 5/16" | 14 | 18 | 34 | 16 | 11 | 8,4 | 1,8 | |
| 02843 | 50 | (1/0) | 10 | 3/8" | 14 | 18 | 34 | 16 | 11 | 10,5 | 1,8 | 100/100 |
| 02849 | 50 | (1/0) | 12 | 1/2" | 14 | 22 | 36 | 16 | 11 | 13 | 1,8 | |
| 02855 | 50 | (1/0) | 14 | 9/16" | 14 | 28 | 40 | 16 | 11 | 15 | 1,8 | |
| 02861 | 50 | (1/0) | 16 | 5/8" | 14 | 28 | 40 | 16 | 11 | 17 | 1,8 | |
| 02937 | 70 | (2/0) | 8 | 5/16" | 16 | 22 | 38 | 18 | 13 | 8,4 | 2 | |
| 02943 | 70 | (2/0) | 10 | 3/8" | 16 | 22 | 38 | 18 | 13 | 10,5 | 2 | 50/50 |
| 02949 | 70 | (2/0) | 12 | 1/2" | 16 | 22 | 38 | 18 | 13 | 13 | 2 | |
| 02955 | 70 | (2/0) | 14 | 9/16" | 16 | 28 | 42 | 18 | 13 | 15 | 2 | |
| 04137 | 95 | (3/0) | 8 | 5/16" | 18 | 24 | 42 | 20 | 15 | 8,4 | 2,5 | |
| 04143 | 95 | (3/0) | 10 | 3/8" | 18 | 24 | 42 | 20 | 15 | 10,5 | 2,5 | |
| 04149 | 95 | (3/0) | 12 | 1/2" | 18 | 24 | 42 | 20 | 15 | 13 | 2,5 | 50/50 |
| 04155 | 95 | (3/0) | 14 | 9/16" | 18 | 28 | 44 | 20 | 15 | 15 | 2,5 | |
| 04161 | 95 | (3/0) | 16 | 5/8" | 18 | 28 | 44 | 20 | 15 | 17 | 2,5 | |
| 04243 | 120 | (4/0) | 10 | 3/8" | 20 | 24 | 44 | 22 | 16,5 | 10,5 | 3 | |
| 04249 | 120 | (4/0) | 12 | 1/2" | 20 | 24 | 44 | 22 | 16,5 | 13 | 3 | |
| 04255 | 120 | (4/0) | 14 | 9/16" | 20 | 28 | 48 | 22 | 16,5 | 15 | 3 | 25/25 |
| 04261 | 120 | (4/0) | 16 | 5/8" | 20 | 28 | 48 | 22 | 16,5 | 17 | 3 | |
| 04267 | 120 | (4/0) | 20 | 3/4" | 20 | 32 | 53 | 22 | 16,5 | 21 | 3 | |
| 04343 | 150 | (300) | 10 | 3/8" | 22 | 30 | 50 | 24 | 19 | 10,5 | 3,2 | 25/25 |
| 04349 | 150 | (300) | 12 | 1/2" | 22 | 30 | 50 | 24 | 19 | 13 | 3,2 | |
| 04355 | 150 | (300) | 14 | 9/16" | 22 | 30 | 50 | 24 | 19 | 15 | 3,2 | 10/10 |
| 04361 | 150 | (300) | 16 | 5/8" | 22 | 30 | 50 | 24 | 19 | 17 | 3,2 | 25/25 |
| 04367 | 150 | (300) | 20 | 3/4" | 22 | 36 | 63 | 24 | 19 | 21 | 3,2 | 10/10 |

X-ON Electronics

Largest Supplier of Electrical and Electronic Components

Click to view similar products for [Terminals](#) category:

Click to view products by [BM Group](#) manufacturer:

Other Similar products are found below :

[00-054007-01074-6](#) [00-054007-70206-1](#) [00-054007-70210-8](#) [00-054007-70217-7](#) [00-054007-70226-9](#) [00-054007-70228-3](#) [00-054007-70248-1](#) [00-054007-70256-6](#) [00-054007-70301-3](#) [00-054007-70316-7](#) [00-054007-49560-4](#) [00-054007-70209-2](#) [00-054007-70225-2](#) [00-054007-70227-6](#) [00-054007-70231-3](#) [00-054007-70241-2](#) [00-054007-70242-9](#) [00-054007-70244-3](#) [00-054007-70246-7](#) [00-054007-70263-4](#) [00-054007-70288-7](#) [00-054007-70290-0](#) [00-054007-70300-6](#) [00-054007-70304-4](#) [01-2065-1-0216](#) [01-2900-1-04412](#) [00581P0075](#) [600TS-10](#) [60205-1](#) [604200-1](#) [605601-1](#) [60598-1-CUT-TAPE](#) [60617-1-C](#) [61314-6-C](#) [61810-3](#) [61-S](#) [626-0194](#) [62-NBM-A](#) [62-SP](#) [63-S](#) [640179-1](#) [M55155/059I03](#) [M55155/079C01](#) [M55155/099H02](#) [M55155/109H01](#) [M55155/109H02](#) [M55155/12XH05](#) [M55155/16XH02](#) [M55155/29-5S](#) [M55155/29XJ08](#)