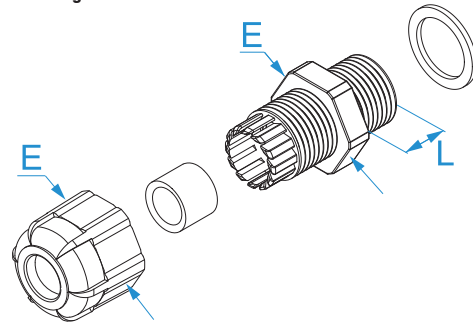


Product family: Nylon cable glands - PG thread
Item code: 4007, 4307, 4007N, 4009, 4309, 4009N, 4011, 4311, 4011N, 4013, 4313, 4013N, 4016, 4316, 4016N, 4021, 4321, 4021N, 4029, 4329, 4029N, 4036, 4336, 4036N, 4042, 4342, 4042N, 4048, 4348, 4048N
Description: NYLON CABLE GLANDS · PG THREAD · IP68 · STANDARD

Image



Technical drawing



Specifications

MATERIAL: polyamide (PA 6.6), self-extinguishing according to UL 94 V2 and IEC 695-2-1 (850 °C)
OPERATING TEMPERATURE: from -20 °C to +90 °C
INNER GASKET AND WASHER: NBR (nitrile rubber), 70 Shore A
ACCORDING TO STD.: EN 62444:2013
ASSEMBLY: do not remove or move the gasket; tighten on a flat and smooth surface.

Code	Color	PG thread size (DIN40430)	Ø cable (mm)	L (mm)	E wrench (nut)	
4007	Grey RAL 7035	PG 7	3 - 6,5	9	16	50/500
4307	Grey RAL 7001	PG 7	3 - 6,5	9	16	
4007N	Black RAL 9005	PG 7	3 - 6,5	9	16	50/50
4009	Grey RAL 7035	PG 9	4 - 8	9	19	50/500
4309	Grey RAL 7001	PG 9	4 - 8	9	19	
4009N	Black RAL 9005	PG 9	4 - 8	9	19	50/50
4011	Grey RAL 7035	PG 11	5 - 10	9	22	25/250
4311	Grey RAL 7001	PG 11	5 - 10	9	22	
4011N	Black RAL 9005	PG 11	5 - 10	9	22	25/25
4013	Grey RAL 7035	PG 13.5	6 - 11	10	24	25/250
4313	Grey RAL 7001	PG 13.5	6 - 11	10	24	
4013N	Black RAL 9005	PG 13.5	6 - 11	10	24	
4016	Grey RAL 7035	PG 16	10 - 13	10	27	25/250
4316	Grey RAL 7001	PG 16	10 - 13	10	27	
4016N	Black RAL 9005	PG 16	10 - 13	10	27	
4021	Grey RAL 7035	PG 21	13 - 18	12	33	20/20
4321	Grey RAL 7001	PG 21	13 - 18	12	33	20/200
4021N	Black RAL 9005	PG 21	13 - 18	12	33	20/20
4029	Grey RAL 7035	PG 29	18 - 25	12	42	10/100
4329	Grey RAL 7001	PG 29	18 - 25	12	42	
4029N	Black RAL 9005	PG 29	18 - 25	12	42	10/10
4036	Grey RAL 7035	PG 36	25 - 32	15	52	5/50
4336	Grey RAL 7001	PG 36	25 - 32	15	52	
4036N	Black RAL 9005	PG 36	25 - 32	15	52	5/5
4042	Grey RAL 7035	PG 42	32 - 38	18	60	5/10
4342	Grey RAL 7001	PG 42	32 - 38	18	60	5/50
4042N	Black RAL 9005	PG 42	32 - 38	18	60	10/10
4048	Grey RAL 7035	PG 48	37 - 44	18	68	5/25
4348	Grey RAL 7001	PG 48	37 - 44	18	68	5/50
4048N	Black RAL 9005	PG 48	37 - 44	18	68	5/5



X-ON Electronics

Largest Supplier of Electrical and Electronic Components

Click to view similar products for [Cable Glands, Strain Reliefs & Cord Grips](#) category:

Click to view products by [BM Group](#) manufacturer:

Other Similar products are found below :

[1218](#) [1300980012](#) [1300980105](#) [DBZM-6828](#) [1498](#) [15190-103 R2](#) [300623](#) [07402002](#) [1151](#) [VC-M-KV-PG16 1X3/1X8](#) [5525](#) [9000005073](#)
[N16 025 0112 1](#) [M6106](#) [NG-9516 Gasket](#) [53629556](#) [53629570](#) [53629675](#) [52025230](#) [52024853](#) [53019051](#) [53112879](#) [53119063](#) [53018090](#)
[1300990004](#) [Z5.507.2321.0](#) [CGB295-SG](#) [SSTP-13.5](#) [SSTP-M50](#) [1.089.1399.19](#) [1.089.2106.19](#) [1.089.2901.19](#) [1.089.2905.19](#) [1.089.3699.19](#)
[V-TEC L PG29 LGR](#) [116 M63 LGR PA](#) [1.581.3200.51](#) [1.687.1601.50](#) [02A242](#) [4136](#) [SR2](#) [SR1](#) [M4364](#) [M3249](#) [GPA M63-L](#) [1.597.1605.00](#)
[1.597.2001.50](#) [1.597.2003.50](#) [1.597.2100.00](#) [1.597.2501.50](#)