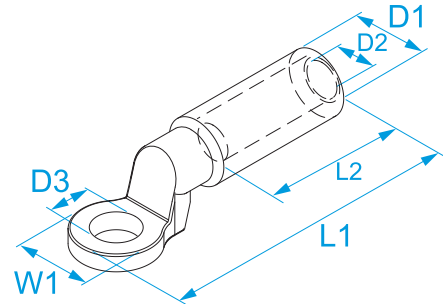


Product family: Terminals - Bimetallic terminals
Code: 70000, 70001, 70002, 70003, 70004, 70005, 70006, 70007, 70008, 70009, 70010
Description: BIMETALLIC TERMINAL LUGS · UNINSULATED · RING

Image:




Technical Drawing:



Specifications:

PALM MATERIAL: copper 99.9%
BARREL MATERIAL: aluminum 99.5%
CONDUCTOR CABLE MATERIAL: L.V. and M.V. aluminium
OPERATING TEMPERATURE: from -50 °C to +150 °C
APPLICATIONS: useful where an aluminum cable has to be terminated by a copper bus bar or copper contact. Indeed a galvanic action occurs if terminals of only copper or aluminum are used due to dissimilar contact.
PROTECTION: the conductor housing is filled with grease (dropping point 90 °C) and plugged with a plastic cap to avoid oxidation.

Code	Section (mm ²)	Section (AWG/MCM)	For screw Ø screw (mm)	For screw Stud size	Indent	W1 (mm)	L1 (mm)	L2 (mm)	D1 (mm)	D2 (mm)	D3 (mm)	
70000	16	(6)	12	1/2"	15	22,5	87	47,5	16	5,6	13	10/10
70001	25	(4)	12	1/2"	15	22,5	87	47,5	16	6,6	13	10/10
70002	35	(2)	12	1/2"	20	25	88	47,5	20	8,2	13	10/10
70003	50	(1/0)	12	1/2"	20	25	88	47,5	20	9,2	13	10/10
70004	70	(2/0)	12	1/2"	20	25	88	47,5	20	11,2	13	10/10
70005	95	(3/0)	12	1/2"	20	25	88	47,5	20	12,7	13	10/10
70006	120	(4/0)	12	1/2"	25	32	113	64,5	25	13,9	13	10/10
70007	150	(300)	12	1/2"	25	32	113	64,5	25	15,7	13	10/10
70008	185	(400)	12	1/2"	32	35,5	118	64,5	32	17,2	13	10/10
70009	240	(500)	12	1/2"	32	35,5	118	64,5	32	19,7	13	10/10
70010	300	(600)	12	1/2"	35	35,5	145	90	34	23,3	13	10/10

X-ON Electronics

Largest Supplier of Electrical and Electronic Components

Click to view similar products for [Terminals](#) category:

Click to view products by [BM Group](#) manufacturer:

Other Similar products are found below :

[00-054007-01074-6](#) [00-054007-70206-1](#) [00-054007-70210-8](#) [00-054007-70217-7](#) [00-054007-70226-9](#) [00-054007-70228-3](#) [00-054007-70248-1](#) [00-054007-70256-6](#) [00-054007-70301-3](#) [00-054007-70316-7](#) [00-054007-49560-4](#) [00-054007-70209-2](#) [00-054007-70225-2](#) [00-054007-70227-6](#) [00-054007-70231-3](#) [00-054007-70241-2](#) [00-054007-70242-9](#) [00-054007-70244-3](#) [00-054007-70246-7](#) [00-054007-70263-4](#) [00-054007-70288-7](#) [00-054007-70290-0](#) [00-054007-70300-6](#) [00-054007-70304-4](#) [01-2065-1-0216](#) [01-2900-1-04412](#) [00581P0075](#) [600TS-10](#) [60205-1](#) [604200-1](#) [605601-1](#) [60598-1-CUT-TAPE](#) [60617-1-C](#) [61314-6-C](#) [61810-3](#) [61-S](#) [626-0194](#) [62-NBM-A](#) [62-SP](#) [63-S](#) [640179-1](#) [M55155/059I03](#) [M55155/079C01](#) [M55155/099H02](#) [M55155/109H01](#) [M55155/109H02](#) [M55155/12XH05](#) [M55155/16XH02](#) [M55155/29-5S](#) [M55155/29XJ08](#)