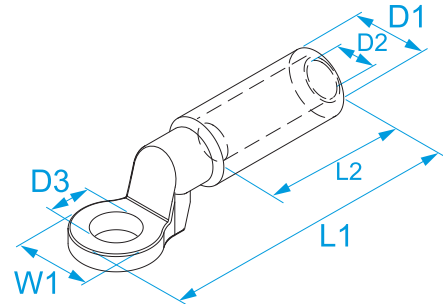


**Product family:** Terminals - Bimetallic terminals  
**Code:** 70602, 70603, 70604, 70605, 70606, 70607, 70608, 70609  
**Description:** BIMETALLIC TERMINAL LUGS · UNINSULATED DIN 48201 · RING

**Image:**




**Technical Drawing:**



**Specifications:**

**PALM MATERIAL:** copper 99.9%  
**BARREL MATERIAL:** aluminum 99.5%  
**CONDUCTOR CABLE MATERIAL:** L.V. and M.V. aluminium  
**OPERATING TEMPERATURE:** from -50 °C to +150 °C  
**APPLICATIONS:** useful where an aluminum cable has to be terminated by a copper bus bar or copper contact. Indeed a galvanic action occurs if terminals of only copper or aluminum are used due to dissimilar contact.  
**ACCORDING TO STD.:** DIN 48201  
**PROTECTION:** the conductor housing is filled with grease (dropping point 90 °C) and plugged with a plastic cap to avoid oxidation.

Code	Section (mm <sup>2</sup> )	Section (AWG/MCM)	For screw Ø screw (mm)	For screw Stud size	Indent	W1 (mm)	L1 (mm)	L2 (mm)	D1 (mm)	D2 (mm)	D3 (mm)	
70602	35	(2)	12	1/2"	13	25	90	43	14	8	13	25/25
70603	50	(1/0)	12	1/2"	15	25	92	43	16	9,8	13	25/25
70604	70	(2/0)	12	1/2"	18	25	92	45	18,5	11,2	13	20/20
70605	95	(3/0)	12	1/2"	21	25	92	45	22	13,2	13	20/20
70606	120	(4/0)	12	1/2"	22	32	120	60	23	14,7	13	10/10
70607	150	(300)	12	1/2"	25	32	120	60	25	16,3	13	10/10
70608	185	(400)	12	1/2"	28	35,5	125	60	28,5	18,3	13	10/10
70609	240	(500)	12	1/2"	32	35,5	125	65	32	21	13	10/10

## X-ON Electronics

Largest Supplier of Electrical and Electronic Components

*Click to view similar products for [Terminals](#) category:*

*Click to view products by [BM Group](#) manufacturer:*

Other Similar products are found below :

[00-054007-01074-6](#) [00-054007-70206-1](#) [00-054007-70210-8](#) [00-054007-70217-7](#) [00-054007-70226-9](#) [00-054007-70228-3](#) [00-054007-70248-1](#) [00-054007-70256-6](#) [00-054007-70301-3](#) [00-054007-70316-7](#) [00-054007-49560-4](#) [00-054007-70209-2](#) [00-054007-70225-2](#) [00-054007-70227-6](#) [00-054007-70231-3](#) [00-054007-70241-2](#) [00-054007-70242-9](#) [00-054007-70244-3](#) [00-054007-70246-7](#) [00-054007-70263-4](#) [00-054007-70288-7](#) [00-054007-70290-0](#) [00-054007-70300-6](#) [00-054007-70304-4](#) [01-2065-1-0216](#) [01-2900-1-04412](#) [00581P0075](#) [600TS-10](#) [60205-1](#) [604200-1](#) [605601-1](#) [60598-1-CUT-TAPE](#) [60617-1-C](#) [61314-6-C](#) [61810-3](#) [61-S](#) [626-0194](#) [62-NBM-A](#) [62-SP](#) [63-S](#) [640179-1](#) [M55155/059I03](#) [M55155/079C01](#) [M55155/099H02](#) [M55155/109H01](#) [M55155/109H02](#) [M55155/12XH05](#) [M55155/16XH02](#) [M55155/29-5S](#) [M55155/29XJ08](#)