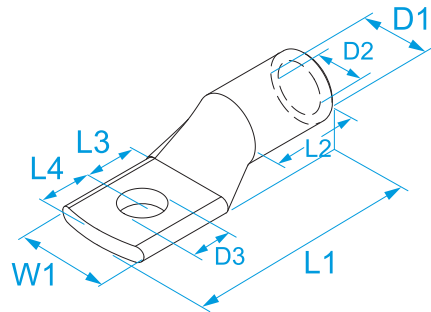


**Product family:** Terminals - Uninsulated tube terminals  
**Code:** 71537, 71637, 71643, 71737, 71743, 71837, 71843, 71849, 71943, 71949, 71955, 71961, 73143, 73149, 73155, 73161, 73243, 73249, 73255, 73261, 73349, 73355, 73361, 73367, 73455, 73461, 73467, 73555, 73561, 73567, 73661, 73761  
**Description:** TERMINAL LUGS FOR COPPER CONDUCTORS · UNINSULATED · LONG BARREL



**Technical Drawing:**



**Specifications:**

**TERMINAL MATERIAL:** tinned copper  
**OPERATING TEMPERATURE:** from -50 °C to +150 °C  
**CONDUCTOR CLASS:** Class 1 and 2 (rigid) and Class 5 (flexible) according to EN 60228  
**APPLICATIONS:** Suitable for outdoors installations (the absence of the inspection hole prevents the humidity and atmospheric agents infiltration). Suitable for heavy applications (the greater length of the barrel allows more crimping increasing the tensile strength). Suitable for the grounding of structures and equipment both indoors and outdoors.  
**ACCORDING TO STD.:** UL 486 A-B

Code Ref.	Rigid conductor section (mm <sup>2</sup> )	Rigid conductor section (AWG/MCM)	Flexible conductor section (mm <sup>2</sup> )	Flexible conductor section (AWG/MCM)	For screw Ø screw (mm)	For screw Stud size	Indent	W1 (mm)	L1 (mm)	L2 (mm)	L3 (mm)	L4 (mm)	D1 (mm)	D2 (mm)	D3 (mm)	
71537	16	(6)	16	(6)	8	5/16"	7,5	11,5	41	22	8,7	6,3	8	6	8,4	100/100
71637	25	(4)	25	(4)	8	5/16"	9	13,5	49	27	10	8	9,5	7	8,4	100/100
71643	25	(4)	25	(4)	10	3/8"	9	17,2	50	27	11,5	9	9,5	7	10,5	100/100
71737	35	(2)	35	(2)	8	5/16"	11	17	57	28	11	8,6	11,5	8,5	8,4	100/100
71743	35	(2)	35	(2)	10	3/8"	11	17	57	28	11	10	11,5	8,5	10,5	100/100
71837•	50	(1/0)	50	(1/0)	8	5/16"	12	19	67	35	12,7	10,5	13	10	8,4	100/100
71843	50	(1/0)	50	(1/0)	10	3/8"	12	19	67	35	13,7	9,5	13	10	10,3	50/100
71849	50	(1/0)	50	(1/0)	12	1/2"	12	21	67	35	15,3	12	13	10	12,5	50/100
71943•	70	(2/0)	70	(2/0)	10	3/8"	14	22	75	41	14,2	11,3	15	12	10,3	50/50
71949•	70	(2/0)	70	(2/0)	12	1/2"	14	22	75	41	14,2	11,3	15	12	12,5	50/50
71955•	70	(2/0)	70	(2/0)	14	9/16"	14	22	75	41	14,2	11,3	15	12	14,5	50/50
71961•	70	(2/0)	70	(2/0)	16	5/8"	14	22	75	41	14,2	11,3	15	12	16,5	50/50
73143•	95	(3/0)	95	(3/0)	10	3/8"	16	25	89	44	17,5	12,5	17	13,8	10,3	25/25
73149•	95	(3/0)	95	(3/0)	12	1/2"	16	25	89	44	17,5	12,5	17	13,8	12,5	25/25
73155•	95	(3/0)	95	(3/0)	14	9/16"	16	25	89	44	17,5	13	17	13,8	14,5	25/25
73161•	95	(3/0)	95	(3/0)	16	5/8"	16	25	89	44	17,5	13	17	13,8	16,5	25/25
73243	120	(4/0)	120	(4/0)	10	3/8"	18	28	101	50	22,5	14	19,5	15,5	10,4	25/25
73249	120	(4/0)	120	(4/0)	12	1/2"	18	28	101	50	22,5	14	19,5	15,5	12,5	25/25
73255	120	(4/0)	120	(4/0)	14	9/16"	18	28	101	50	22,5	14	19,5	15,5	14,5	25/25
73261	120	(4/0)	120	(4/0)	16	5/8"	18	28	101	50	22,5	14	19,5	15,5	16,5	25/25
73349	150	(300)	150	(300)	12	1/2"	20	31	104	51	22	16	21	17	12,5	25/25
73355	150	(300)	150	(300)	14	9/16"	20	31	104	51	22	16	21	17	14,5	25/25
73361	150	(300)	150	(300)	16	5/8"	20	31	104	51	22	16,5	21	17	16,5	25/25
73367	150	(300)	150	(300)	20	3/4"	20	31	104	51	23	16,5	21	17	21	25/25
73455	185	(400)	185	(400)	14	9/16"	22	35	104	55	18	16	24	19	14,5	10/10
73461	185	(400)	185	(400)	16	5/8"	22	35	104	55	19	17	24	19	16,5	10/10
73467	185	(400)	185	(400)	20	3/4"	22	35	104	55	22	20	24	19	21	10/10
73555	240	(500)	240	(500)	14	9/16"	25	39	108	58	18	16	27	21,5	14,5	10/10
73561	240	(500)	240	(500)	16	5/8"	25	39	110	58	19	17	27	21,5	17	10/10
73567	240	(500)	240	(500)	20	3/4"	25	39	116	58	22	20	27	21,5	21	10/10
73661	300	(600)	240	(500)	16	5/8"	28	44	122	60	22	20	30	24	17	10/10
73761•	400	(800)	300	(600)	16	5/8"	35	50	127	62	22	20	35	27	17	10/10

## X-ON Electronics

Largest Supplier of Electrical and Electronic Components

*Click to view similar products for [Terminals](#) category:*

*Click to view products by [BM Group](#) manufacturer:*

Other Similar products are found below :

[00-054007-01074-6](#) [00-054007-70206-1](#) [00-054007-70210-8](#) [00-054007-70217-7](#) [00-054007-70226-9](#) [00-054007-70228-3](#) [00-054007-70248-1](#) [00-054007-70256-6](#) [00-054007-70301-3](#) [00-054007-70316-7](#) [00-054007-49560-4](#) [00-054007-70209-2](#) [00-054007-70225-2](#) [00-054007-70227-6](#) [00-054007-70231-3](#) [00-054007-70241-2](#) [00-054007-70242-9](#) [00-054007-70244-3](#) [00-054007-70246-7](#) [00-054007-70263-4](#) [00-054007-70288-7](#) [00-054007-70290-0](#) [00-054007-70300-6](#) [00-054007-70304-4](#) [01-2065-1-0216](#) [01-2900-1-04412](#) [00581P0075](#) [600TS-10](#) [60205-1](#) [604200-1](#) [605601-1](#) [60598-1-CUT-TAPE](#) [60617-1-C](#) [61314-6-C](#) [61810-3](#) [61-S](#) [626-0194](#) [62-NBM-A](#) [62-SP](#) [63-S](#) [640179-1](#) [M55155/059I03](#) [M55155/079C01](#) [M55155/099H02](#) [M55155/109H01](#) [M55155/109H02](#) [M55155/12XH05](#) [M55155/16XH02](#) [M55155/29-5S](#) [M55155/29XJ08](#)