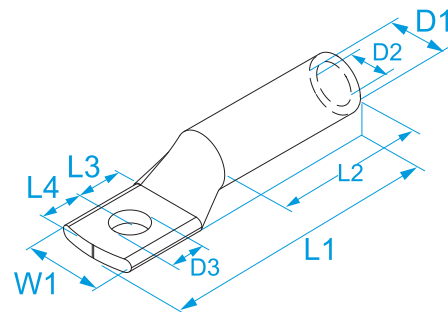


Product family:	Terminals - DIN standard terminals
Code:	80425, 80431, 80531, 80537, 80543, 80631, 80637, 80643, 80649, 80737, 80743, 80749, 80837, 80843, 80849, 80861, 80937, 80943, 80949, 80961, 83143, 83149, 83161, 83243, 83249, 83261, 83267, 83343, 83349, 83361, 83367, 83443, 83449, 83461, 83467, 83549, 83561, 83567
Description:	TERMINAL LUGS FOR COPPER CONDUCTORS · UNINSULATED · DIN 46235

Image:

Technical Drawing:

Specifications:

TERMINAL MATERIAL:	tinned copper
OPERATING TEMPERATURE:	from -50 °C to +150 °C
DIMENSIONS:	compliant to DIN 46235
ACCORDING TO STD.:	DIN 46235

Code	Section (mm ²)	Section (AWG/MCM)	For screw Ø screw (mm)	For screw Stud size	Indent	W1 (mm)	L1 (mm)	L2 (mm)	L3 (mm)	L4 (mm)	D1 (mm)	D2 (mm)	D3 (mm)	
80425	10	(8)	5	#10	6	9	36	10	6	9	6	4,5	5,3	100/100
80431	10	(8)	6	#12	6	9	36	10	8	10,5	6	4,5	6,4	
80531	16	(6)	6	#12	8	13	49	20	8	10,5	8,5	5,5	6,4	100/100
80537	16	(6)	8	5/16"	8	13	49	20	10	13	8,5	5,5	8,4	
80543	16	(6)	10	3/8"	8	17	53	20	12	15	8,5	5,5	10,5	100/100
80631	25	(4)	6	#12	10	14	48,5	20	8	10,5	10	7	6,4	
80637	25	(4)	8	5/16"	10	16	51	20	10	13	10	7	8,4	100/100
80643	25	(4)	10	3/8"	10	17	53	20	12	15	10	7	10,5	
80649	25	(4)	12	1/2"	10	19	54	20	13	16	10	7	13	100/100
80737	35	(2)	8	5/16"	12	17	55	20	10	13	12,5	8,5	8,4	
80743	35	(2)	10	3/8"	12	19	57	20	12	15	12,5	8,5	10,5	100/100
80749	35	(2)	12	1/2"	12	21	58	20	13	16	12,5	8,5	13	
80837	50	(1/0)	8	5/16"	14	20	65	28	10	13	14	10	8,4	50/50
80843	50	(1/0)	10	3/8"	14	22	67	28	12	15	14	10	10,5	
80849	50	(1/0)	12	1/2"	14	24	68	28	13	16	14	10	13	50/50
80861	50	(1/0)	16	5/8"	14	28	71	28	16	19	14	10	17	
80937	70	(2/0)	8	5/16"	16	24	68	28	10	13	16	11,5	8,4	50/50
80943	70	(2/0)	10	3/8"	16	24	70	28	12	15	16	11,5	10,5	
80949	70	(2/0)	12	1/2"	16	24	71	28	13	16	16	11,5	13	25/25
80961	70	(2/0)	16	5/8"	16	30	74	28	16	19	16	11,5	17	
83143	95	(3/0)	10	3/8"	18	28	80	35	12	15	19	13,8	10,5	25/25
83149	95	(3/0)	12	1/2"	18	28	81	35	13	16	19	13,8	13	
83161	95	(3/0)	16	5/8"	18	32	84	35	16	19	19	13,8	17	25/25
83243	120	(4/0)	10	3/8"	20	32	85	35	12	15	21	15,5	10,5	
83249	120	(4/0)	12	1/2"	20	32	86	35	13	16	21	15,5	13	25/25
83261	120	(4/0)	16	5/8"	20	32	89	35	16	19	21	15,5	17	
83267	120	(4/0)	20	3/4"	20	38	92	35	20	22	21	15,5	21	25/25
83343	150	(300)	10	3/8"	22	34	93	35	12	15	23,5	17	10,5	
83349	150	(300)	12	1/2"	22	34	94	35	13	16	23,5	17	13	25/25
83361	150	(300)	16	5/8"	22	34	97	35	16	19	23,5	17	17	
83367	150	(300)	20	3/4"	22	40	100	35	20	22	23,5	17	21	10/10
83443	185	(400)	10	3/8"	25	37	97	40	12	15	25,5	19	10,5	
83449	185	(400)	12	1/2"	25	37	98	40	13	16	25,5	19	13	10/10
83461	185	(400)	16	5/8"	25	37	101	40	16	19	25,5	19	17	
83467	185	(400)	20	3/4"	25	40	104	40	20	22	25,5	19	21	10/10
83549	240	(500)	12	1/2"	28	42	107	40	13	16	29	21,5	13	
83561	240	(500)	16	5/8"	28	42	108	40	16	19	29	21,5	17	10/10
83567	240	(500)	20	3/4"	28	45	111	40	20	22	29	21,5	21	

X-ON Electronics

Largest Supplier of Electrical and Electronic Components

Click to view similar products for [Terminals](#) category:

Click to view products by [BM Group](#) manufacturer:

Other Similar products are found below :

[00-054007-01074-6](#) [00-054007-70206-1](#) [00-054007-70210-8](#) [00-054007-70217-7](#) [00-054007-70226-9](#) [00-054007-70228-3](#) [00-054007-70248-1](#) [00-054007-70256-6](#) [00-054007-70301-3](#) [00-054007-70316-7](#) [00-054007-49560-4](#) [00-054007-70209-2](#) [00-054007-70225-2](#) [00-054007-70227-6](#) [00-054007-70231-3](#) [00-054007-70241-2](#) [00-054007-70242-9](#) [00-054007-70244-3](#) [00-054007-70246-7](#) [00-054007-70263-4](#) [00-054007-70288-7](#) [00-054007-70290-0](#) [00-054007-70300-6](#) [00-054007-70304-4](#) [01-2065-1-0216](#) [01-2900-1-04412](#) [00581P0075](#) [600TS-10](#) [60205-1](#) [604200-1](#) [605601-1](#) [60598-1-CUT-TAPE](#) [60617-1-C](#) [61314-6-C](#) [61810-3](#) [61-S](#) [626-0194](#) [62-NBM-A](#) [62-SP](#) [63-S](#) [640179-1](#) [M55155/059I03](#) [M55155/079C01](#) [M55155/099B03](#) [M55155/099H02](#) [M55155/109H01](#) [M55155/109H02](#) [M55155/12XH05](#) [M55155/16XH02](#) [M55155/29-5S](#)