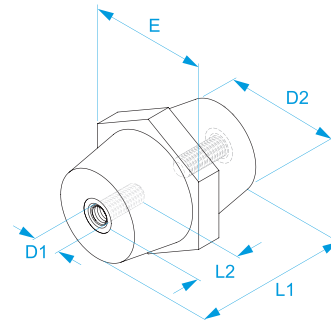


**Product family:** Panel boards components - Insulators and Spacers  
**Item code:** QHEP01604, QHEP02004, QHEP02006, QHEP02505, QHEP02506, QHEP03006, QHEP03008, QHEP03506, QHEP03508, QHEP03510, QHEP04006, QHEP04008, QHEP04010, QHEP04506, QHEP04508, QHEP04510, QHEP05006, QHEP05008, QHEP05010, QHEP05012, QHEP06008, QHEP06010, QHEP06012, QHEP07010, QHEP07012, QHEP07512  
**Description:** POLYESTER INSULATORS (L.V.)

**Image**



**Technical drawing**



**Specifications**

**INSULATION MATERIAL:** red polyester and fiberglass  
**INSERT MATERIAL:** galvanized steel threaded according to ISO standards  
**INSULATION SELF-EXTINGUISHING:** UL 94 V0  
**OPERATING TEMPERATURE:** from -40 °C to +135 °C  
**APPLICATIONS:** support of threaded and drilled copper bars

| Code      | L1 (mm) | D1  | L2 (mm) | E wrench (mm) | D2 (mm) | Tightening torque (Nm) | AC Voltage (kV) | DC Voltage (kV) | Tensile strength (daN) | Bending strength (daN) |       |
|-----------|---------|-----|---------|---------------|---------|------------------------|-----------------|-----------------|------------------------|------------------------|-------|
| QHEP01604 | 16      | M4  | 3,5     | 14            | 11      | 1,5                    | 0,6             | 0,8             | 80                     | 25                     | 50/50 |
| QHEP02004 | 20      | M4  | 5       | 18            | 14      | 2,5                    | 0,8             | 1,1             | 182                    | 65                     | 25/25 |
| QHEP02006 | 20      | M6  | 5       | 18            | 14      | 5                      | 0,8             | 1,1             | 195                    | 75                     |       |
| QHEP02505 | 25      | M5  | 7       | 21            | 16      | 5                      | 1               | 1,4             | 350                    | 92                     | 20/20 |
| QHEP02506 | 25      | M6  | 7       | 25            | 22      | 6                      | 1               | 1,4             | 540                    | 190                    |       |
| QHEP03006 | 30      | M6  | 9       | 32            | 24      | 6                      | 1,2             | 1,6             | 532                    | 154                    | 10/10 |
| QHEP03008 | 30      | M8  | 9       | 32            | 25      | 15                     | 1,2             | 1,6             | 796                    | 240                    |       |
| QHEP03506 | 35      | M6  | 12      | 32            | 26      | 6                      | 1,4             | 1,9             | 620                    | 244                    |       |
| QHEP03508 | 35      | M8  | 12      | 32            | 26      | 15                     | 1,4             | 1,9             | 670                    | 250                    | 10/10 |
| QHEP03510 | 35      | M10 | 12      | 32            | 26      | 20                     | 1,4             | 1,9             | 805                    | 190                    |       |
| QHEP04006 | 40      | M6  | 12      | 38            | 30      | 6                      | 1,6             | 2,2             | 870                    | 280                    |       |
| QHEP04008 | 40      | M8  | 12      | 39            | 31      | 20                     | 1,6             | 2,2             | 860                    | 340                    | 10/10 |
| QHEP04010 | 40      | M10 | 12      | 38            | 30      | 25                     | 1,6             | 2,2             | 1054                   | 345                    |       |
| QHEP04506 | 45      | M6  | 12      | 40            | 32      | 10                     | 1,8             | 2,5             | 990                    | 310                    |       |
| QHEP04508 | 45      | M8  | 12      | 40            | 32      | 20                     | 1,8             | 2,5             | 1100                   | 345                    | 10/10 |
| QHEP04510 | 45      | M10 | 12      | 40            | 32      | 30                     | 1,8             | 2,5             | 1220                   | 300                    |       |
| QHEP05006 | 50      | M6  | 12      | 46            | 35      | 10                     | 2               | 2,8             | 1120                   | 300                    |       |
| QHEP05008 | 50      | M8  | 17      | 46            | 35      | 20                     | 2               | 2,8             | 1500                   | 420                    | 10/10 |
| QHEP05010 | 50      | M10 | 17      | 46            | 35      | 30                     | 2               | 2,8             | 1550                   | 500                    |       |
| QHEP05012 | 50      | M12 | 17      | 46            | 35      | 50                     | 2               | 2,8             | 1511                   | 472                    |       |
| QHEP06008 | 60      | M8  | 17      | 50            | 38      | 20                     | 2,4             | 3,3             | 1200                   | 253                    |       |
| QHEP06010 | 60      | M10 | 17      | 50            | 38      | 30                     | 2,4             | 3,3             | 1570                   | 410                    | 4/4   |
| QHEP06012 | 60      | M12 | 17      | 50            | 38      | 50                     | 2,4             | 3,3             | 1640                   | 520                    |       |
| QHEP07010 | 70      | M10 | 22      | 55            | 41      | 30                     | 2,8             | 3,9             | 1720                   | 490                    | 4/4   |
| QHEP07012 | 70      | M12 | 22      | 55            | 41      | 50                     | 2,8             | 3,9             | 1800                   | 500                    |       |
| QHEP07512 | 75      | M12 | 22      | 53            | 42      | 50                     | 3               | 4,2             | 1840                   | 540                    | 4/4   |

## **X-ON Electronics**

Largest Supplier of Electrical and Electronic Components

*Click to view similar products for [BM Group](#) manufacturer:*

Other Similar products are found below :

[1360](#) [1371](#) [1610](#) [1620](#) [16201](#) [16202](#) [16203](#) [16204](#) [16205](#) [16206](#) [16207](#) [16208](#) [1621](#) [1630](#) [16307](#) [1650](#) [16506](#) [16507](#) [16508](#) [16509](#) [16510](#)  
[16511](#) [16512](#) [16513](#) [16514](#) [16517](#) [16519](#) [16522](#) [16608](#) [16610](#) [16613](#) [16617](#) [1919](#) [1929](#) [1943](#) [1949](#) [1950](#) [2507](#) [2509](#) [2511](#) [2512](#) [2513](#)  
[2516](#) [2517](#) [2520](#) [2521](#) [2525](#) [2529](#) [2532](#) [2536](#)