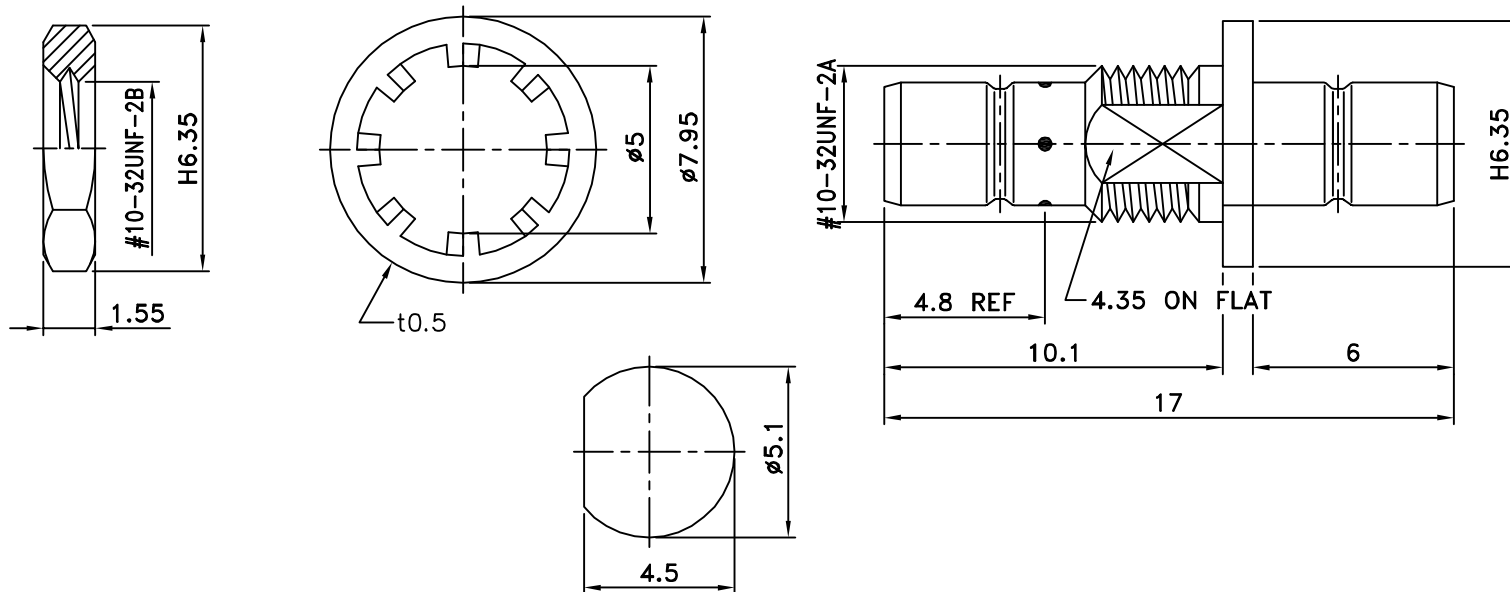


REV	DESCRIPTION\PER REQUEST	DRAWN	DATE



RECOMMENDED  
MOUNTING HOLE

5	Nut	1	Brass	Nickel	<table border="1"> <tr> <td>PART NO.</td> <td>1032A10505</td> <td>* MAJOR DIMENSION</td> <td rowspan="5">           Bomar Interconnect Products, Inc            TITLE            SMB BULKHEAD JACK TO JACK ADAPTER            DRAWING NO.            ASSMB-18062-TGN            REV A         </td> </tr> <tr> <td>APPROVED</td> <td>DATE</td> <td>UNLESS OTHERWISE NOTED TOLERANCES</td> </tr> <tr> <td>CHECKED</td> <td>DATE</td> <td>0.5-6=±0.2</td> </tr> <tr> <td>DRAWN</td> <td>DATE</td> <td>6-30=±0.4</td> </tr> <tr> <td></td> <td></td> <td>30-120=±0.6</td> </tr> <tr> <td></td> <td></td> <td>120-315=±1.0</td> </tr> <tr> <td></td> <td></td> <td>ANGLES=±1°</td> <td></td> </tr> <tr> <td>SCALE</td> <td>5/1</td> <td>UNIT</td> <td>mm</td> <td>FILE NO. W:\AS\ASSMB\ASSMB-18062-TGN Bomar-&gt;20121105</td> </tr> </table>	PART NO.	1032A10505	* MAJOR DIMENSION	Bomar Interconnect Products, Inc TITLE SMB BULKHEAD JACK TO JACK ADAPTER DRAWING NO. ASSMB-18062-TGN REV A	APPROVED	DATE	UNLESS OTHERWISE NOTED TOLERANCES	CHECKED	DATE	0.5-6=±0.2	DRAWN	DATE	6-30=±0.4			30-120=±0.6			120-315=±1.0			ANGLES=±1°		SCALE	5/1	UNIT	mm	FILE NO. W:\AS\ASSMB\ASSMB-18062-TGN Bomar->20121105
PART NO.	1032A10505	* MAJOR DIMENSION	Bomar Interconnect Products, Inc TITLE SMB BULKHEAD JACK TO JACK ADAPTER DRAWING NO. ASSMB-18062-TGN REV A																														
APPROVED	DATE	UNLESS OTHERWISE NOTED TOLERANCES																															
CHECKED	DATE	0.5-6=±0.2																															
DRAWN	DATE	6-30=±0.4																															
		30-120=±0.6																															
		120-315=±1.0																															
		ANGLES=±1°																															
SCALE	5/1	UNIT	mm	FILE NO. W:\AS\ASSMB\ASSMB-18062-TGN Bomar->20121105																													
4	Washer	1	Brass	Nickel																													
3	Dielectric	1	Teflon	None																													
2	Pin	1	Brass	Gold																													
1	Body	1	Brass	Nickel																													
NO	Description	Q'ty	Material	Finish	<table border="1"> <tr> <td>APPROVED</td> <td>DATE</td> <td>10/26/12</td> </tr> <tr> <td>CHECKED</td> <td>DATE</td> <td>10/26/12</td> </tr> <tr> <td>DRAWN</td> <td>DATE</td> <td>10/26/12</td> </tr> <tr> <td></td> <td>Wen</td> <td></td> </tr> </table>	APPROVED	DATE	10/26/12	CHECKED	DATE	10/26/12	DRAWN	DATE	10/26/12		Wen																	
APPROVED	DATE	10/26/12																															
CHECKED	DATE	10/26/12																															
DRAWN	DATE	10/26/12																															
	Wen																																

## X-ON Electronics

Largest Supplier of Electrical and Electronic Components

*Click to view similar products for [RF Connectors / Coaxial Connectors](#) category:*

*Click to view products by [Bomar Interconnect](#) manufacturer:*

Other Similar products are found below :

[8915-1511-000](#) [89674-0827](#) [6001-7071-019](#) [6002-7051-003](#) [6002-7551-202](#) [6059674-1](#) [619550-1](#) [630059-000](#) [M39030/3-01N](#) [6500-7071-046](#) [6769](#) [CX050L2AQ](#) [7002-1541-010](#) [7002-1542-011](#) [7004-1512-000](#) [7009-1511-004](#) [7010-1511-000](#) [7029-1511-060](#) [7101-1541-010](#) [7101-1571-002](#) [7145-1521-002](#) [7203-1571-003](#) [7209-1511-011](#) [7210-1511-015](#) [7210-1511-019](#) [73137-5015](#) [73216-2241](#) [73404-2300](#) [7405-1521-005](#) [7405-1521-802](#) [8527](#) [8547](#) [FS11V](#) [877931](#) [8808-1511-001](#) [9074-9513-000](#) [9101-9573-002](#) [910A205F](#) [9130-9573-002](#) [PL11SC-026](#) [PL375-33](#) [PL40-5](#) [PL74C-221](#) [PL75MC-217](#) [PL803-7](#) [1200690078](#) [1-201144-1](#) [R107003010W](#) [R110A172100](#) [R112186000](#)