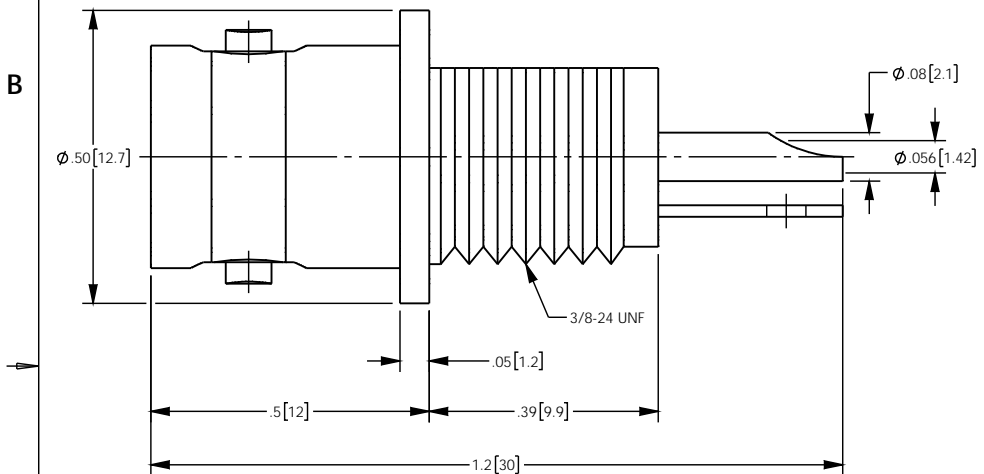
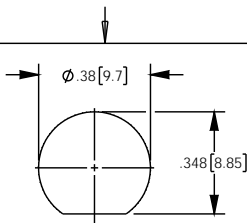
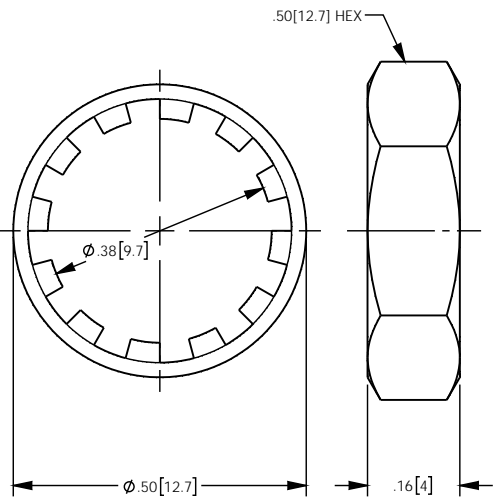


This document, including the design, configuration and mechanical features revealed herein are the sole, confidential and proprietary property of Winchester Interconnect. Reproduction or use thereof, in whole or part, is prohibited without the prior written consent of Winchester Interconnect.

RECOMMENDED MOUNTING HOLE



REV	DESCRIPTION	DATE	APPROVED
C	ER073243	09/05/18	DCAM



- NOTES: UNLESS OTHERWISE SPECIFIED
- MATERIAL SPECIFICATIONS:  
CONTACT: PHOSPHOR BRONZE  
INSULATOR: NYLON  
LOCK WASHER: S50C  
ALL OTHER METAL PARTS: BRASS
  - FINISH SPECIFICATIONS:  
CONTACT: GOLD  
BRAID GROUNDING: BRIGHT TIN  
ALL OTHER METAL PARTS: NICKEL
  - ELECTRICAL SPECIFICATIONS:  
IMPEDANCE: 50 OHMS  
FREQUENCY RANGE: DC - 3.0 GHz
  - LOCK WASHER AND HEX NUT SHIPPED LOOSE.
  - MAX PANEL THICKNESS = .126 [3.2].
  - A MAXIMUM TORQUE OF 12 IN-LB MAY BE APPLIED ON THE HEX NUT WHEN MOUNTING THE CONNECTOR IN THE PANEL.

UNLESS OTHERWISE SPECIFIED:  
DIMENSIONS ARE IN INCHES [MM]

TOLERANCES:  
.X[X]: ±0.1[3]  
.XX[X.X]: ±0.01[0.3]  
XXX[X.XX]: ±0.005[0.13]  
ANGLES: ±2.0°

CATALOG P/N: 326R515



DRAWN JI	DATE 09/05/2018		245 Lynnfield St Peabody, MA 01960
APPR DCAM	DATE 09/05/18		
APPR XXX	DATE XX/XX/XX	TITLE: BNC BULKHEAD RECEPT. ISOLATED JACK (RoHS)	
APPR XXX	DATE XX/XX/XX	THIRD ANGLE PROJECTION	REV C
SIZE A		DWG. NO. SD326R515	
SH 1 OF 1			

09M029-C

## X-ON Electronics

Largest Supplier of Electrical and Electronic Components

*Click to view similar products for [RF Connectors / Coaxial Connectors](#) category:*

*Click to view products by [Bomar Interconnect](#) manufacturer:*

Other Similar products are found below :

[8915-1511-000](#) [89674-0827](#) [6001-7071-019](#) [6002-7051-003](#) [6002-7551-202](#) [6059674-1](#) [619550-1](#) [630059-000](#) [M39030/3-01N](#) [6500-7071-046](#) [6769](#) [CX050L2AQ](#) [7002-1541-010](#) [7002-1542-011](#) [7004-1512-000](#) [7009-1511-004](#) [7010-1511-000](#) [7029-1511-060](#) [7101-1541-010](#) [7101-1571-002](#) [7145-1521-002](#) [7203-1571-003](#) [7209-1511-011](#) [7210-1511-015](#) [7210-1511-019](#) [73137-5015](#) [73216-2241](#) [73404-2300](#) [7405-1521-005](#) [7405-1521-802](#) [8527](#) [8547](#) [FS11V](#) [877931](#) [8808-1511-001](#) [9049-9513-000](#) [9074-9513-000](#) [9101-9573-002](#) [910A205F](#) [9130-9573-002](#) [PL11SC-026](#) [PL375-33](#) [PL40-5](#) [PL74C-221](#) [PL75MC-217](#) [PL803-7](#) [1200690078](#) [1-201144-1](#) [R107003010W](#) [R110A172100](#)