

NOTES: UNLESS OTHERWISE SPECIFIED
 1. MATERIAL SPECIFICATIONS:
 BODY: BERYLLIUM COPPER
 CONTACT: PHOSPHOR BRONZE
 INSULATOR: PTFE
 SPRING: STEEL
 GASKET: SI-RUBBER
 ALL OTHER METAL PARTS: BRASS

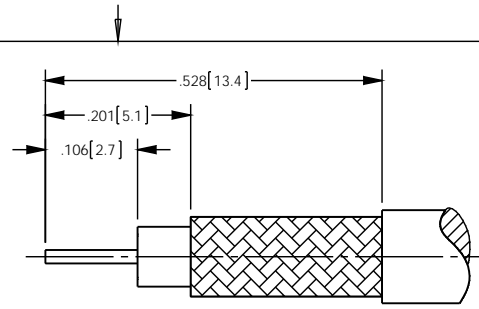
2. FINISH SPECIFICATIONS:
 CONTACT: GOLD
 ALL OTHER METAL PARTS: NICKEL

3. ELECTRICAL SPECIFICATIONS:
 IMPEDANCE: 75 OHMS
 FREQUENCY RANGE: DC - 12 GHz
 RETURN LOSS: -30 dB MAX TO 3 GHz
 -20 dB MAX TO 6 GHz

4. COMPLIANT TO 3G/6G/12G SDI SMPTE REQUIREMENTS.

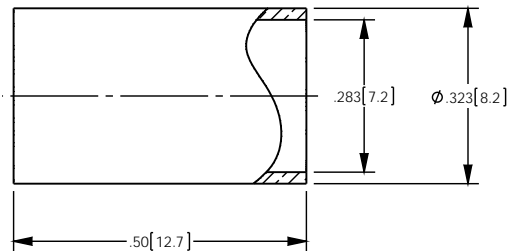
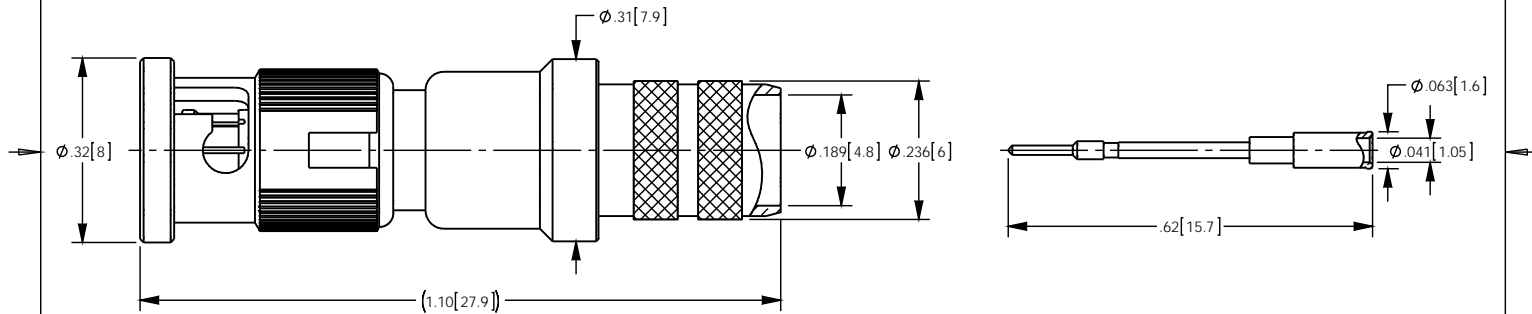
5. CRIMP CONTACT TO .042[1.06] SQ AND FERRULE TO .278[7.06] HEX.

6. CONTACT AND FERRULE SHIPPED LOOSE.



RECOMMENDED CABLE STRIPPING DIM'S

REV	DESCRIPTION	BY DATE	APPD
C	ER057798	JL 04/21/15	VA



CATALOG P/N: HHD1694A

PER ASME Y14.5M-1994 UNLESS OTHERWISE SPECIFIED, DIMENSIONS ARE IN INCHES (MM) TOLERANCES: DECIMAL: .XX [XX] ± .01 [0.3] .XXX [XXX] ± .005 [0.13] .XXXX [XXXX] ± .000X ANGLES: ± 2° SCALE: X:X		 by WINCHESTER Winchester Electronics Corporation 199 Park Road Ext Suite 104 Middlebury, Connecticut, 06762	
CUSTOMER SALES DRAWING		THIRD ANGLE 	HDBNC CRIMP PLUG FOR BELDEN 1694A CABLE OR EQUIVALENT (ROHS COMPLIANT)
DRAWN	DATE	APPROVED	DATE
JL	04/21/2015	MARK	04/21/2015
APPROVED	DATE	APPROVED	DATE
XXX	XX/XX/XX	XXX	XX/XX/XX
A		SDHHD1694A	SHIT OF REV 1 1 C

X-ON Electronics

Largest Supplier of Electrical and Electronic Components

Click to view similar products for [RF Connectors / Coaxial Connectors](#) category:

Click to view products by [Bomar Interconnect](#) manufacturer:

Other Similar products are found below :

[8915-1511-000](#) [89674-0827](#) [6001-7071-019](#) [6002-7051-003](#) [6002-7551-202](#) [6059674-1](#) [619550-1](#) [630059-000](#) [M39030/3-01N](#) [6500-7071-046](#) [6769](#) [CX050L2AQ](#) [7002-1541-010](#) [7002-1542-011](#) [7004-1512-000](#) [7009-1511-004](#) [7010-1511-000](#) [7029-1511-060](#) [7101-1541-010](#) [7101-1571-002](#) [7145-1521-002](#) [7203-1571-003](#) [7209-1511-011](#) [7210-1511-015](#) [7210-1511-019](#) [73137-5015](#) [73216-2241](#) [73404-2300](#) [7405-1521-005](#) [7405-1521-802](#) [8527](#) [8547](#) [FS11V](#) [877931](#) [8808-1511-001](#) [9049-9513-000](#) [9074-9513-000](#) [9101-9573-002](#) [910A205F](#) [9130-9573-002](#) [PL11SC-026](#) [PL375-33](#) [PL40-5](#) [PL74C-221](#) [PL75MC-217](#) [PL803-7](#) [1200690078](#) [1-201144-1](#) [R107003010W](#) [R110A172100](#)