

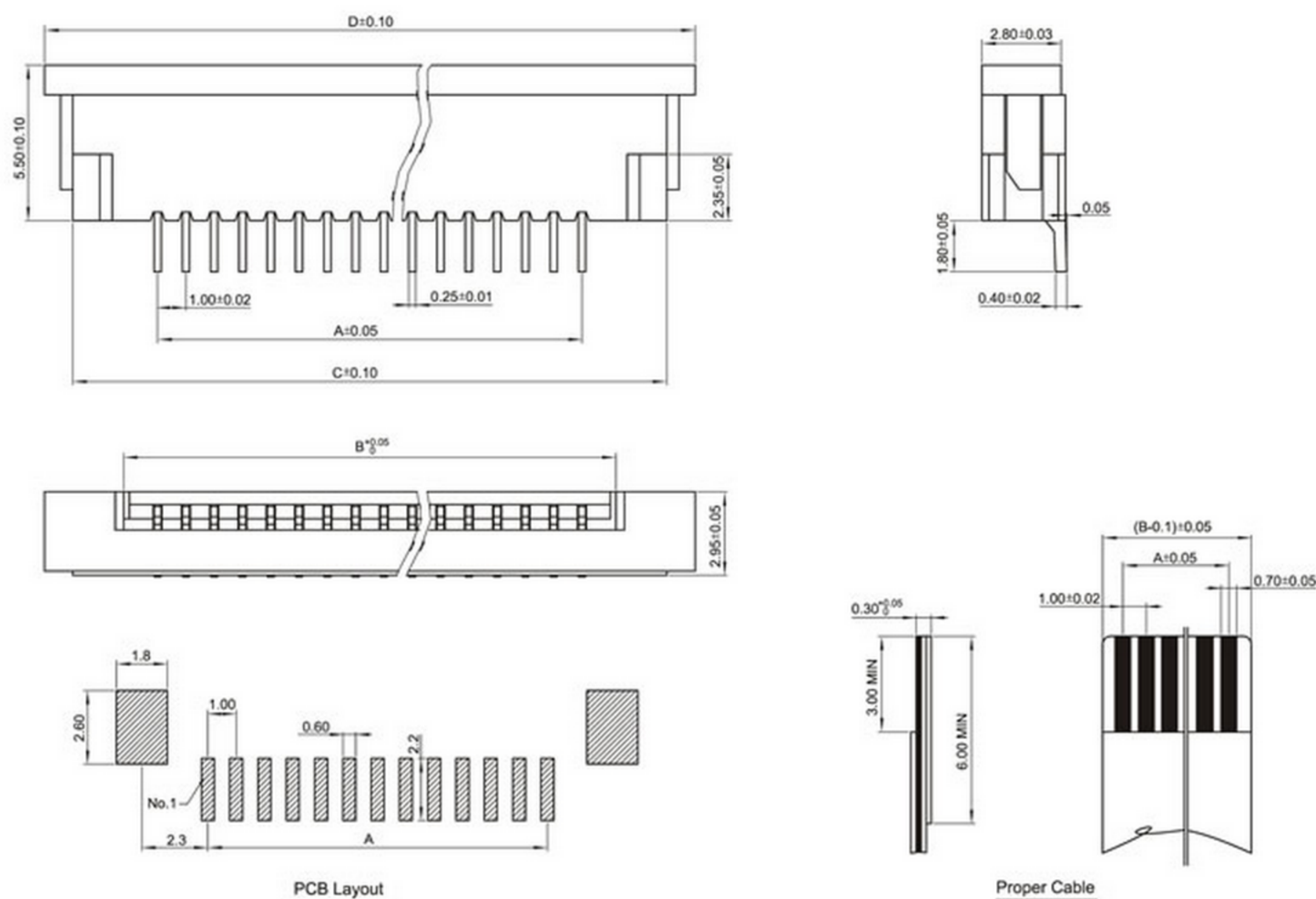
◆ SPECIFICATIONS

Unit:mm

- ◇ Poles: 4~35
- ◇ Applicable wire: AWG#28-#22
- ◇ Voltage rating: 50V DC/AC
- ◇ Current rating: 0.5A
- ◇ Withstand voltage: 500V AC
- ◇ Working Temperature: -25°C ~ +85°C
- ◇ Insulation resistance: ≥ 500MΩ
- ◇ Contact resistance: ≤ 0.03Ω
- ◇ Applicable PC board thickness: 0.6~1.2mm

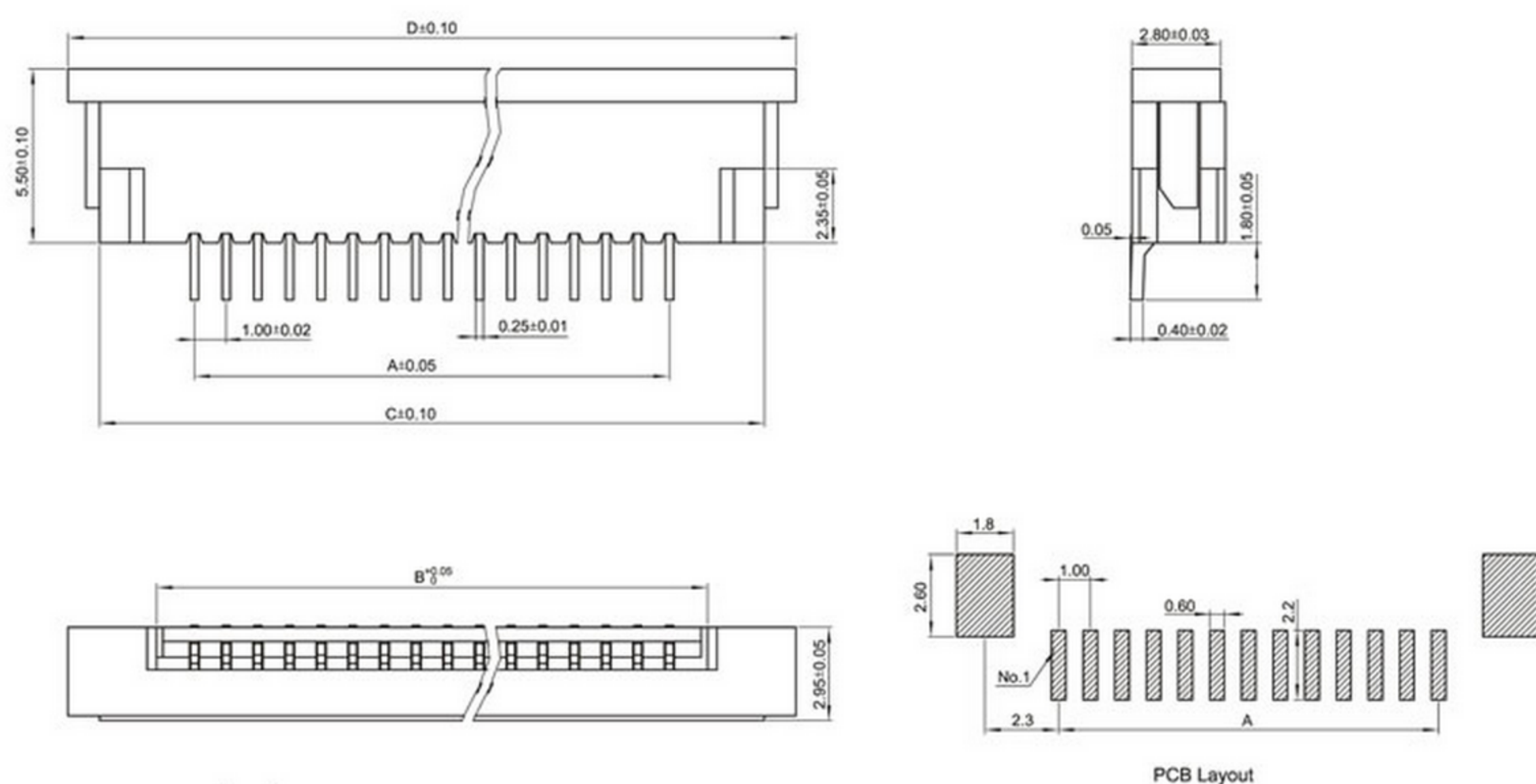
UL:Recognized No.E309635  
RoHS-specification and Halogen-free products

FPC1.0-2-nP 上接

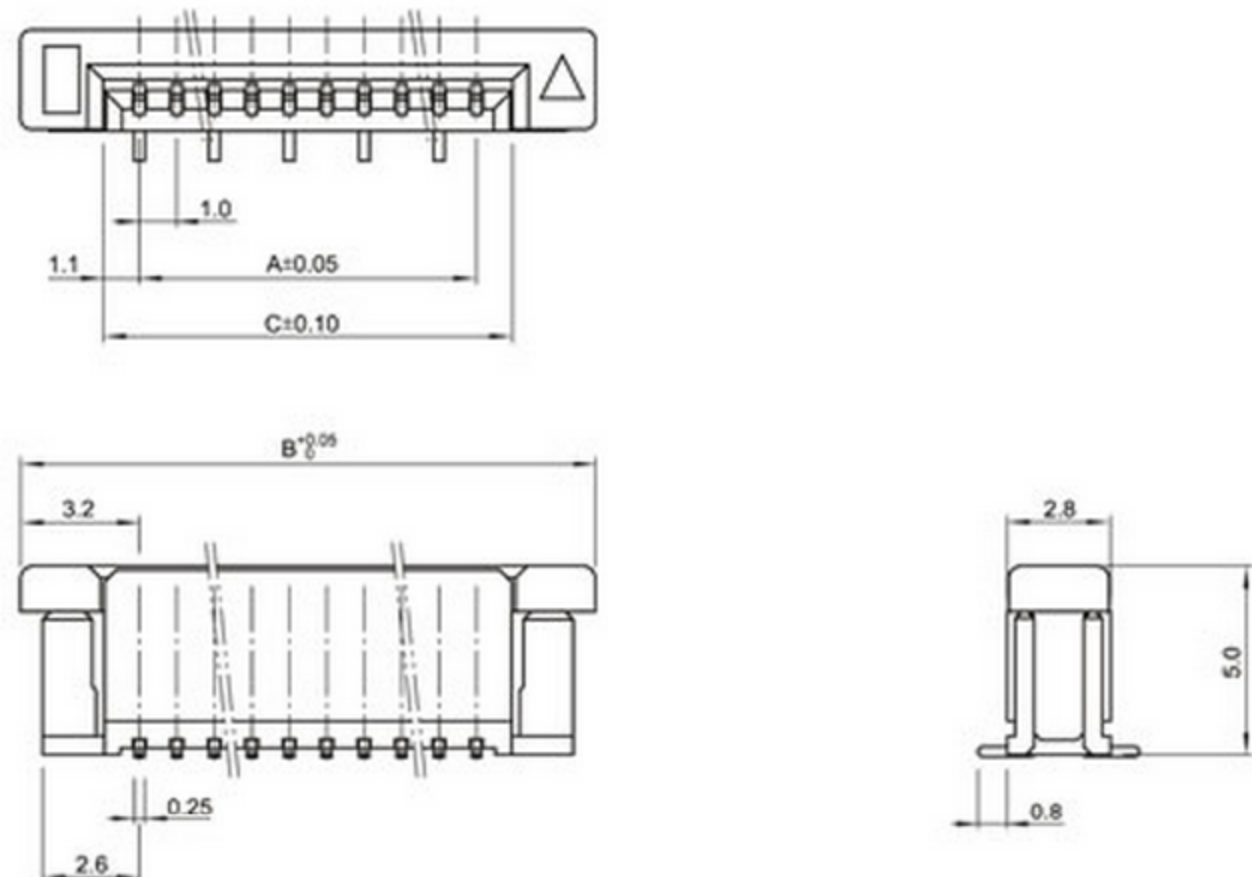


FPC1.0-2-nP 下接

Unit:mm



FPC1.0-2-nP 立贴



Poles	Type	Size(mm)			
		A	B	C	D
4	FPC 1.0-2-4Y	3.0	5.4	9.0	7.5
5	FPC 1.0-2-5Y	4.0	6.4	10.0	8.0
6	FPC 1.0-2-6Y	5.0	7.4	11.0	8.5
7	FPC 1.0-2-7Y	6.0	8.4	12.0	9.0
8	FPC 1.0-2-8Y	7.0	9.4	13.0	9.5
9	FPC 1.0-2-9Y	8.0	10.4	14.0	10.0
10	FPC 1.0-2-10Y	9.0	11.4	15.0	10.5
11	FPC 1.0-2-11Y	10.0	12.4	16.0	11.0
12	FPC 1.0-2-12Y	11.0	13.4	17.0	11.5
13	FPC 1.0-2-13Y	12.0	14.4	18.0	12.0
14	FPC 1.0-2-14Y	13.0	15.4	19.0	12.5

Poles	Type	Size(mm)			
		A	B	C	D
15	FPC 1.0-2-15Y	14.0	16.4	20.0	13.0
16	FPC 1.0-2-16Y	15.0	17.4	21.0	13.5
17	FPC 1.0-2-17Y	16.0	18.4	22.0	14.0
18	FPC 1.0-2-18Y	17.0	19.4	23.0	14.5
19	FPC 1.0-2-19Y	18.0	20.4	24.0	15.0
20	FPC 1.0-2-20Y	19.0	21.4	25.0	15.5
21	FPC 1.0-2-21Y	20.0	22.4	26.0	16.0
22	FPC 1.0-2-22Y	21.0	23.4	27.0	16.5
23	FPC 1.0-2-23Y	22.0	24.4	28.0	17.0
24	FPC 1.0-2-24Y	23.0	25.4	29.0	17.5
25	FPC 1.0-2-25Y	24.0	26.4	30.0	18.0

Poles	Type	Size(mm)			
		A	B	C	D
26	FPC 1.0-2-26Y	25.0	27.4	31.0	18.5
27	FPC 1.0-2-27Y	26.0	28.4	32.0	19.0
28	FPC 1.0-2-28Y	27.0	29.4	33.0	19.5
29	FPC 1.0-2-29Y	28.0	30.4	34.0	20.0
30	FPC 1.0-2-30Y	29.0	31.4	35.0	20.5
31	FPC 1.0-2-31Y	30.0	32.4	36.0	21.0
32	FPC 1.0-2-32Y	31.0	33.4	37.0	21.5
33	FPC 1.0-2-33Y	32.0	34.4	38.0	22.0
34	FPC 1.0-2-34Y	33.0	35.4	39.0	22.5
35	FPC 1.0-2-35Y	34.0	36.4	40.0	23.0

## X-ON Electronics

Largest Supplier of Electrical and Electronic Components

*Click to view similar products for [FFC & FPC Connectors](#) category:*

*Click to view products by [Boom](#) manufacturer:*

Other Similar products are found below :

[00-6200-227-022-800](#) [006205250500825+](#) [006205280500825+](#) [FPH-1602G](#) [086222026001800](#) [52610-0675](#) [62674-201121DLF](#) [52746-1671-TR250](#) [10051922-1610EHLF](#) [10051922-2810EHLF](#) [686322124422](#) [XF3M-2915-1B-R100](#) [AYF353125A](#) [AYF530665TA](#) [AYF534065TA](#) [20FLH-RSM1-TB](#) [207356-1](#) [SFW12R-5STE9LF](#) [SFW18R-1STAE9LF](#) [SFW4R-5STE9LF](#) [52807-0430](#) [046283021002868+](#) [FFC05011-10SBB114W5M](#) [502250-8027](#) [67000-008LF](#) [200528-0260](#) [FH28K-10S-0.5SH](#) [FH52K-6S-0.5SH](#) [0.5K-DX-30PWB](#) [DS1020-08-10VBT12](#) [THD0515-34CL-GF](#) [X05A10L28G](#) [ECC2841061EU](#) [1.0K-DHQX-16PWB](#) [1.0K-DHQX-30PWB](#) [1775333-6](#) [10054365-202110ELF](#) [10054365-242110ELF](#) [10054365-282110ELF](#) [10064555-392220HLF](#) [59453-041110EBHLF](#) [59453-091110EDHLF](#) [62674-241141ALF](#) [62684-432100ALF](#) [62684-451100AHLF](#) [62684-5721N0ALF](#) [HFW11R-1STE1MTLF](#) [HFW12R-1STE9LF](#) [HFW14R-1STE9MTLF](#) [HFW18S-2STE9LF](#)