

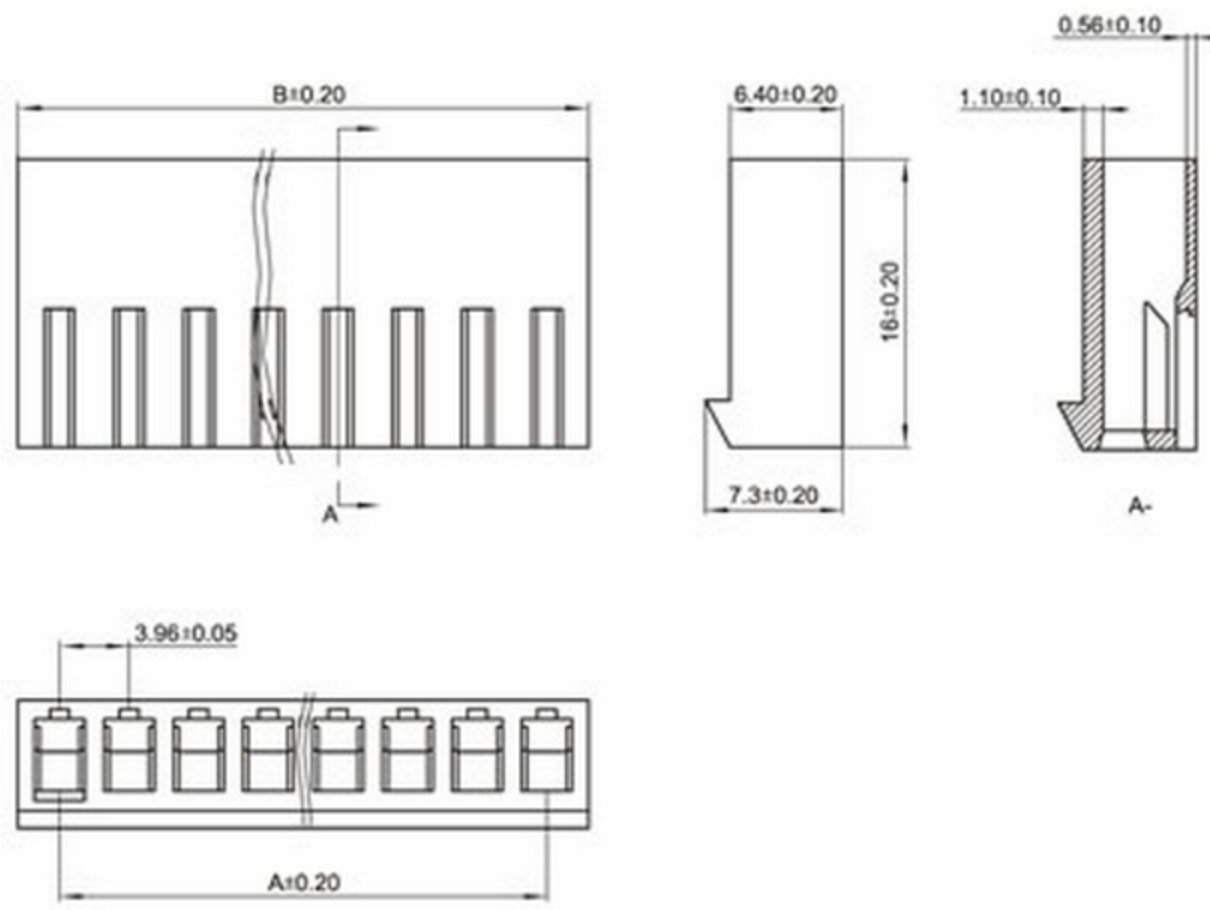
◆ SPECIFICATIONS

Unit:mm

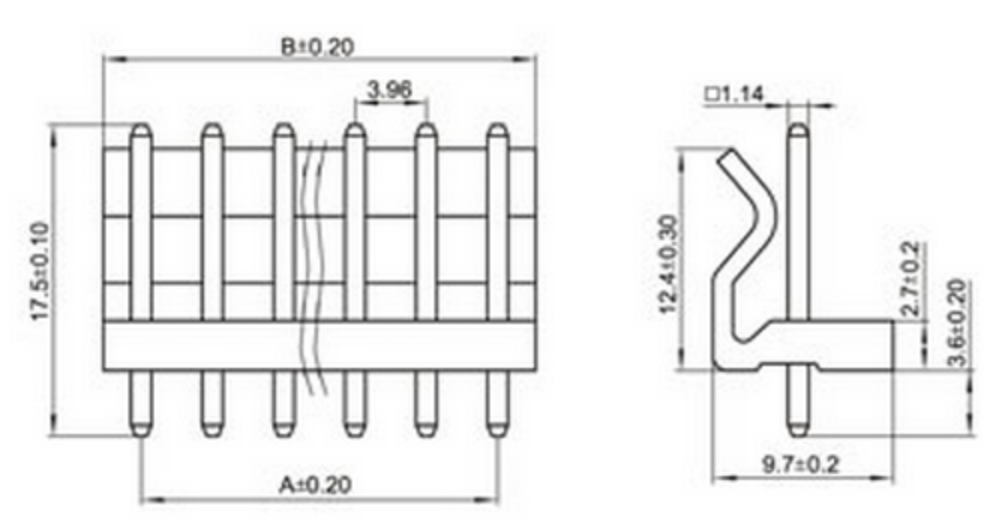
- ◇ Poles: 2~12
- ◇ Applicable wire: AWG#22-#30
- ◇ Voltage rating: 250V DC/AC
- ◇ Current rating: 6A
- ◇ Withstand voltage: 1500V AC
- ◇ Working Temperature: -25°C~+85°C
- ◇ Insulation resistance: ≥ 1000MΩ
- ◇ Contact resistance: ≤ 0.01Ω
- ◇ Applicable PC board thickness: 1.6mm

UL:Recognized No.E309635
RoHS-specification and Halogen-free products

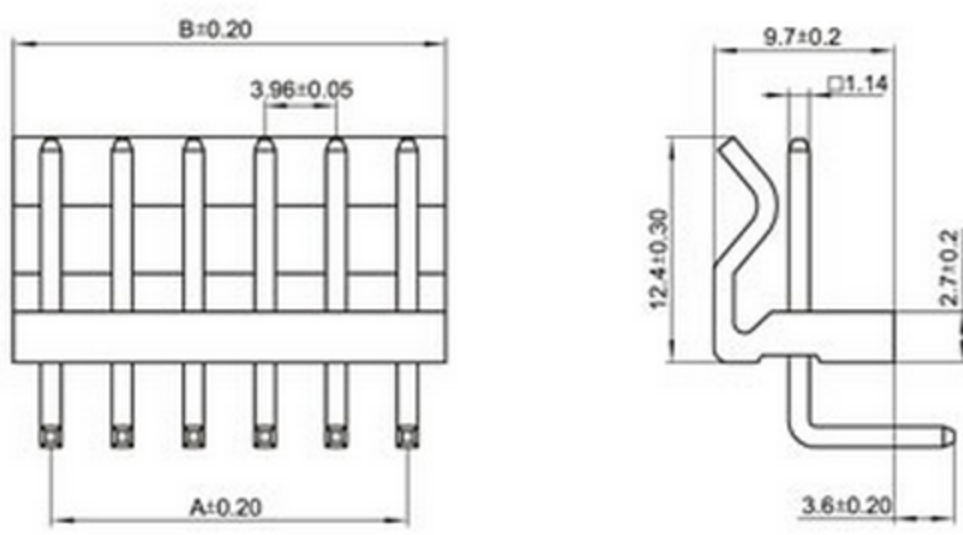
CH3.96-nY



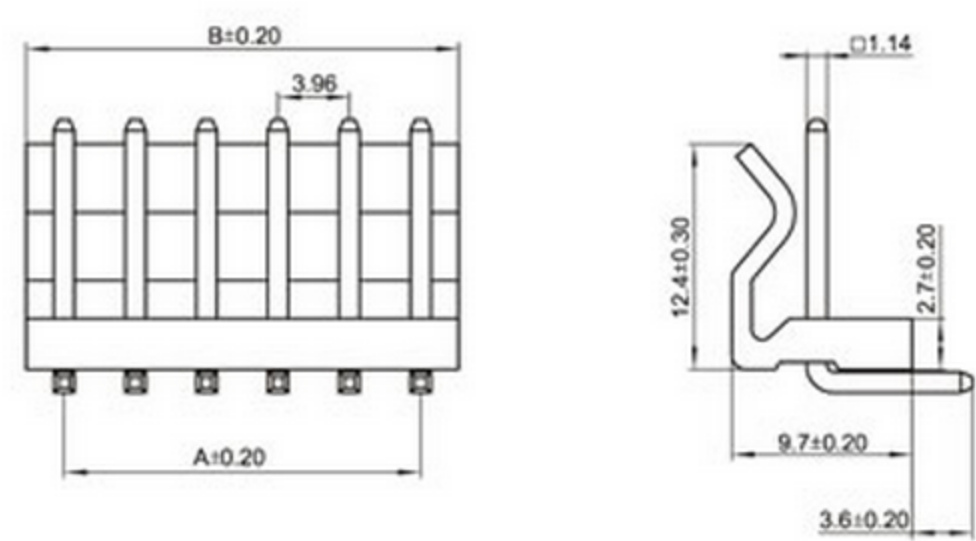
CH3.96-nA



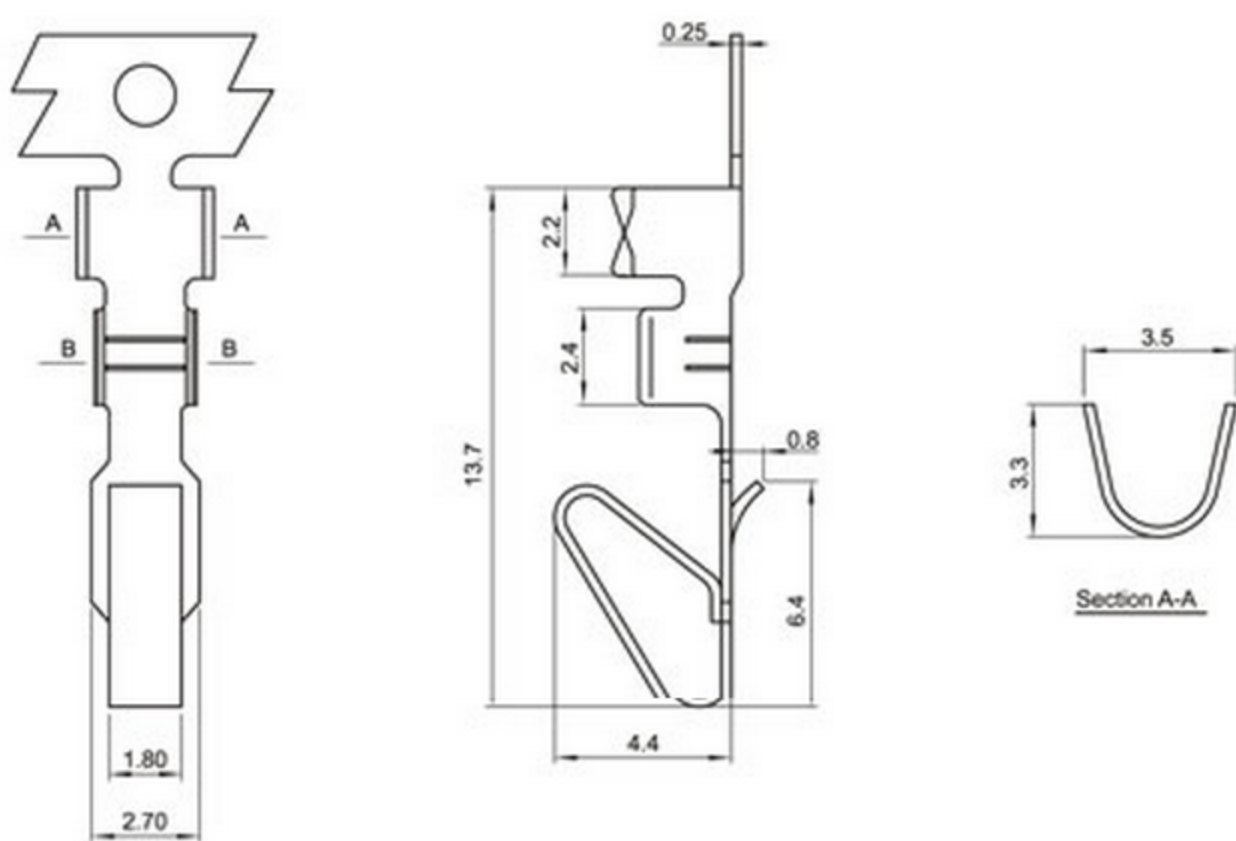
CH3.96-nAGW



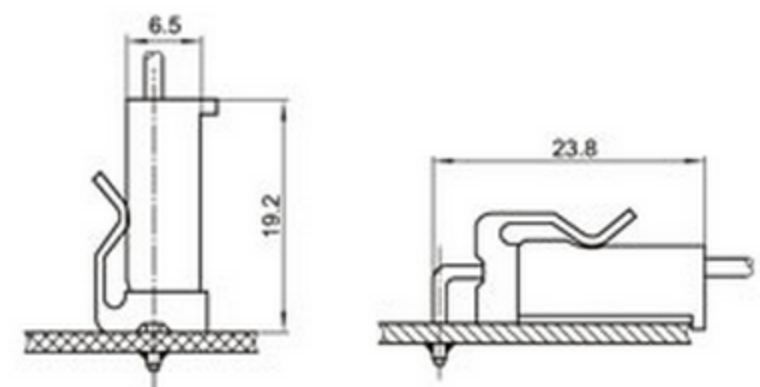
CH3.96-nAW



CH3.96-PT



Mounting Measurement

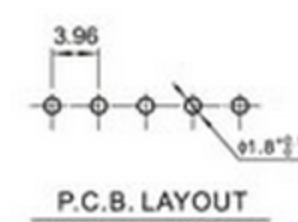


Terminal(CH3.96)

Type	Applicable wires		O.D of wire ins mm	Material	Finish
	mm ²	AWG#			
BM-CH3.96	0.08~0.3	22~32	1.2~1.9	Phos.bronze	Tin-plated

Poles	Type	Size(mm)	
		A	B
2	CH3.96-2Y	3.96	8.65
3	CH3.96-3Y	7.92	12.61
4	CH3.96-4Y	11.88	16.57
5	CH3.96-5Y	15.84	20.53
6	CH3.96-6Y	19.80	24.49
7	CH3.96-7Y	23.76	28.45
8	CH3.96-8Y	27.72	32.41
9	CH3.96-9Y	31.68	36.37
10	CH3.96-10Y	35.64	40.33
11	CH3.96-11Y	39.60	44.29
12	CH3.96-12Y	43.56	48.25
13	CH3.96-13Y	47.52	52.21
14	CH3.96-14Y	51.48	56.17
15	CH3.96-15Y	55.44	60.13

Poles	Type	Size(mm)	
		A	B
2	CH3.96-2A	3.96	3.96
3	CH3.96-3A	7.92	11.90
4	CH3.96-4A	11.88	16.00
5	CH3.96-5A	15.84	20.00
6	CH3.96-6A	19.80	24.00
7	CH3.96-7A	23.76	27.85
8	CH3.96-8A	27.72	31.80
9	CH3.96-9A	31.68	35.70
10	CH3.96-10A	35.64	39.40
11	CH3.96-11A	39.60	43.40
12	CH3.96-12A	43.56	47.40
13	CH3.96-13A	47.52	51.40
14	CH3.96-14A	51.48	55.40
15	CH3.96-15A	55.44	59.40



X-ON Electronics

Largest Supplier of Electrical and Electronic Components

Click to view similar products for [Headers & Wire Housings](#) category:

Click to view products by [Boom](#) manufacturer:

Other Similar products are found below :

[57102-F02-18ULF](#) [58102-G61-06LF](#) [0009485154](#) [009176003701906](#) [0050291907](#) [02.125.8002.8](#) [609-3404](#) [61062-3](#) [622-0430](#) [622-3653LF](#)
[63453-116](#) [636-1030](#) [636-1427](#) [636-3427](#) [636-4007](#) [641938-9](#) [65495-038](#) [65692-001LF](#) [65781-018](#) [65781-047](#) [65817-010LF](#) [65817-015LF](#)
[66207-023LF](#) [67016-026LF](#) [67095-007LF](#) [68631-112](#) [68645-018](#) [68648-049](#) [699319-000](#) [70.362.1628.0](#) [70-4210](#) [70-4226B](#) [70-4853B](#) [707-](#)
[5020](#) [707-5028](#) [71.350.2428.0](#) [71961-016LF](#) [733-134](#) [754199-000](#) [760-3052](#) [787-8014-00](#) [FCN-367T-T012/H](#) [80.063.4001.1](#) [800-90-001-](#)
[10-001000](#) [800-90-010-10-002000](#) [801-43-002-10-013000](#) [801-43-006-10-002000](#) [803-41-018-10-001000](#) [803-43-014-20-001000](#)
[803-43-024-10-001000](#)