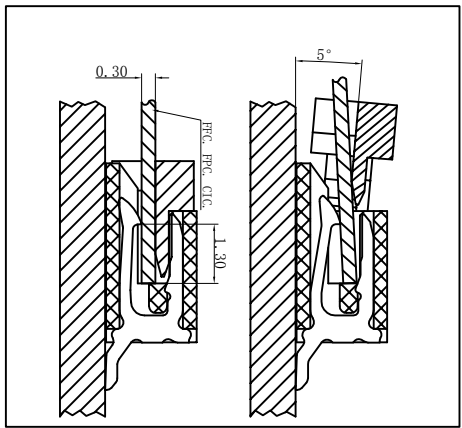


Electrical
 Voltage: 50 V AC(rms)/DC
 Current: 0.5 A AC(rms)/DC
 Contact Resistance: 40 mΩ max (initial)
 Dielectric Withstanding Voltage: 200 V AC/rms
 Insulation Resistance: 500 MΩ min
 Operating Temp: -25° C ~ +85° C



| 版次 (REV) | 变更编号 (ECN NO) | 说明 (DESCRIPTION) | 日期 (DATE) | 核准 (APP) |
|----------|---------------|------------------|-----------|----------|
| X1 | | 初版发行, 修改部分公差 | | |
| X2 | | 新增D尺寸 | 2011.6.8 | |

| 料号 | Δ | B | C | D | 1: 零场 | 2: 壳场 | 3: 键合 | A | B | C | D |
|-----|--------|--------|--------|-------|-------|--------|--------|--------|-------|---|---|
| 004 | 1,500 | 2,600 | 8,500 | 5,450 | 036 | 17,000 | 18,100 | 23,900 | 5,950 | | |
| 003 | 2,000 | 3,100 | 8,800 | 5,450 | 036 | 17,000 | 18,100 | 23,900 | 5,950 | | |
| 006 | 2,500 | 3,600 | 9,000 | 5,450 | 037 | 18,500 | 19,100 | 25,900 | 5,950 | | |
| 007 | 3,000 | 4,100 | 9,300 | 5,450 | 038 | 18,500 | 19,500 | 25,900 | 5,950 | | |
| 008 | 3,500 | 4,600 | 9,600 | 5,450 | 039 | 19,000 | 20,100 | 25,900 | 5,950 | | |
| 009 | 4,000 | 5,100 | 9,900 | 5,450 | 040 | 19,000 | 20,600 | 26,900 | 5,950 | | |
| 010 | 4,500 | 5,600 | 10,200 | 5,450 | 041 | 20,000 | 21,100 | 26,900 | 5,950 | | |
| 011 | 5,000 | 6,100 | 10,500 | 5,450 | 042 | 20,000 | 21,600 | 27,900 | 5,950 | | |
| 012 | 5,500 | 6,600 | 10,800 | 5,450 | 043 | 21,000 | 22,100 | 27,900 | 5,950 | | |
| 013 | 6,000 | 7,100 | 11,100 | 5,450 | 044 | 21,000 | 22,600 | 28,900 | 5,950 | | |
| 014 | 6,500 | 7,600 | 11,400 | 5,450 | 045 | 22,000 | 23,100 | 28,900 | 5,950 | | |
| 015 | 7,000 | 8,100 | 11,700 | 5,450 | 046 | 22,000 | 23,600 | 29,900 | 5,950 | | |
| 016 | 7,500 | 8,600 | 12,000 | 5,450 | 047 | 23,000 | 24,100 | 29,900 | 5,950 | | |
| 017 | 8,000 | 9,100 | 12,300 | 5,450 | 048 | 23,000 | 24,600 | 30,900 | 5,950 | | |
| 018 | 8,500 | 9,600 | 12,600 | 5,450 | 049 | 24,000 | 25,100 | 30,900 | 5,950 | | |
| 019 | 9,000 | 10,100 | 12,900 | 5,450 | 050 | 24,000 | 25,600 | 31,900 | 5,950 | | |
| 020 | 9,500 | 10,600 | 13,200 | 5,450 | 051 | 25,000 | 26,100 | 31,900 | 5,950 | | |
| 021 | 10,000 | 11,100 | 13,500 | 5,450 | 052 | 25,000 | 26,600 | 32,900 | 5,950 | | |
| 022 | 10,500 | 11,600 | 13,800 | 5,450 | 053 | 26,000 | 27,100 | 32,900 | 5,950 | | |
| 023 | 11,000 | 12,100 | 14,100 | 5,450 | 054 | 26,000 | 27,600 | 33,900 | 5,950 | | |
| 024 | 11,500 | 12,600 | 14,400 | 5,450 | 055 | 27,000 | 28,100 | 33,900 | 5,950 | | |
| 025 | 12,000 | 13,100 | 14,700 | 5,450 | 056 | 27,000 | 28,600 | 34,900 | 5,950 | | |
| 026 | 12,500 | 13,600 | 15,000 | 5,450 | 057 | 28,000 | 29,100 | 34,900 | 5,950 | | |
| 027 | 13,000 | 14,100 | 15,300 | 5,450 | 058 | 28,000 | 29,600 | 35,900 | 5,950 | | |
| 028 | 13,500 | 14,600 | 15,600 | 5,450 | 059 | 29,000 | 30,100 | 35,900 | 5,950 | | |
| 029 | 14,000 | 15,100 | 15,900 | 5,450 | 060 | 29,000 | 30,600 | 36,900 | 5,950 | | |
| 030 | 14,500 | 15,600 | 16,200 | 5,450 | 061 | 30,000 | 31,100 | 36,900 | 5,950 | | |
| 031 | 15,000 | 16,100 | 16,500 | 5,450 | 062 | 30,500 | 31,600 | 37,900 | 5,950 | | |
| 032 | 15,500 | 16,600 | 16,800 | 5,450 | 063 | 31,000 | 32,100 | 37,900 | 5,950 | | |
| 033 | 16,000 | 17,100 | 17,100 | 5,450 | 064 | 31,500 | 32,600 | 38,900 | 5,950 | | |
| 034 | 16,500 | 17,600 | 17,600 | 5,450 | | | | | | | |

| | | | |
|--------------------|--------------------|----------------|------------|
| 使用类别 (EXTEND USE) | 品名 (TITLE) | 料号 (P/N): | 页码 (SHEET) |
| FPC0.5拉拔式全包下接H=2.0 | FPC0.5拉拔式全包下接H=2.0 | 1007A0-***-*** | 1/1 |
| 尺寸公差 | 单位 (UNIT) | 图号 (DWG NO): | 比例 (SCALE) |
| DIMENSION | mm | 1007A0 | 1:1 |
| 角度公差 | 数量 (QTY) | 威电康精密科技有限公司 | |
| ANGLES | 表面处理 (FINISHED) | | |
| ±3° | 审核 (CID) | | |
| ±2° | 绘图 (DRW) | | |
| ±1° | 安路路 | | |
| ±0.10 | | | |
| ±0.05 | | | |

X-ON Electronics

Largest Supplier of Electrical and Electronic Components

Click to view similar products for [FFC & FPC Connectors](#) category:

Click to view products by [Boom](#) manufacturer:

Other Similar products are found below :

[HFW11R-1STE1H1LF](#) [FH29B-100S-0.2SHW\(99\)](#) [FA5S008HP1](#) [FH29B-120S-0.2SHW\(99\)](#) [FH29B-80S-0.2SHW\(99\)](#) [FHS-16](#) [FPH-2022G](#)
[52610-1075](#) [52610-1275](#) [52610-1934](#) [XF3M\(1\)-1415-1B-R100](#) [501864-3091-TR225](#) [0525594033](#) [086210010340800](#) [086222026001800](#)
[52271-2869-CUT-TAPE](#) [62674-201121DLF](#) [62684-36210E9ALF](#) [52610-1675](#) [52746-1671-TR250](#) [10051922-2810EHLF](#) [6-520415-9](#)
[BD021-09A-A1-0350-0200-0550-LD](#) [SFV6R-1STE9HLF](#) [XF3M-2915-1B-R100](#) [1658549-1](#) [62674-221121ALF](#) [46214008010800](#)
[046298003000883](#) [151660622](#) [842-816-2630-035](#) [AYF530665TA](#) [AYF351525](#) [046296011930846+](#) [AYF352325A](#) [046254020000800+](#)
[FH19C-13S-0.5SH\(99\)](#) [FH39J-51S-0.3SHW\(99\)](#) [AYF355125A](#) [AYF530365TA](#) [FH29B-44S-0.2SHW\(99\)](#) [SFW5R-2STAE9LF](#) [AYF351125A](#)
[AYF350725A](#) [62684-502100AHLF](#) [FH39-61S-0.3SHW\(99\)](#) [AYF414035A](#) [10064555-172520HLF](#) [AYF212335A](#) [504754-2500](#)