

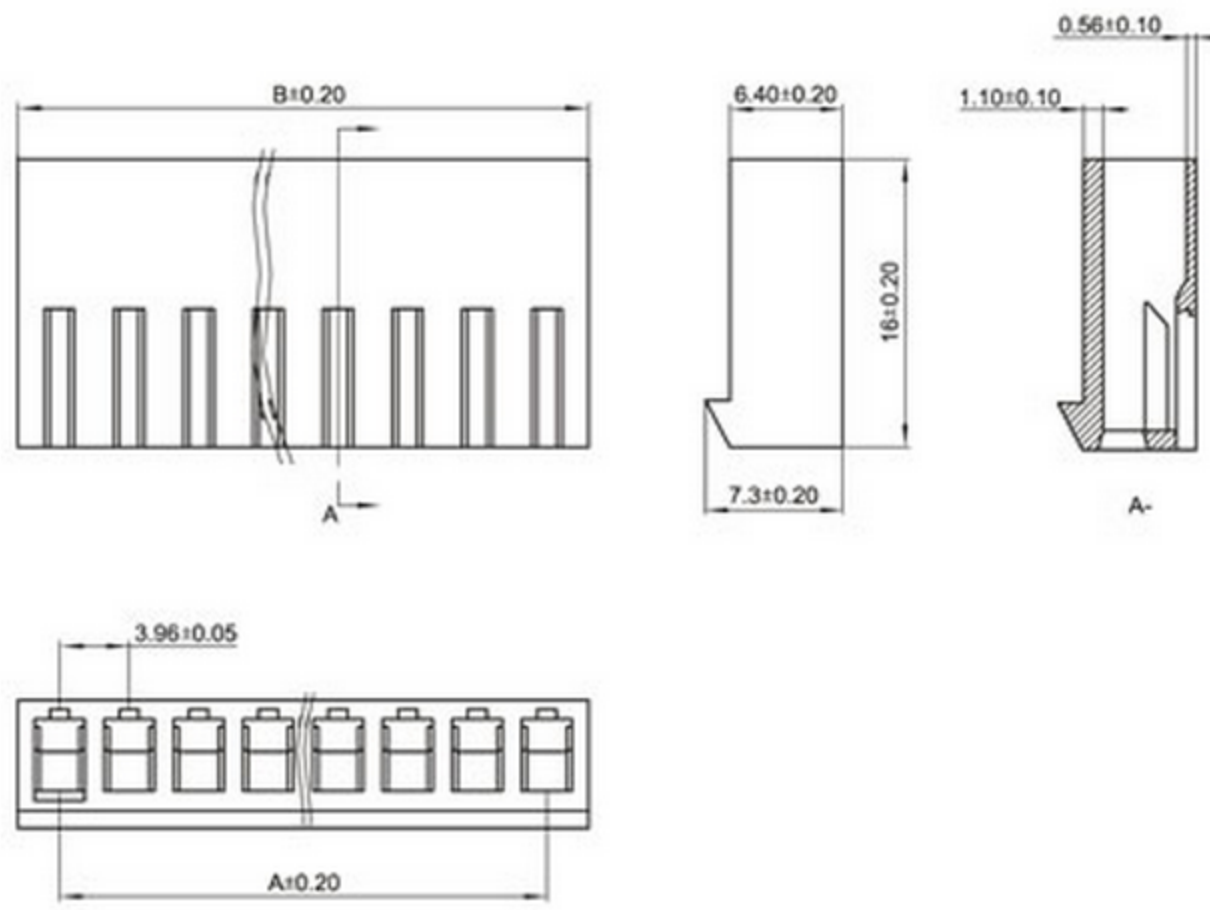
SPECIFICATIONS

Unit:mm

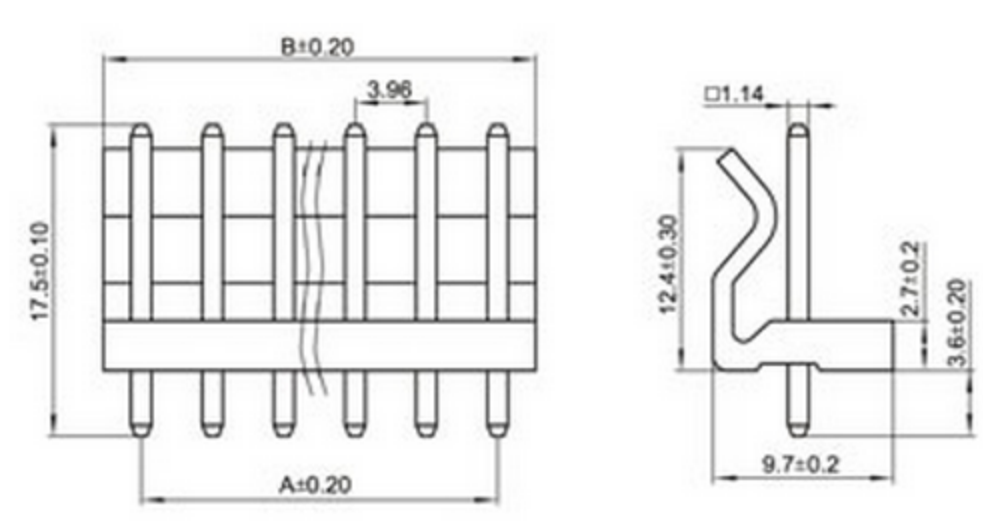
- ◇ Poles: 2~12
- ◇ Applicable wire: AWG#22-#30
- ◇ Voltage rating: 250V DC/AC
- ◇ Current rating: 6A
- ◇ Withstand voltage: 1500V AC
- ◇ Working Temperature: -25°C~+85°C
- ◇ Insulation resistance: ≥ 1000MΩ
- ◇ Contact resistance: ≤ 0.01Ω
- ◇ Applicable PC board thickness: 1.6mm

UL:Recognized No.E309635
RoHS-specification and Halogen-free products

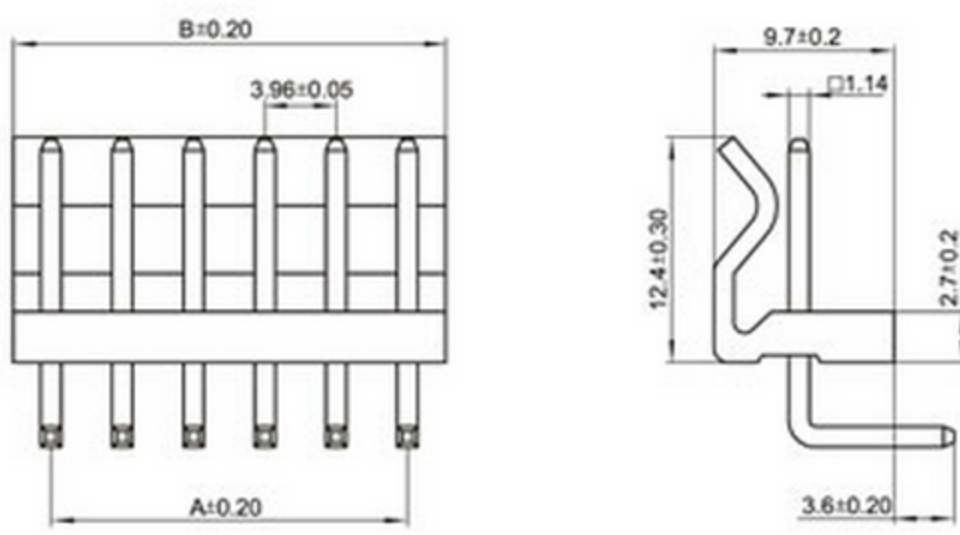
CH3.96-nY



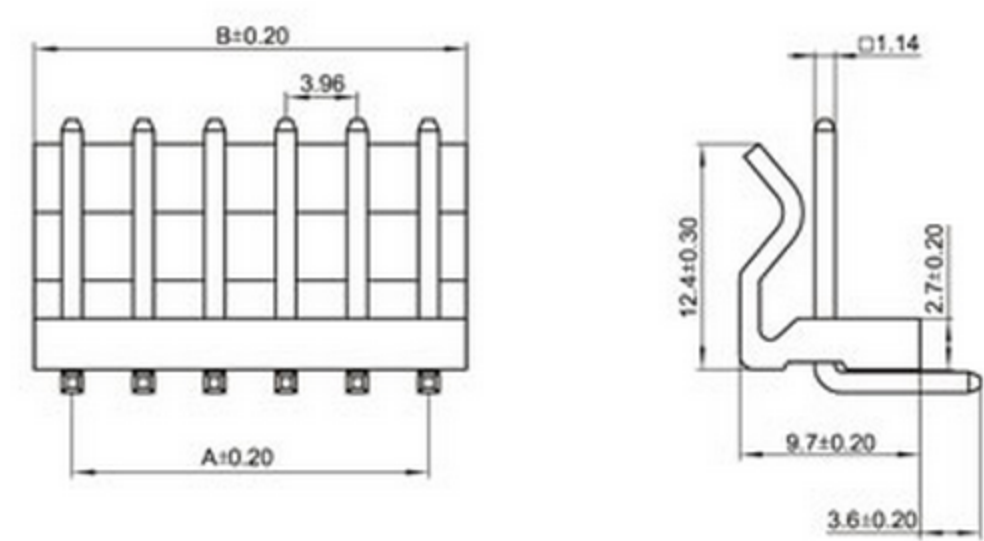
CH3.96-nA



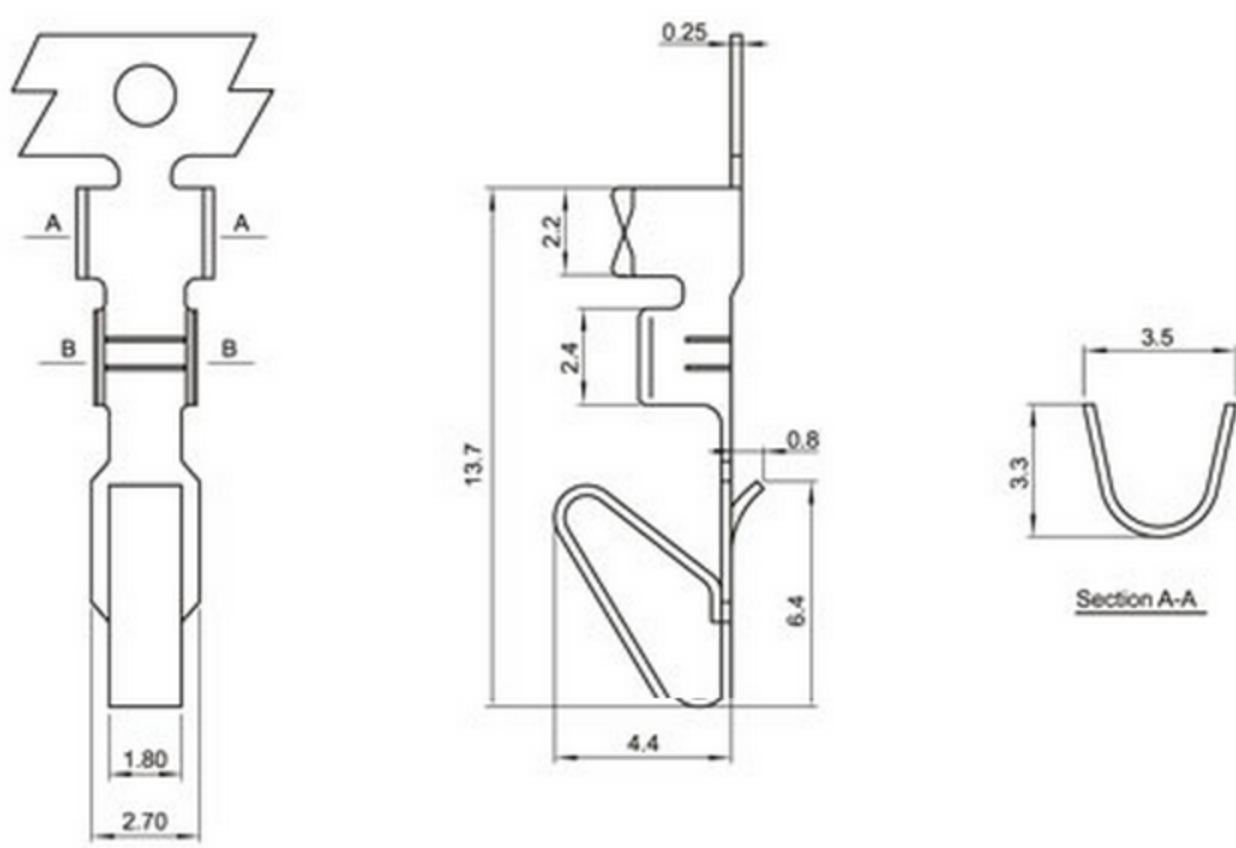
CH3.96-nAGW



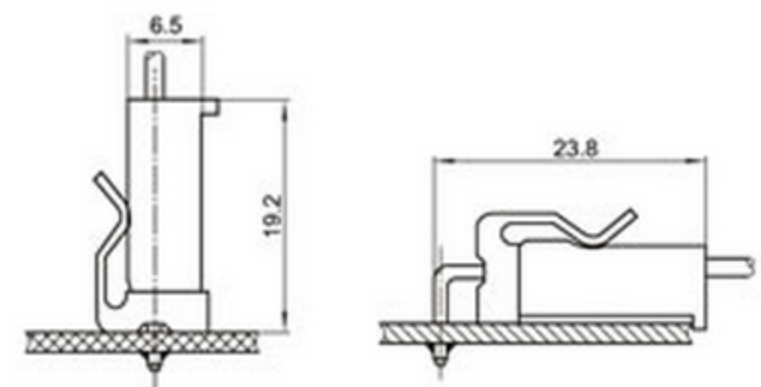
CH3.96-nAW



CH3.96-PT



Mounting Measurement

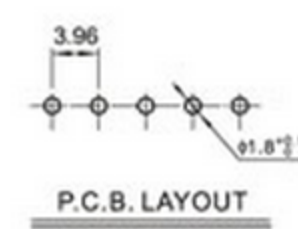


Terminal(CH3.96)

Type	Applicable wires		O.D of wire ins	Material	Finish
	mm ²	AWG#	mm		
BM-CH3.96	0.08~0.3	22~32	1.2~1.9	Phos.bronze	Tin-plated

Poles	Type	Size(mm)	
		A	B
2	CH3.96-2Y	3.96	8.65
3	CH3.96-3Y	7.92	12.61
4	CH3.96-4Y	11.88	16.57
5	CH3.96-5Y	15.84	20.53
6	CH3.96-6Y	19.80	24.49
7	CH3.96-7Y	23.76	28.45
8	CH3.96-8Y	27.72	32.41
9	CH3.96-9Y	31.68	36.37
10	CH3.96-10Y	35.64	40.33
11	CH3.96-11Y	39.60	44.29
12	CH3.96-12Y	43.56	48.25
13	CH3.96-13Y	47.52	52.21
14	CH3.96-14Y	51.48	56.17
15	CH3.96-15Y	55.44	60.13

Poles	Type	Size(mm)	
		A	B
2	CH3.96-2A	3.96	3.96
3	CH3.96-3A	7.92	11.90
4	CH3.96-4A	11.88	16.00
5	CH3.96-5A	15.84	20.00
6	CH3.96-6A	19.80	24.00
7	CH3.96-7A	23.76	27.85
8	CH3.96-8A	27.72	31.80
9	CH3.96-9A	31.68	35.70
10	CH3.96-10A	35.64	39.40
11	CH3.96-11A	39.60	43.40
12	CH3.96-12A	43.56	47.40
13	CH3.96-13A	47.52	51.40
14	CH3.96-14A	51.48	55.40
15	CH3.96-15A	55.44	59.40



X-ON Electronics

Largest Supplier of Electrical and Electronic Components

Click to view similar products for [Terminals](#) category:

Click to view products by [Boom](#) manufacturer:

Other Similar products are found below :

[HT-13-10](#) [71M-250-32-NB](#) [01-2065-1-0216](#) [00581P0075](#) [M10-10RX](#) [M10BCK](#) [60205-1](#) [604200-1](#) [60598-1-CUT-TAPE](#) [60617-1-C](#) [60873-1](#) [M14-516R/SK](#) [M14-6RSX](#) [M18-10FLX](#) [M18-8FBX](#) [M18-8R/LX](#) [M18BCK](#) [61314-6-C](#) [61-S](#) [61-SN-A](#) [62149-1](#) [62-NBM-A](#) [63-S](#) [640179-1](#) [640917-2-CUT-TAPE](#) [6501550002](#) [66107-2-C](#) [66107-4-C](#) [696683-1](#) [696834-1](#) [696861-1](#) [696931-1](#) [696999-1](#) [M8-516RK](#) [M86700006](#) [MA250DMFMX-A](#) [701-2007](#) [701-2307](#) [701-7761-03](#) [70F-110-32-PB](#) [718-N-A](#) [71M-187-20-NBL](#) [71M-250-32-NBL](#) [72F-187-20-NBL](#) [72M-250-32-NBL](#) [7310](#) [73F-250-32](#) [73F-250-32-NBL](#) [73F-250-32-NL](#) [F14-10C](#)