

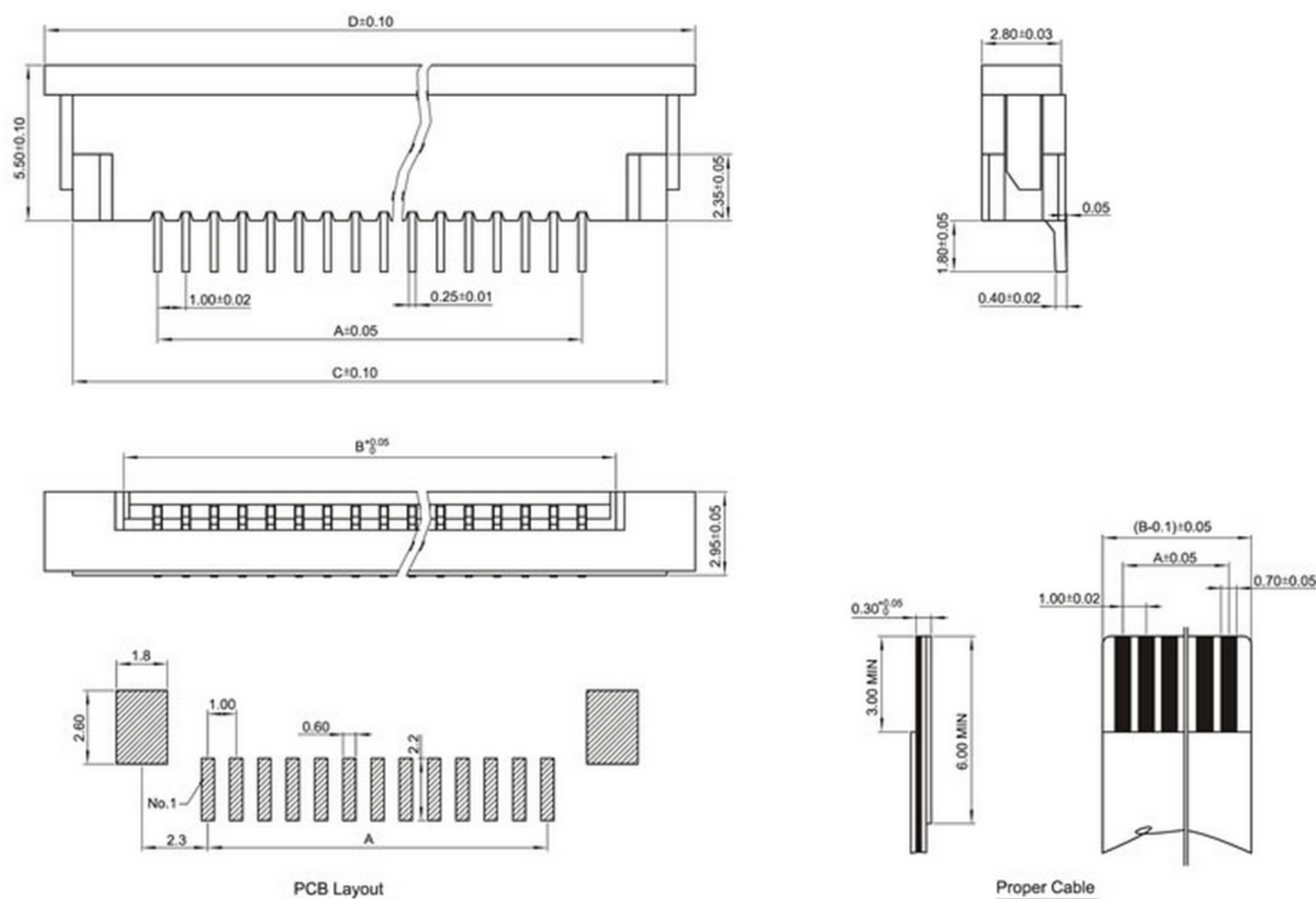
◆ SPECIFICATIONS

Unit:mm

- ◇ Poles: 4~35
- ◇ Applicable wire: AWG#28-#22
- ◇ Voltage rating: 50V DC/AC
- ◇ Current rating: 0.5A
- ◇ Withstand voltage: 500V AC
- ◇ Working Temperature: -25°C ~ +85°C
- ◇ Insulation resistance: $\geq 500M\Omega$
- ◇ Contact resistance: $\leq 0.03\Omega$
- ◇ Applicable PC board thickness: 0.6~1.2mm

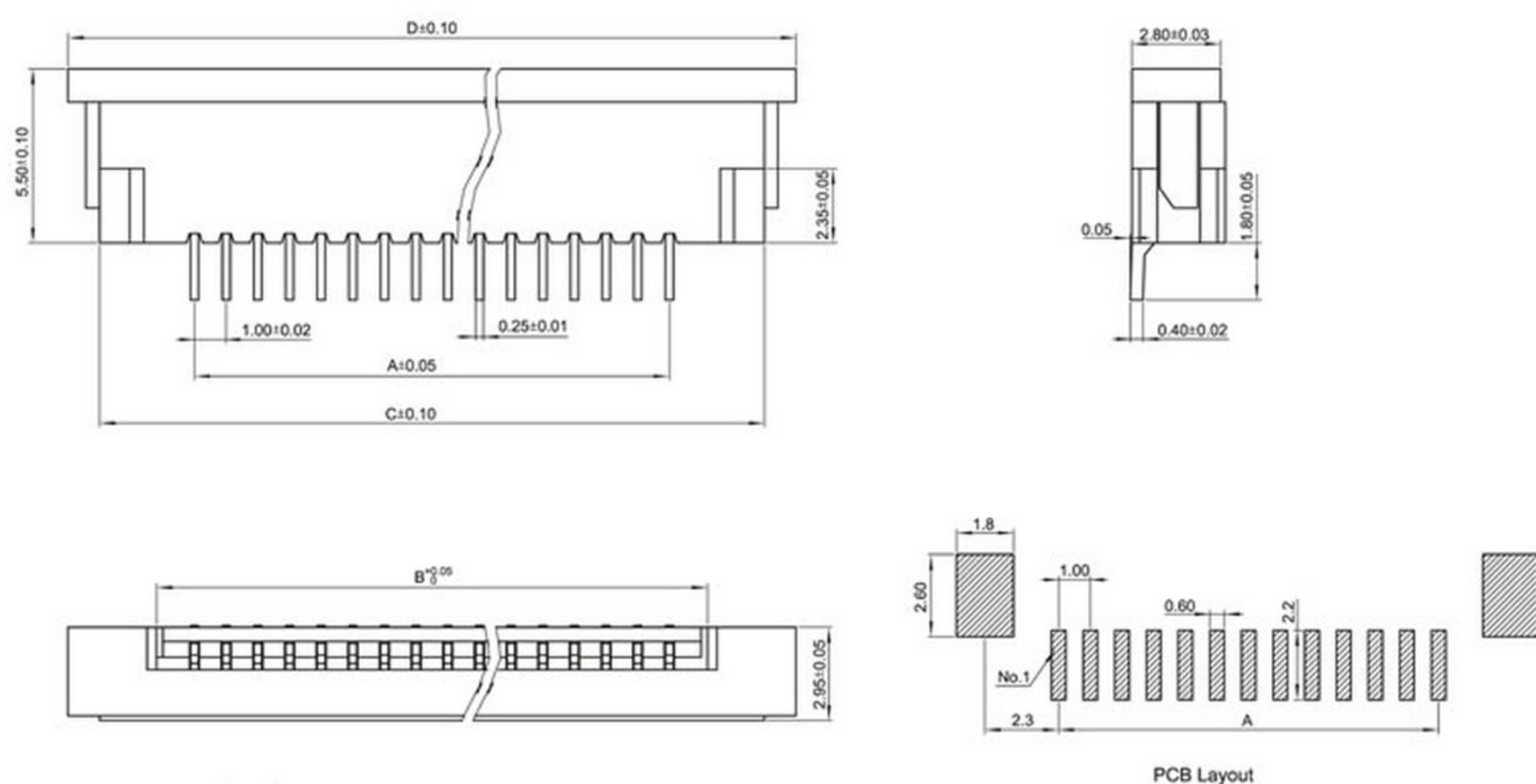
UL:Recognized No.E309635
RoHS-specification and
Halogen-free products

FPC1.0-2-nP 上接

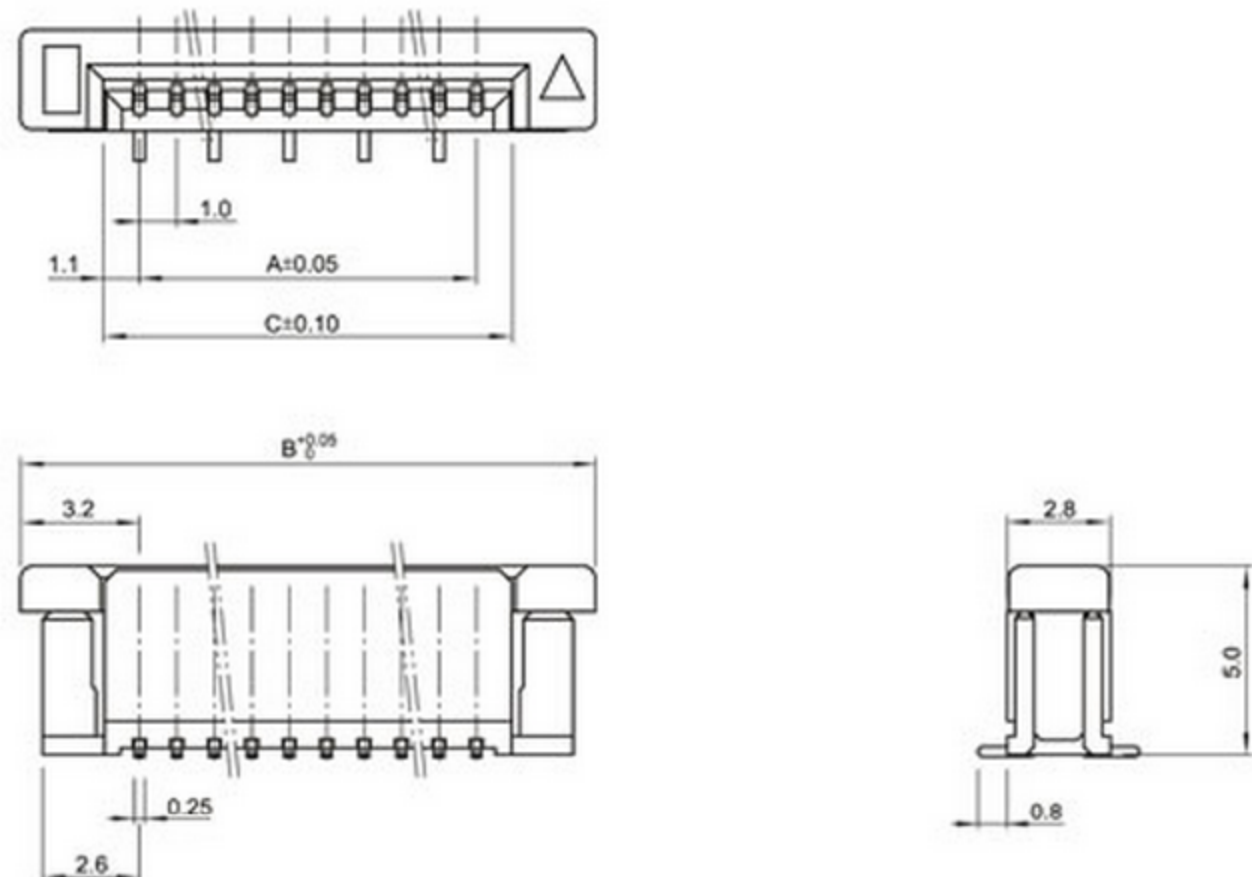


FPC1.0-2-nP 下接

Unit:mm



FPC1.0-2-nP 立贴



Poles	Type	Size(mm)			
		A	B	C	D
4	FPC 1.0-2-4Y	3.0	5.4	9.0	7.5
5	FPC 1.0-2-5Y	4.0	6.4	10.0	8.0
6	FPC 1.0-2-6Y	5.0	7.4	11.0	8.5
7	FPC 1.0-2-7Y	6.0	8.4	12.0	9.0
8	FPC 1.0-2-8Y	7.0	9.4	13.0	9.5
9	FPC 1.0-2-9Y	8.0	10.4	14.0	10.0
10	FPC 1.0-2-10Y	9.0	11.4	15.0	10.5
11	FPC 1.0-2-11Y	10.0	12.4	16.0	11.0
12	FPC 1.0-2-12Y	11.0	13.4	17.0	11.5
13	FPC 1.0-2-13Y	12.0	14.4	18.0	12.0
14	FPC 1.0-2-14Y	13.0	15.4	19.0	12.5

Poles	Type	Size(mm)			
		A	B	C	D
15	FPC 1.0-2-15Y	14.0	16.4	20.0	13.0
16	FPC 1.0-2-16Y	15.0	17.4	21.0	13.5
17	FPC 1.0-2-17Y	16.0	18.4	22.0	14.0
18	FPC 1.0-2-18Y	17.0	19.4	23.0	14.5
19	FPC 1.0-2-19Y	18.0	20.4	24.0	15.0
20	FPC 1.0-2-20Y	19.0	21.4	25.0	15.5
21	FPC 1.0-2-21Y	20.0	22.4	26.0	16.0
22	FPC 1.0-2-22Y	21.0	23.4	27.0	16.5
23	FPC 1.0-2-23Y	22.0	24.4	28.0	17.0
24	FPC 1.0-2-24Y	23.0	25.4	29.0	17.5
25	FPC 1.0-2-25Y	24.0	26.4	30.0	18.0

Poles	Type	Size(mm)			
		A	B	C	D
26	FPC 1.0-2-26Y	25.0	27.4	31.0	18.5
27	FPC 1.0-2-27Y	26.0	28.4	32.0	19.0
28	FPC 1.0-2-28Y	27.0	29.4	33.0	19.5
29	FPC 1.0-2-29Y	28.0	30.4	34.0	20.0
30	FPC 1.0-2-30Y	29.0	31.4	35.0	20.5
31	FPC 1.0-2-31Y	30.0	32.4	36.0	21.0
32	FPC 1.0-2-32Y	31.0	33.4	37.0	21.5
33	FPC 1.0-2-33Y	32.0	34.4	38.0	22.0
34	FPC 1.0-2-34Y	33.0	35.4	39.0	22.5
35	FPC 1.0-2-35Y	34.0	36.4	40.0	23.0

X-ON Electronics

Largest Supplier of Electrical and Electronic Components

Click to view similar products for [FFC & FPC Connectors](#) category:

Click to view products by [Boom](#) manufacturer:

Other Similar products are found below :

[HFW11R-1STE1H1LF](#) [FH29B-100S-0.2SHW\(99\)](#) [FA5S008HP1](#) [FH29B-120S-0.2SHW\(99\)](#) [FH29B-80S-0.2SHW\(99\)](#) [FHS-16](#) [FPH-2022G](#)
[52610-1075](#) [52610-1275](#) [52610-1934](#) [XF3M\(1\)-1415-1B-R100](#) [501864-3091-TR225](#) [0525594033](#) [086210010340800](#) [086222026001800](#)
[52271-2869-CUT-TAPE](#) [62674-201121DLF](#) [62684-36210E9ALF](#) [52610-1675](#) [52746-1671-TR250](#) [10051922-2810EHLF](#) [6-520415-9](#)
[BD021-09A-A1-0350-0200-0550-LD](#) [SFV6R-1STE9HLF](#) [XF3M-2915-1B-R100](#) [1658549-1](#) [62674-221121ALF](#) [46214008010800](#)
[046298003000883](#) [151660622](#) [842-816-2630-035](#) [AYF530665TA](#) [AYF351525](#) [046296011930846+](#) [AYF352325A](#) [046254020000800+](#)
[FH19C-13S-0.5SH\(99\)](#) [FH39J-51S-0.3SHW\(99\)](#) [AYF355125A](#) [AYF530365TA](#) [FH29B-44S-0.2SHW\(99\)](#) [SFW5R-2STAE9LF](#) [AYF351125A](#)
[AYF350725A](#) [62684-502100AHLF](#) [FH39-61S-0.3SHW\(99\)](#) [AYF414035A](#) [10064555-172520HLF](#) [AYF212335A](#) [504754-2500](#)