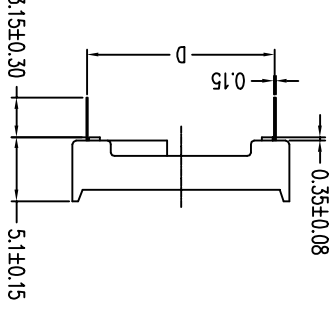
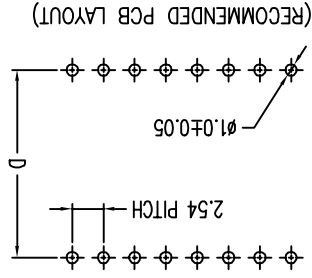
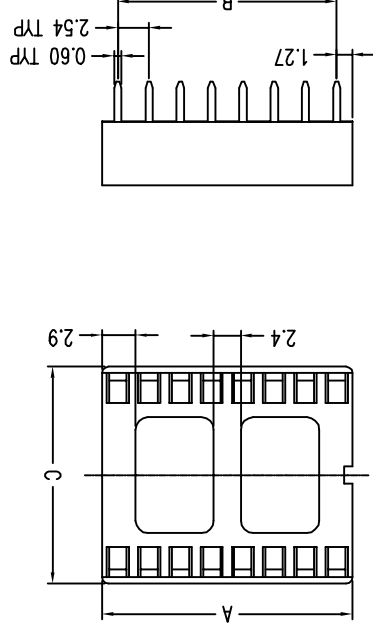


CATALOG NO		NO. OF CONTACTS		TABLE OF DIMENSIONS			
		A±0.30	B±0.25	C±0.30	D±0.20		
10.16	7.62	DILB8P-223TXX	8P	10.16	7.62	15.24	17.78
		DILB14P-223TXX	14P	17.78	15.24		
		DILB16P-223TXX	16P	20.32	17.78		
		DILB18P-223TXX	18P	22.86	20.32		
		DILB20P-223TXX	20P	25.40	22.86		
		DILB24P-224TXX	24P	30.48	27.94		
		DILB24P-223TXX	24P	30.48	27.94		
		DILB28P-223TXX	28P	35.56	33.02		
15.24	17.78	DILB32P-223TXX	32P	40.64	38.10	15.24	17.78
		DILB40P-223TXX	40P	50.80	48.26		
		DILB42P-223TXX	42P	53.34	50.80		



- NOTES
- MATERIALS: HOUSING: POLYAMIDE, UL94V-0 COLOR IN BLACK. CONTACT: COPPER ALLOY.
 - FINISH: 100u" MIN. MATTE OR BRIGHT TIN OVER 50u" MIN. NICKEL.
 - PERFORMANCE CHARACTERISTICS:
 - OPERATING VOLTAGE: 200VAC;
 - CONTACT RESISTANCE: 30 MILLIOHMS MAX. AT 6 VDC;
 - CURRENT RATING: 1 AMP. MAX.;
 - OPERING TEMPERATURE: CONTINUOUS, -55°C TO 105°C;
 - INSULATION RESISTANCE: 1000 MEGOHMS MIN AT 500 VDC;
 - DIELECTRIC WITHSTANDING VOLTAGE: 1000 VAC RMS MIN.;
 - DURABILITY: NO ELECTRICAL DEGRADATION AFTER 25 CYCLES;
 - THERMAL SHOCK: NO PHYSICAL OR ELECTRICAL DEGRADATION PER MIL-STD-1344, METHOD 1003, COND A.;
 - MOISTURE RESISTANCE: 300 MEGOHMS MIN PER MIL-STD-202, METHOD 106, OMIT STEPS 7a AND 7b.;
 - VIBRATION: NO ELECTRICAL INTERRUPTION GREATER THAN 1 MICROSECOND PER MIL-STD-1344, METHOD 2005 COND III.;
 - MECHANICAL SHOCK: NO ELECTRICAL INTERRUPTION GREATER THAN 1 MICROSECOND WHEN 17.64 oz (500g) IS APPLIED FOR 0.75 MILLISECOND;
 - FLAMABILITY: UL94 V-0.;
 - INSERTION FORCE 340.2g /CONTACT MAX.;
 - WITHDRAWAL FORCE: 14.5g /CONTACT MIN.;
 - ORDERING INFORMATION:

DUAL IN-LINE RECEPTACLE
CONTACT SPACING 2.54MM PITCH
NO. OF CONTACT POSITIONS
DILB XX P - 223 I XX

PLATING VARIATION
LF: LEAD FREE MAT TIN PLATED
PF: LEAD FREE BRIGHT TIN PLATED
SEE TABLE FOR QUANTITY
SUPPLIED IN TUBES
DESIGN VARIATION
(SOLDER TAIL)
 - DILBXXP-223TUF: THE HOUSING WILL WITHSTAND EXPOSURE TO 260° PER PERK TEMPERATURE FOR 10 SECONDS IN A WAVE SOLDER APPLICATION.

mat'l. code		tolerances unless otherwise specified		CUSTOMER COPY		title		code	
ltr	ecn no	dr	date	linear	angles	projection	DILB ASSEMBLY	TWN	1 of 2
A	105-0016	W.L	1/24/05	.XX ± 0.2	0° ± .2°	MM			
B	106-0053	J.H	3/28/06	.XX ± 0.05		MM			
C	106-0068	J.H	7/7/06			MM			
sheet	revision	sheet	index	engr	chr	appd	scale	size	sheet
		1	2	WADE LIU	WADE LIU	WADE LIU	1:1	A4	10052485
		1	2	WADE LIU	WADE LIU	WADE LIU	01/05/05	01/05/05	01/05/05
		1	2	WADE LIU	WADE LIU	WADE LIU	01/05/05	01/05/05	01/05/05
		1	2	WADE LIU	WADE LIU	WADE LIU	01/05/05	01/05/05	01/05/05
		1	2	WADE LIU	WADE LIU	WADE LIU	01/05/05	01/05/05	01/05/05

X-ON Electronics

Largest Supplier of Electrical and Electronic Components

Click to view similar products for [IC & Component Sockets](#) category:

Click to view products by [Boom](#) manufacturer:

Other Similar products are found below :

[714-43-102-31-012000](#) [0066-3-17-15-30-14-02-0](#) [0134-0-15-15-32-27-04-0](#) [614-DG5](#) [6527-0-00-15-00-00-03-0](#) [670](#) [672](#) [673](#) [712-93-120-41-001000](#) [714-93-104-31-018000](#) [8059-4G1-LF](#) [807-22-001-10-001101](#) [807-22-001-10-003101](#) [807-22-001-10-004101](#) [807-22-001-10-006101](#) [807-22-001-30-011101](#) [807-22-001-30-012101](#) [807-22-001-30-013101](#) [807-22-001-30-014101](#) [8-1437531-4](#) [8150-6P10](#) [833-93-034-10-001000](#) [835-43-014-10-001000](#) [851-41-006-10-001000](#) [851-43-008-20-001000](#) [851-43-014-20-001000](#) [851-93-006-20-001000](#) [851-93-010-20-001000](#) [852-10-026-10-001000](#) [853-43-020-10-001000](#) [86.010.0053.0](#) [116-43-306-41-003000](#) [116-43-308-41-007000](#) [116-87-308-41-007101](#) [PX-68LCC](#) [PX-84LCC](#) [121-13-318-41-001000](#) [121-13-320-41-001000](#) [121-13-308-41-001000](#) [123-43-314-41-801000](#) [123-43-420-41-001000](#) [123-43-636-41-001000](#) [123-87-320-41-001101](#) [122-13-316-41-001000](#) [123-13-624-41-001000](#) [123-43-306-41-001000](#) [123-43-322-41-801000](#) [123-43-428-41-001000](#) [123-43-624-41-001000](#) [12-3513-11](#)