



◆ SPECIFICATIONS

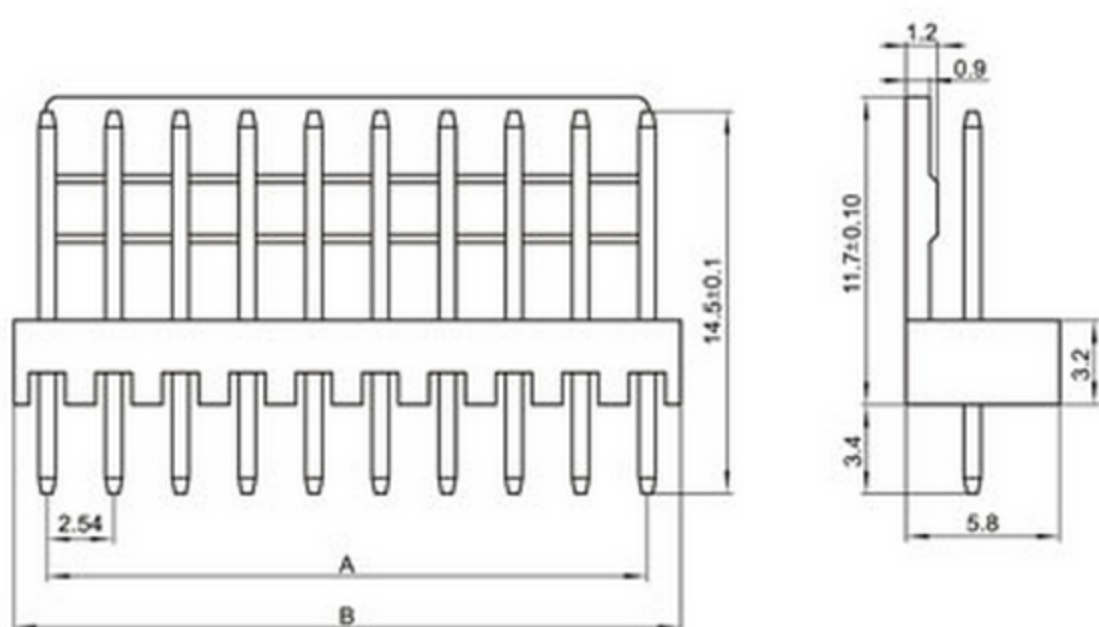
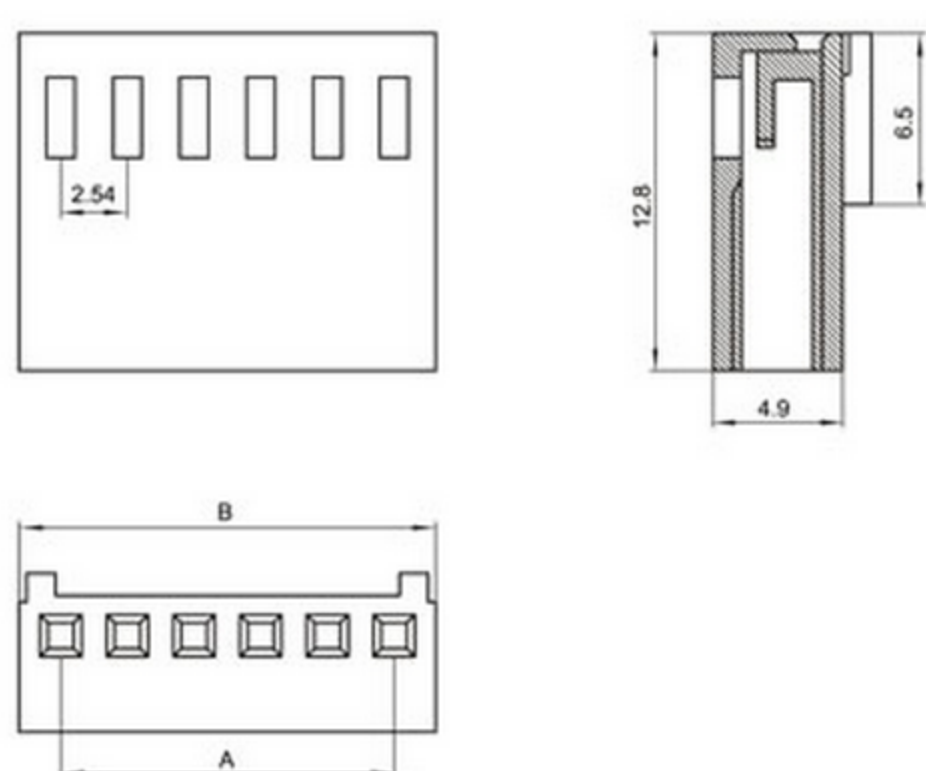
Unit:mm

- ◇ Poles: 2~20
- ◇ Applicable wire: AWG#28-#22
- ◇ Voltage rating: 250V DC/AC
- ◇ Current rating: 2.5A
- ◇ Withstand voltage: 1000V AC
- ◇ Working Temperature: -25°C~+85°C
- ◇ Insulation resistance: ≥ 1000MΩ
- ◇ Contact resistance: ≤ 0.02Ω
- ◇ Applicable PC board thickness: 1.6mm

UL:Recognized No.E309635
RoHS-specification and Halogen-free products

2510-nY 母头

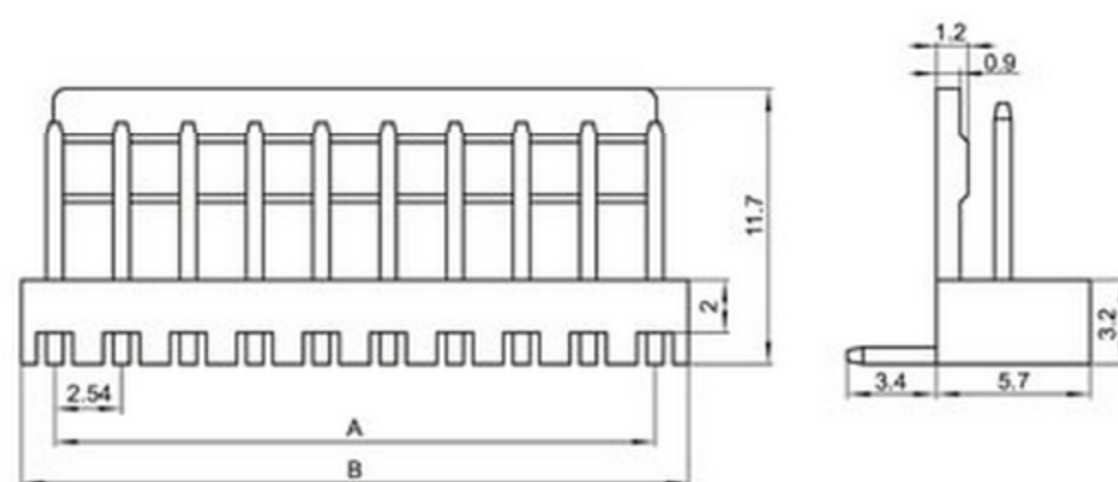
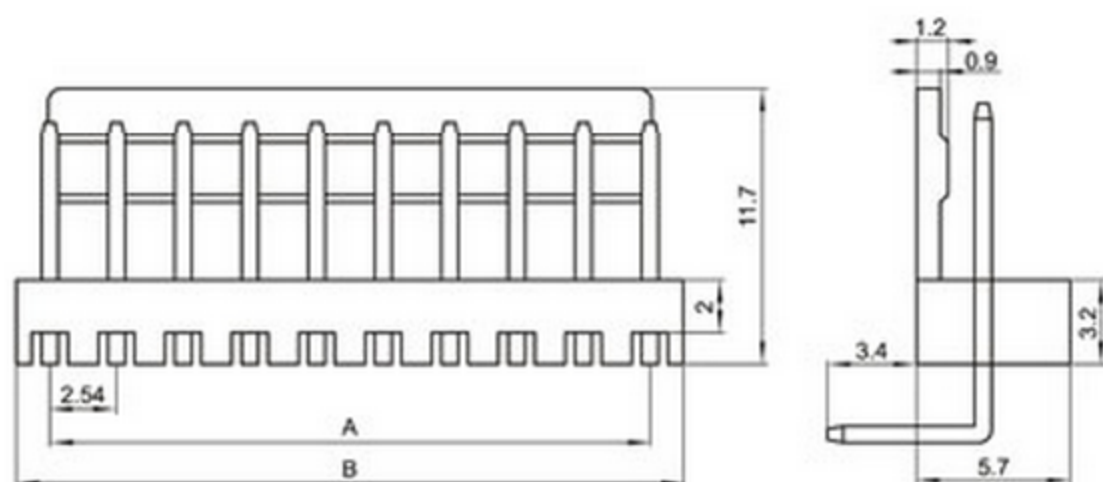
2510-nA 针座



2510-nAGW 弯针针座

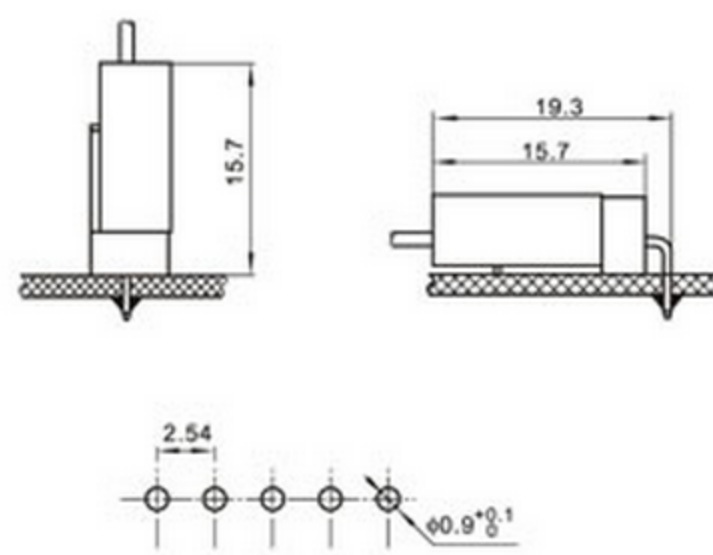
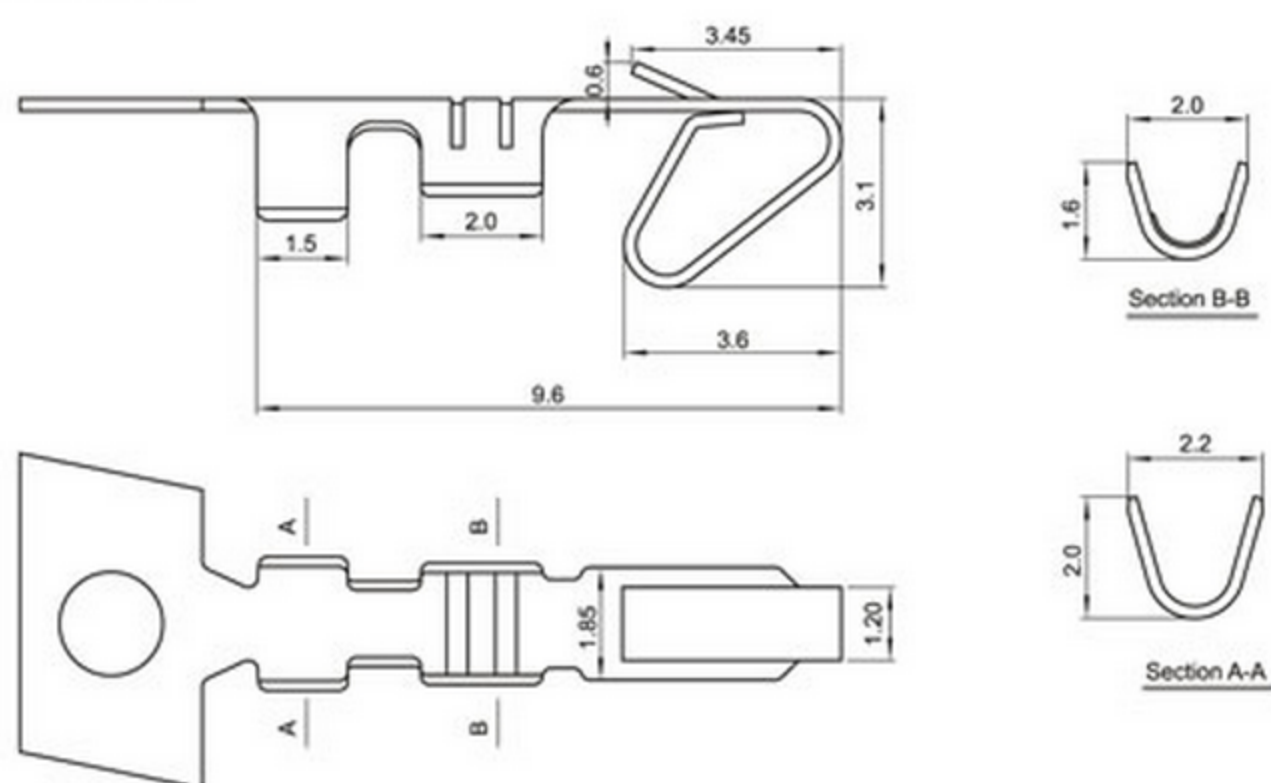
2510-nAW 平弯针座

Unit:mm



2510-PT 接线端子

Mounting Measurement



Terminal(2510)

| Type | Applicable wires | | O.D of wire ins mm | Material | Finish |
|---------|------------------|-------|-----------------------|-------------|------------|
| | mm ² | AWG# | | | |
| BM-2510 | 0.08~0.3 | 22~32 | 1.2~1.9 | Phos.bronze | Tin-plated |

| Poles | Type | Size(mm) | |
|-------|----------|----------|-------|
| | | A | B |
| 2 | 2510-2Y | 2.54 | 5.72 |
| 3 | 2510-3Y | 5.08 | 8.26 |
| 4 | 2510-4Y | 7.62 | 10.80 |
| 5 | 2510-5Y | 10.16 | 13.34 |
| 6 | 2510-6Y | 12.70 | 15.88 |
| 7 | 2510-7Y | 15.24 | 18.42 |
| 8 | 2510-8Y | 17.78 | 20.96 |
| 9 | 2510-9Y | 20.32 | 23.50 |
| 10 | 2510-10Y | 22.86 | 26.04 |
| 11 | 2510-11Y | 25.40 | 28.58 |
| 12 | 2510-12Y | 27.94 | 31.12 |
| 13 | 2510-13Y | 30.48 | 33.66 |
| 14 | 2510-14Y | 33.02 | 36.20 |
| 15 | 2510-15Y | 35.56 | 38.74 |
| 16 | 2510-16Y | 38.10 | 41.28 |
| 17 | 2510-17Y | 40.64 | 43.82 |
| 18 | 2510-18Y | 43.18 | 46.36 |
| 19 | 2510-19Y | 45.72 | 48.90 |
| 20 | 2510-20Y | 48.26 | 51.44 |

| Poles | Type | Size(mm) | |
|-------|----------|----------|-------|
| | | A | B |
| 2 | 2510-2A | 2.54 | 5.08 |
| 3 | 2510-3A | 5.08 | 7.62 |
| 4 | 2510-4A | 7.62 | 10.16 |
| 5 | 2510-5A | 10.16 | 12.70 |
| 6 | 2510-6A | 12.70 | 15.24 |
| 7 | 2510-7A | 15.24 | 17.78 |
| 8 | 2510-8A | 17.78 | 20.32 |
| 9 | 2510-9A | 20.32 | 22.86 |
| 10 | 2510-10A | 22.86 | 25.40 |
| 11 | 2510-11A | 25.40 | 27.94 |
| 12 | 2510-12A | 27.94 | 30.48 |
| 13 | 2510-13A | 30.48 | 33.02 |
| 14 | 2510-14A | 33.02 | 35.56 |
| 15 | 2510-15A | 35.56 | 38.10 |
| 16 | 2510-16A | 38.10 | 40.64 |
| 17 | 2510-17A | 40.64 | 43.18 |
| 18 | 2510-18A | 43.18 | 45.72 |
| 19 | 2510-19A | 45.72 | 48.26 |
| 20 | 2510-20A | 48.26 | 50.80 |

X-ON Electronics

Largest Supplier of Electrical and Electronic Components

Click to view similar products for [Headers & Wire Housings](#) category:

Click to view products by [Boom](#) manufacturer:

Other Similar products are found below :

[95000-104TRLF](#) [10135584-644402LF](#) [DF62W-EP2022PCA](#) [95000-106TRLF](#) [DF62W-2022SCA](#) [DF62W-EP2022PC](#) [2203348](#) [DF62W-2022SC](#) [1084018](#) [1029039](#) [1084017](#) [802-10-012-10-002000](#) [1112640](#) [1112639](#) [891-007-9SS-BST1T](#) [000-34000](#) [0008550134](#) [0009482033](#) [0009507031](#) [57102-F02-18ULF](#) [57102-S06-03LF](#) [57202-S52-04LF](#) [PCN6-15S-2.5E](#) [0039019024](#) [58102-G61-06LF](#) [582553-1](#) [0009485154](#) [0009508121](#) [0022285053](#) [0050291907](#) [018731A](#) [LY20-4P-DT1-P1E-BR](#) [02.125.8002.8](#) [60101931](#) [60598-1 \(Cut Strip\)](#) [M1625-3R/100](#) [61062-3](#) [61082-181009](#) [CSU011177004](#) [636-1427](#) [638009-1](#) [641938-9](#) [641991-4](#) [644168-1](#) [644827-2](#) [647662-1](#) [65039-019ELF](#) [65692-001LF](#) [65781-018](#) [65781-047](#)