

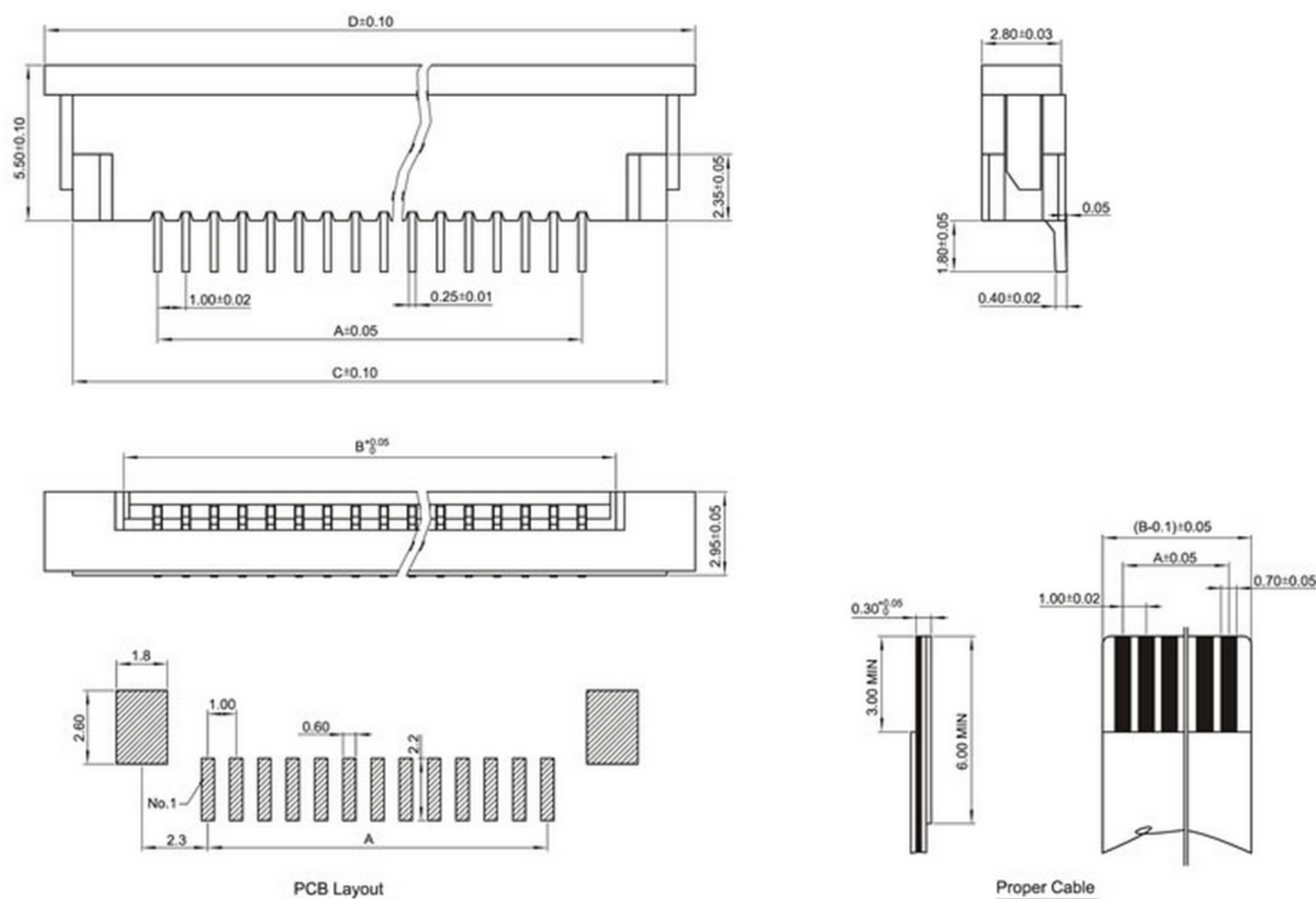
◆ SPECIFICATIONS

Unit:mm

- ◇ Poles: 4~35
- ◇ Applicable wire: AWG#28-#22
- ◇ Voltage rating: 50V DC/AC
- ◇ Current rating: 0.5A
- ◇ Withstand voltage: 500V AC
- ◇ Working Temperature: -25°C ~ +85°C
- ◇ Insulation resistance: ≥ 500MΩ
- ◇ Contact resistance: ≤ 0.03Ω
- ◇ Applicable PC board thickness: 0.6~1.2mm

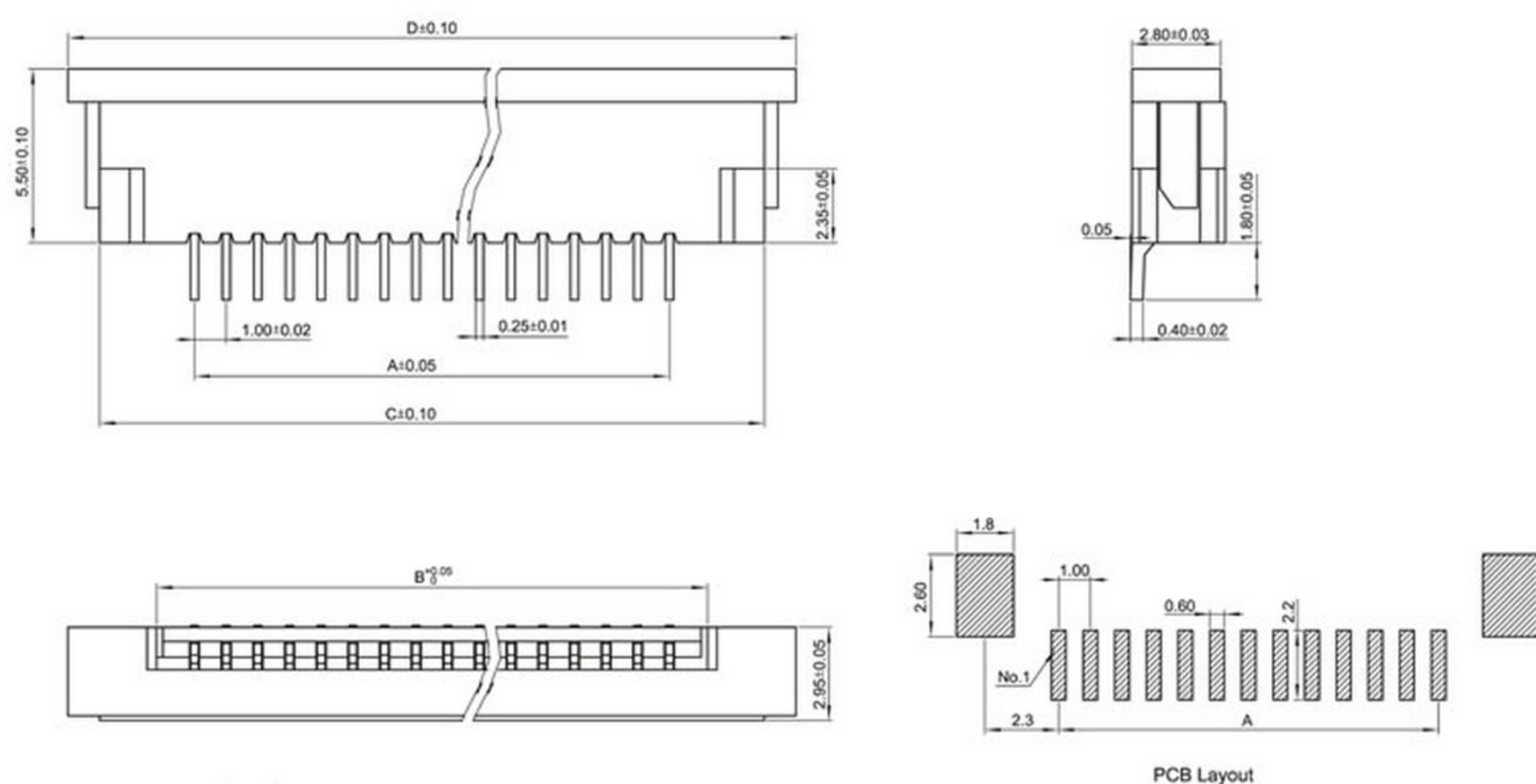
UL:Recognized No.E309635
RoHS-specification and
Halogen-free products

FPC1.0-2-nP 上接

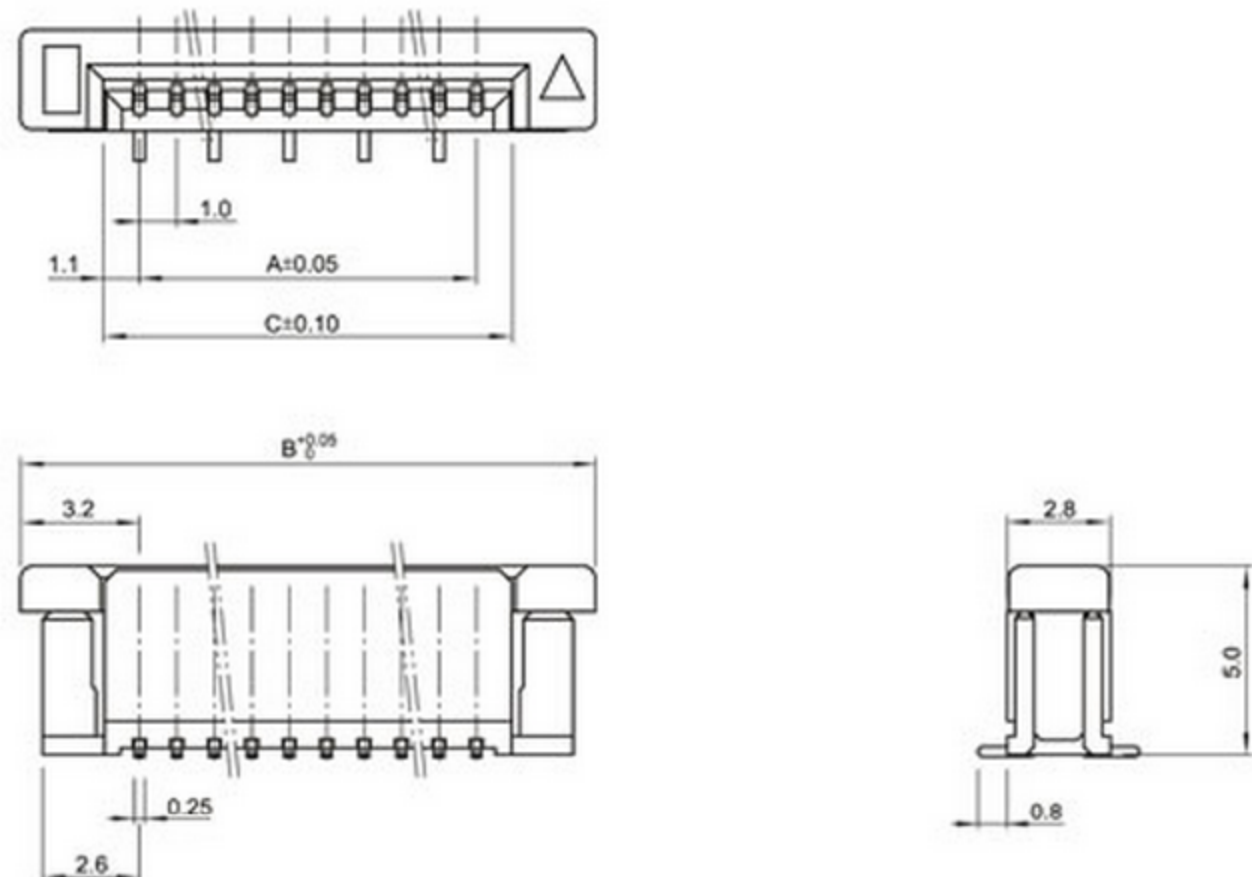


FPC1.0-2-nP 下接

Unit:mm



FPC1.0-2-nP 立贴



| Poles | Type | Size(mm) | | | |
|-------|---------------|----------|------|------|------|
| | | A | B | C | D |
| 4 | FPC 1.0-2-4Y | 3.0 | 5.4 | 9.0 | 7.5 |
| 5 | FPC 1.0-2-5Y | 4.0 | 6.4 | 10.0 | 8.0 |
| 6 | FPC 1.0-2-6Y | 5.0 | 7.4 | 11.0 | 8.5 |
| 7 | FPC 1.0-2-7Y | 6.0 | 8.4 | 12.0 | 9.0 |
| 8 | FPC 1.0-2-8Y | 7.0 | 9.4 | 13.0 | 9.5 |
| 9 | FPC 1.0-2-9Y | 8.0 | 10.4 | 14.0 | 10.0 |
| 10 | FPC 1.0-2-10Y | 9.0 | 11.4 | 15.0 | 10.5 |
| 11 | FPC 1.0-2-11Y | 10.0 | 12.4 | 16.0 | 11.0 |
| 12 | FPC 1.0-2-12Y | 11.0 | 13.4 | 17.0 | 11.5 |
| 13 | FPC 1.0-2-13Y | 12.0 | 14.4 | 18.0 | 12.0 |
| 14 | FPC 1.0-2-14Y | 13.0 | 15.4 | 19.0 | 12.5 |

| Poles | Type | Size(mm) | | | |
|-------|---------------|----------|------|------|------|
| | | A | B | C | D |
| 15 | FPC 1.0-2-15Y | 14.0 | 16.4 | 20.0 | 13.0 |
| 16 | FPC 1.0-2-16Y | 15.0 | 17.4 | 21.0 | 13.5 |
| 17 | FPC 1.0-2-17Y | 16.0 | 18.4 | 22.0 | 14.0 |
| 18 | FPC 1.0-2-18Y | 17.0 | 19.4 | 23.0 | 14.5 |
| 19 | FPC 1.0-2-19Y | 18.0 | 20.4 | 24.0 | 15.0 |
| 20 | FPC 1.0-2-20Y | 19.0 | 21.4 | 25.0 | 15.5 |
| 21 | FPC 1.0-2-21Y | 20.0 | 22.4 | 26.0 | 16.0 |
| 22 | FPC 1.0-2-22Y | 21.0 | 23.4 | 27.0 | 16.5 |
| 23 | FPC 1.0-2-23Y | 22.0 | 24.4 | 28.0 | 17.0 |
| 24 | FPC 1.0-2-24Y | 23.0 | 25.4 | 29.0 | 17.5 |
| 25 | FPC 1.0-2-25Y | 24.0 | 26.4 | 30.0 | 18.0 |

| Poles | Type | Size(mm) | | | |
|-------|---------------|----------|------|------|------|
| | | A | B | C | D |
| 26 | FPC 1.0-2-26Y | 25.0 | 27.4 | 31.0 | 18.5 |
| 27 | FPC 1.0-2-27Y | 26.0 | 28.4 | 32.0 | 19.0 |
| 28 | FPC 1.0-2-28Y | 27.0 | 29.4 | 33.0 | 19.5 |
| 29 | FPC 1.0-2-29Y | 28.0 | 30.4 | 34.0 | 20.0 |
| 30 | FPC 1.0-2-30Y | 29.0 | 31.4 | 35.0 | 20.5 |
| 31 | FPC 1.0-2-31Y | 30.0 | 32.4 | 36.0 | 21.0 |
| 32 | FPC 1.0-2-32Y | 31.0 | 33.4 | 37.0 | 21.5 |
| 33 | FPC 1.0-2-33Y | 32.0 | 34.4 | 38.0 | 22.0 |
| 34 | FPC 1.0-2-34Y | 33.0 | 35.4 | 39.0 | 22.5 |
| 35 | FPC 1.0-2-35Y | 34.0 | 36.4 | 40.0 | 23.0 |

X-ON Electronics

Largest Supplier of Electrical and Electronic Components

Click to view similar products for [FFC & FPC Connectors](#) category:

Click to view products by [Boom](#) manufacturer:

Other Similar products are found below :

[HFW11R-1STE1H1LF](#) [FH29B-100S-0.2SHW\(99\)](#) [FA5S008HP1](#) [FH29B-120S-0.2SHW\(99\)](#) [FH29B-80S-0.2SHW\(99\)](#) [FHS-16](#) [FPH-2022G](#)
[52610-1075](#) [52610-1275](#) [52610-1934](#) [XF3M\(1\)-1415-1B-R100](#) [501864-3091-TR225](#) [0525594033](#) [086210010340800](#) [086222026001800](#)
[52271-2869-CUT-TAPE](#) [62674-201121DLF](#) [62684-36210E9ALF](#) [52610-1675](#) [52746-1671-TR250](#) [10051922-2810EHLF](#) [6-520415-9](#)
[BD021-09A-A1-0350-0200-0550-LD](#) [SFV6R-1STE9HLF](#) [XF3M-2915-1B-R100](#) [1658549-1](#) [62674-221121ALF](#) [46214008010800](#)
[046298003000883](#) [151660622](#) [842-816-2630-035](#) [AYF530665TA](#) [AYF351525](#) [046296011930846+](#) [AYF352325A](#) [046254020000800+](#)
[FH19C-13S-0.5SH\(99\)](#) [FH39J-51S-0.3SHW\(99\)](#) [AYF355125A](#) [AYF530365TA](#) [FH29B-44S-0.2SHW\(99\)](#) [SFW5R-2STAE9LF](#) [AYF351125A](#)
[AYF350725A](#) [62684-502100AHLF](#) [FH39-61S-0.3SHW\(99\)](#) [AYF414035A](#) [10064555-172520HLF](#) [AYF212335A](#) [504754-2500](#)