

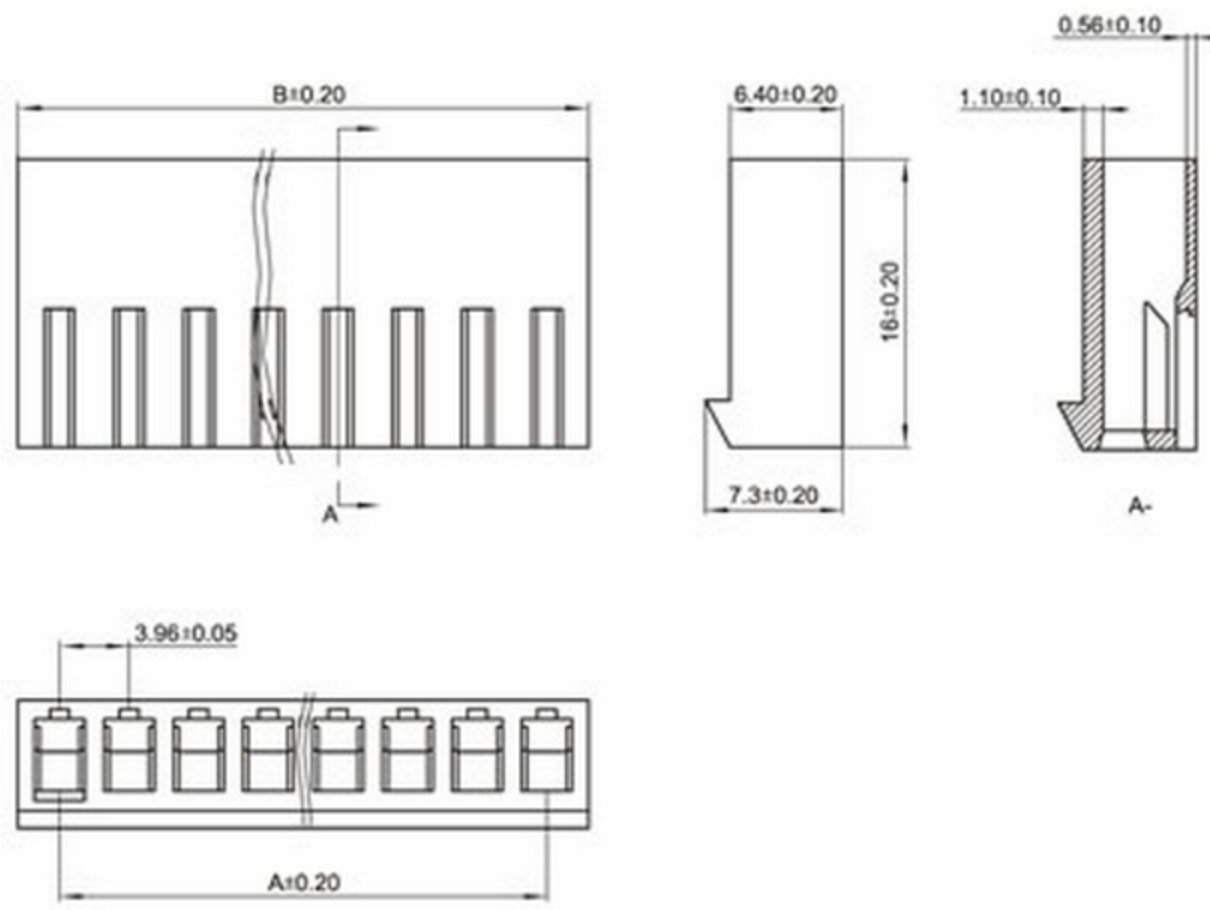
◆ SPECIFICATIONS

Unit:mm

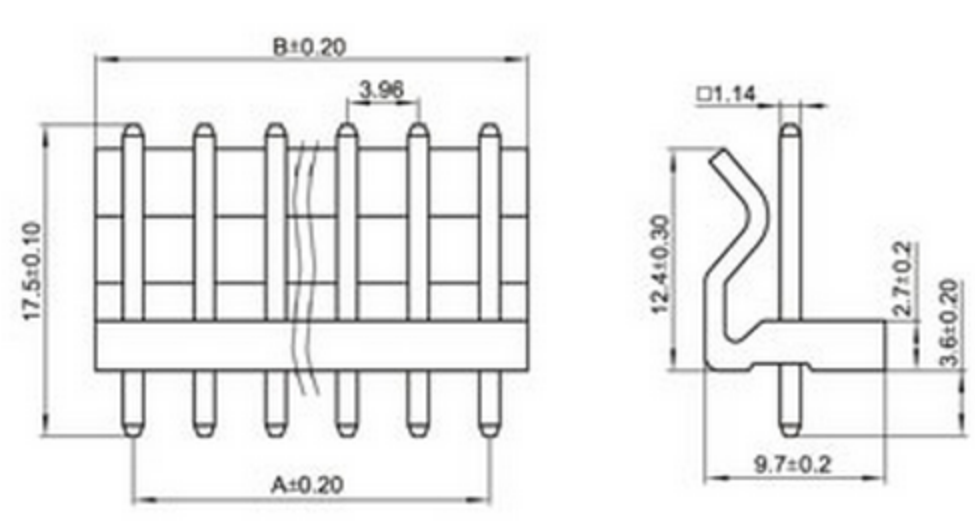
- ◇ Poles: 2~12
- ◇ Applicable wire: AWG#22-#30
- ◇ Voltage rating: 250V DC/AC
- ◇ Current rating: 6A
- ◇ Withstand voltage: 1500V AC
- ◇ Working Temperature: -25°C~+85°C
- ◇ Insulation resistance: ≥ 1000MΩ
- ◇ Contact resistance: ≤ 0.01Ω
- ◇ Applicable PC board thickness: 1.6mm

UL:Recognized No.E309635
RoHS-specification and Halogen-free products

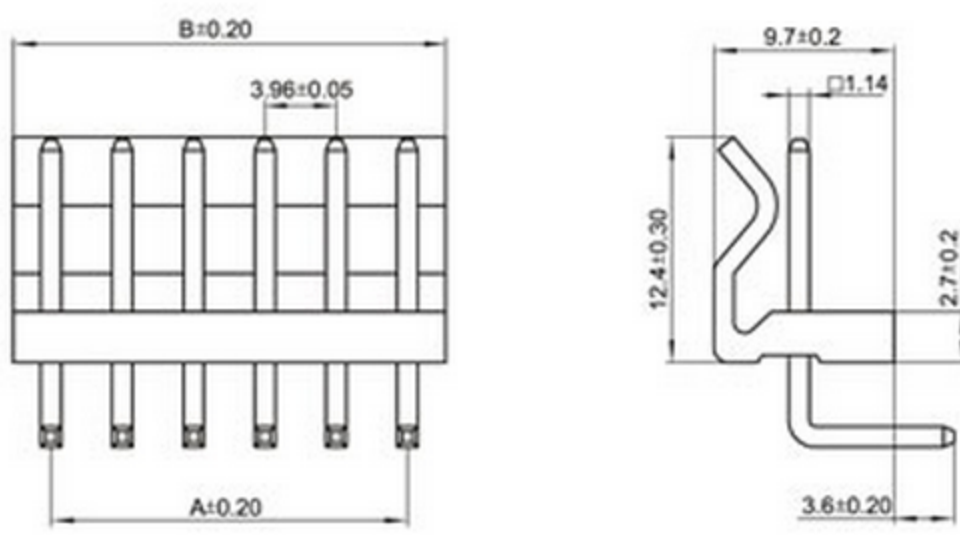
CH3.96-nY



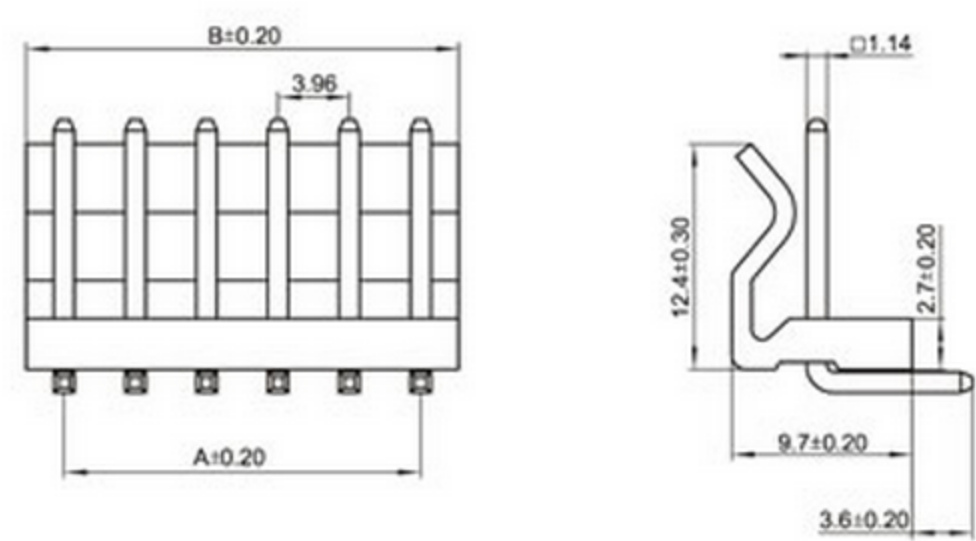
CH3.96-nA



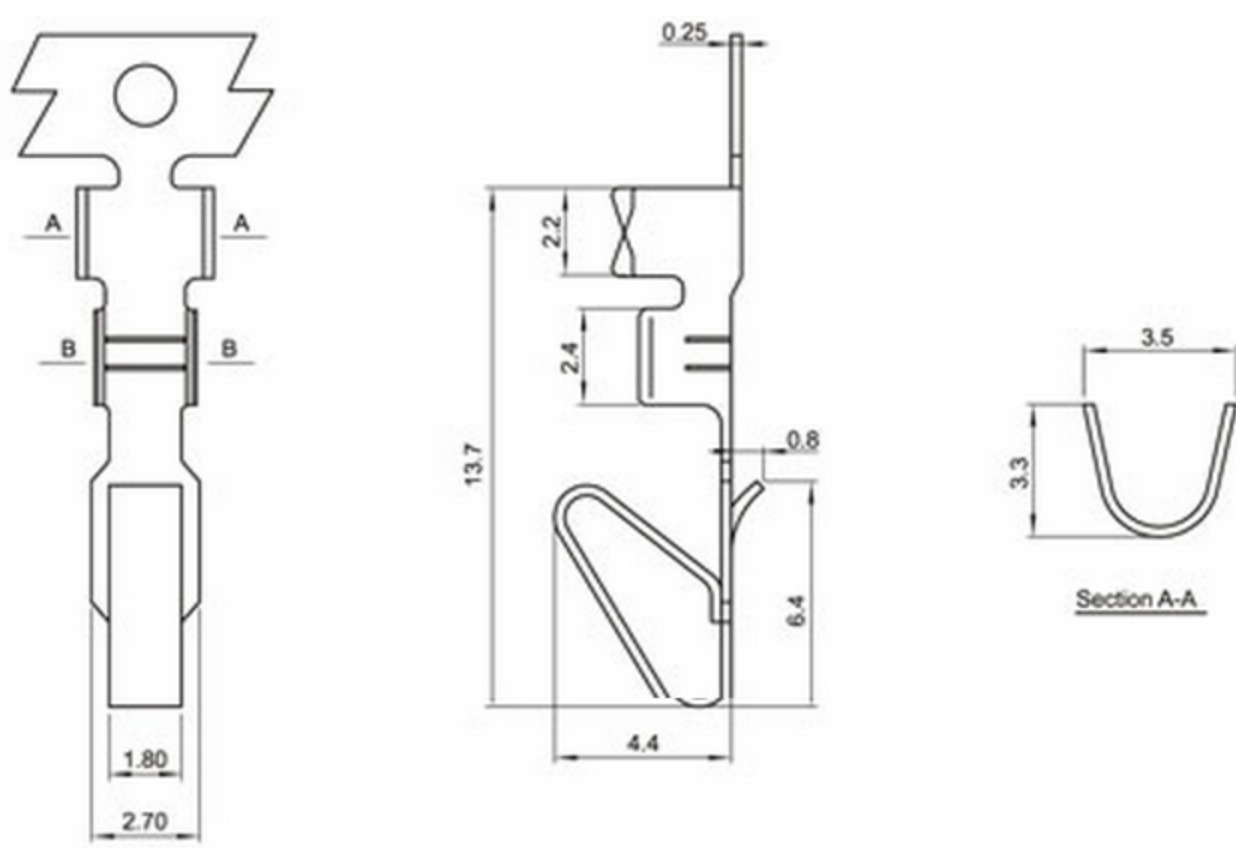
CH3.96-nAGW



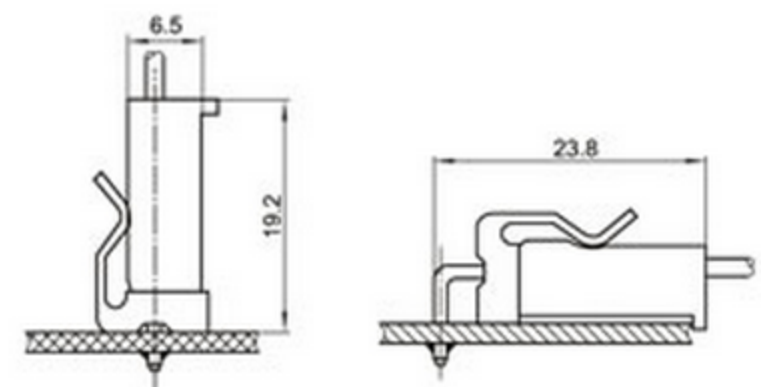
CH3.96-nAW



CH3.96-PT



Mounting Measurement

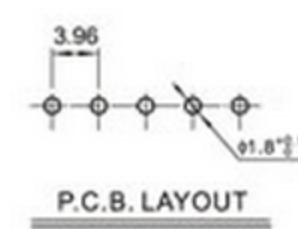


Terminal(CH3.96)

Type	Applicable wires		O.D of wire ins	Material	Finish
	mm ²	AWG#	mm		
BM-CH3.96	0.08~0.3	22~32	1.2~1.9	Phos.bronze	Tin-plated

Poles	Type	Size(mm)	
		A	B
2	CH3.96-2Y	3.96	8.65
3	CH3.96-3Y	7.92	12.61
4	CH3.96-4Y	11.88	16.57
5	CH3.96-5Y	15.84	20.53
6	CH3.96-6Y	19.80	24.49
7	CH3.96-7Y	23.76	28.45
8	CH3.96-8Y	27.72	32.41
9	CH3.96-9Y	31.68	36.37
10	CH3.96-10Y	35.64	40.33
11	CH3.96-11Y	39.60	44.29
12	CH3.96-12Y	43.56	48.25
13	CH3.96-13Y	47.52	52.21
14	CH3.96-14Y	51.48	56.17
15	CH3.96-15Y	55.44	60.13

Poles	Type	Size(mm)	
		A	B
2	CH3.96-2A	3.96	3.96
3	CH3.96-3A	7.92	11.90
4	CH3.96-4A	11.88	16.00
5	CH3.96-5A	15.84	20.00
6	CH3.96-6A	19.80	24.00
7	CH3.96-7A	23.76	27.85
8	CH3.96-8A	27.72	31.80
9	CH3.96-9A	31.68	35.70
10	CH3.96-10A	35.64	39.40
11	CH3.96-11A	39.60	43.40
12	CH3.96-12A	43.56	47.40
13	CH3.96-13A	47.52	51.40
14	CH3.96-14A	51.48	55.40
15	CH3.96-15A	55.44	59.40



X-ON Electronics

Largest Supplier of Electrical and Electronic Components

Click to view similar products for [Headers & Wire Housings](#) category:

Click to view products by [Boom](#) manufacturer:

Other Similar products are found below :

[95000-104TRLF](#) [10135584-644402LF](#) [DF62W-EP2022PCA](#) [95000-106TRLF](#) [DF62W-2022SCA](#) [DF62W-EP2022PC](#) [2203348](#) [DF62W-2022SC](#) [1084018](#) [1029039](#) [1084017](#) [802-10-012-10-002000](#) [1112640](#) [1112639](#) [891-007-9SS-BST1T](#) [000-34000](#) [0008550134](#) [0009482033](#) [0009507031](#) [57102-F02-18ULF](#) [57102-S06-03LF](#) [57202-S52-04LF](#) [PCN6-15S-2.5E](#) [0039019024](#) [58102-G61-06LF](#) [582553-1](#) [0009485154](#) [0009508121](#) [0022285053](#) [0050291907](#) [018731A](#) [LY20-4P-DT1-P1E-BR](#) [02.125.8002.8](#) [60101931](#) [60598-1 \(Cut Strip\)](#) [M1625-3R/100](#) [61062-3](#) [61082-181009](#) [CSU011177004](#) [636-1427](#) [638009-1](#) [641938-9](#) [641991-4](#) [644168-1](#) [644827-2](#) [647662-1](#) [65039-019ELF](#) [65692-001LF](#) [65781-018](#) [65781-047](#)