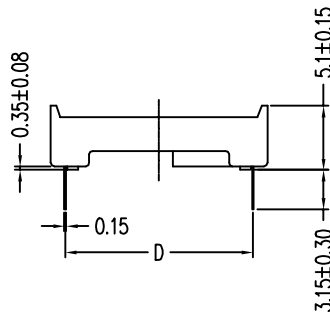
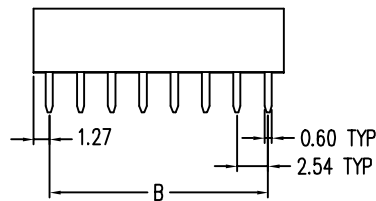
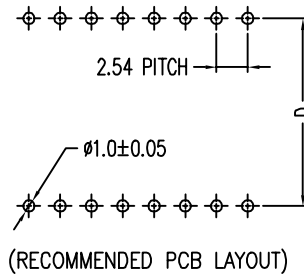
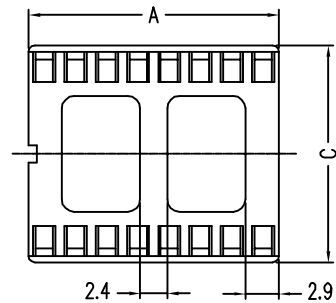


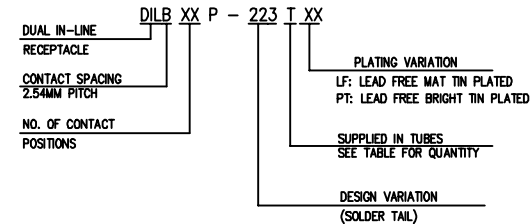
CATALOG NO	NO. OF CONTACTS	TABLE OF DIMENSIONS			
		A±0.30	B±0.25	C±0.30	D±0.20
DILB8P-223TXX	8P	10.16	7.62	10.16	7.62
DILB14P-223TXX	14P	17.78	15.24		
DILB16P-223TXX	16P	20.32	17.78		
DILB18P-223TXX	18P	22.86	20.32		
DILB20P-223TXX	20P	25.40	22.86	17.78	15.24
DILB24P-224TXX	24P	30.48	27.94		
DILB24P-223TXX	24P	30.48	27.94		
DILB28P-223TXX	28P	35.56	33.02		
DILB32P-223TXX	32P	40.64	38.10		
DILB40P-223TXX	40P	50.80	48.26		
DILB42P-223TXX	42P	53.34	50.80		



NOTES

- MATERIALS**
HOUSING: POLYAMIDE, UL94V-0 COLOR IN BLACK.
CONTACT: COPPER ALLOY.
- FINISH**
100u" MIN. MATTE OR BRIGHT TIN OVER 50u" MIN. NICKEL.
- PERFORMANCE CHARACTERISTICS**
 - OPERATING VOLTAGE: 200VAC;
 - CONTACT RESISTANCE: 30 MILLOHMS MAX. AT 6 VDC;
 - CURRENT RATING: 1 AMP. MAX.;
 - OPERING TEMPERATURE: CONTINUOUS, -55°C TO 105°C;
 - INSULATION RESISTANCE: 1000 MEGOHMS MIN AT 500 VDC;
 - DIELECTRIC WITHSTANDING VOLTAGE: 1000 VAC RMS MIN.;
 - DURABILITY: NO ELECTRICAL DEGRADATION AFTER 25 CYCLES;
 - THERMAL SHOCK: NO PHYSICAL OR ELECTRICAL DEGRADATION PER MIN-STD-1344, METHOD 1003, COND A;
 - MOISTURE RESISTANCE: 300 MEGOHMS MIN PER MIL-STD-202, METHOD 106. OMIT STEPS 7a AND 7b;
 - VIBRATION: NO ELECTRICAL INTERRUPTION GREATER THAN 1 MICROSECOND PER MIL-STD-1344. METHOD 2005 COND III;
 - MECHANICAL SHOCK: NO ELECTRICAL INTERRUPTION GREATER THAN 1 MICROSECOND WHEN 17.64 oz (500g) IS APPLIED FOR 0.75 MILLISECDS;
 - FLAMABILITY: UL94 V-0;
 - INSERTION FORCE 340.2g /CONTACT MAX.;
WITHDRAWAL FORCE: 14.5g/CONTACT MIN.;

ODERING INFORMATION



- DILBXXP-223TLF: THE HOUSING WILL WITHSTAND EXPOSURE TO 260° PER PERK TEMPERATURE FOR 10 SECONDS IN A WAVE SOLDER APPLICAITON.

mat'l. code				tolerances unless otherwise specified			CUSTOMER COPY							
ltr	ecn no	dr	date	linear	.X ± 0.3			projection	title DILB ASSEMBLY					
A	T05-0016	W.L	1/24/05		.XX ± 0.2									
B	T06-0053	J.H	3/28/06		.XXX ± 0.05									
C	T06-0068	J.H	7/7/06	angles	0° ± 2°			MM	product family		EDGE CARD		code	
				dr	WADE LIU	01/05/05	scale		A4	size	dwg no	10052485	code	
				engr	WADE LIU	01/05/05								1:1
				chr	WADE LIU	01/05/05		sheet						
				appd	STERLING LIN	01/08/05								
sheet index	revision	C	C											
	sheet	1	2											

X-ON Electronics

Largest Supplier of Electrical and Electronic Components

Click to view similar products for [IC & Component Sockets](#) category:

Click to view products by [Boom](#) manufacturer:

Other Similar products are found below :

[614-DG5](#) [670](#) [672](#) [673](#) [712-93-120-41-001000](#) [714-93-104-31-018000](#) [8-1437531-4](#) [8150-6P10](#) [835-43-014-10-001000](#) [851-41-006-10-001000](#) [851-43-008-20-001000](#) [851-43-014-20-001000](#) [851-93-006-20-001000](#) [851-93-010-20-001000](#) [853-43-020-10-001000](#) [86.010.0053.0](#) [116-43-308-41-007000](#) [121-13-318-41-001000](#) [121-13-320-41-001000](#) [121-13-308-41-001000](#) [123-43-314-41-801000](#) [123-43-420-41-001000](#) [122-13-316-41-001000](#) [123-13-624-41-001000](#) [123-43-306-41-001000](#) [12-3513-11](#) [123-91-320-41-001000](#) [126-43-310-41-002000](#) [AKSUN](#) [37V-T](#) [1437503-9](#) [1437504-1](#) [APA-640-G-P](#) [146-44-308-41-013000](#) [146-43-308-41-012000](#) [160-10-308-00-001000](#) [160-40-320-00-001000](#) [214-99-306-01-670800](#) [2-382761-4](#) [2-5331677-4](#) [2-640360-3](#) [2801-3-00-44-00-00-07-0](#) [940-44-052-17-400004](#) [299-83-314-11-001101](#) [1986000-2](#) [2103331641101000](#) [210-43-320-41-001000](#) [210-99-628-41-001000](#) [2-1437504-6](#) [2-1437515-5](#) [2-1437531-2](#)