

◆ SPECIFICATIONS

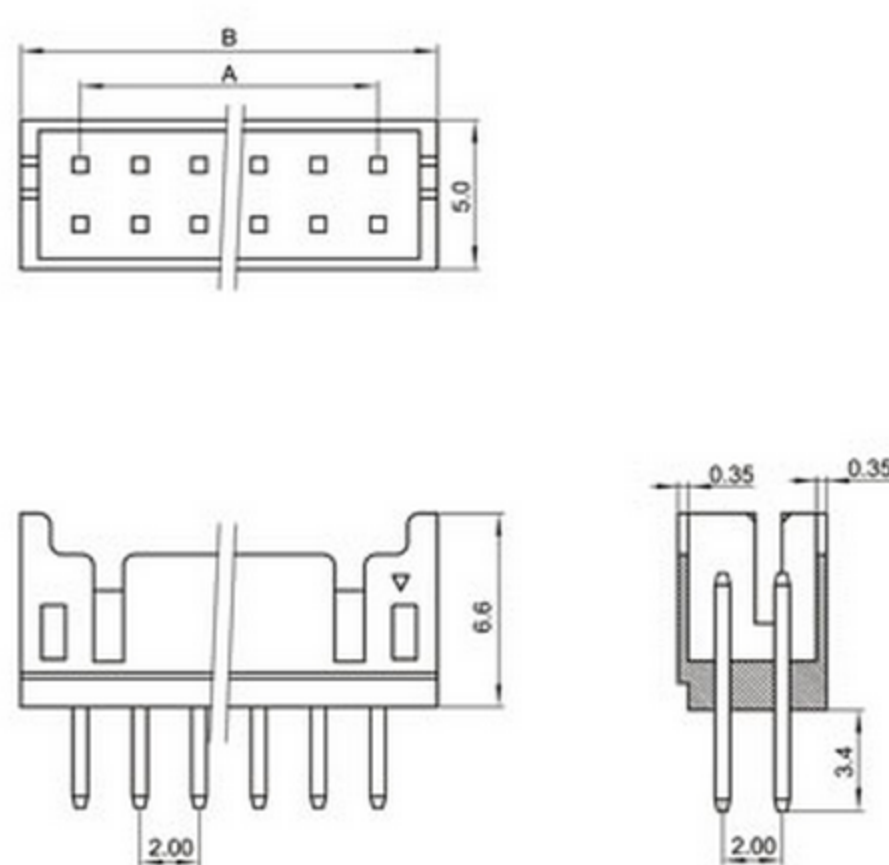
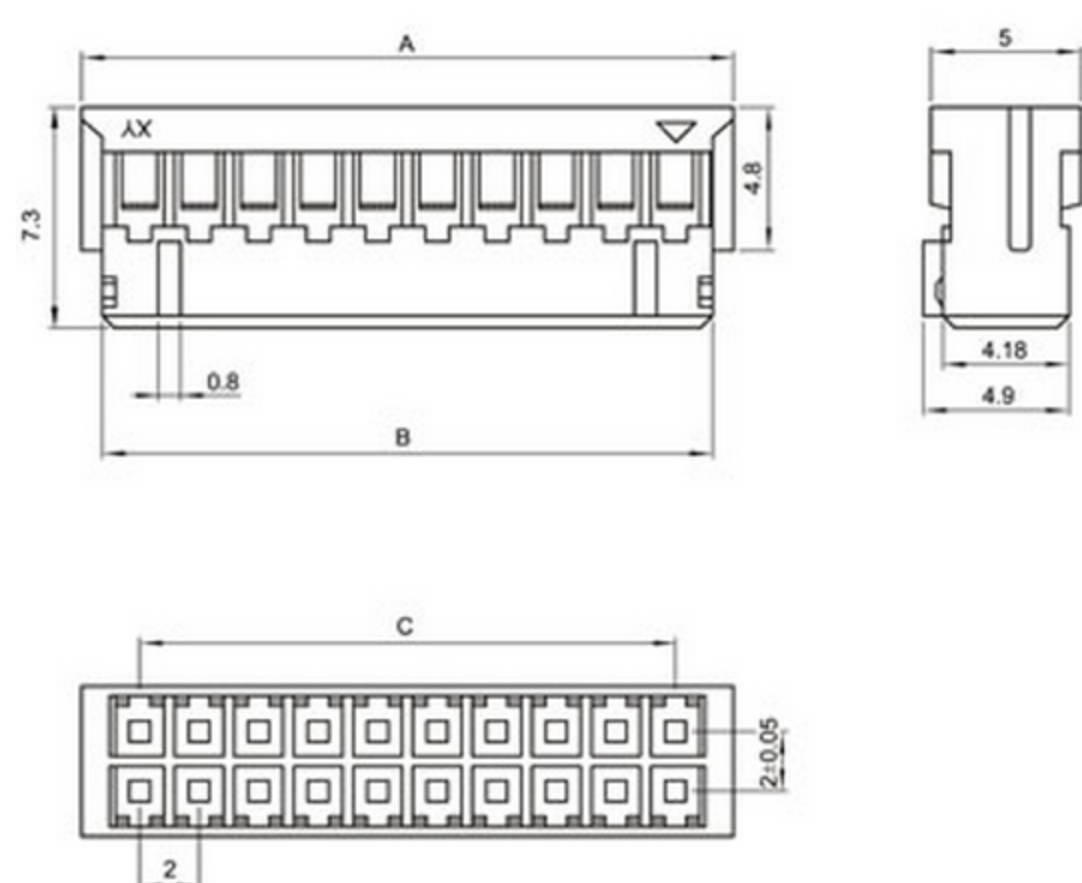
Unit:mm

- ◇ Poles: 6~40
- ◇ Applicable wire: AWG#24-#30
- ◇ Voltage rating: 250V DC/AC
- ◇ Current rating: 2.0A
- ◇ Withstand voltage: 800V AC
- ◇ Working Temperature: -25°C~+85°C
- ◇ Insulation resistance: ≥ 1000MΩ
- ◇ Contact resistance: ≤ 0.01Ω
- ◇ Applicable PC board thickness: 0.6~1.2mm

UL:Recognized No.E309635
RoHS-specification and Halogen-free products

PH-D-2xnY 双排母座

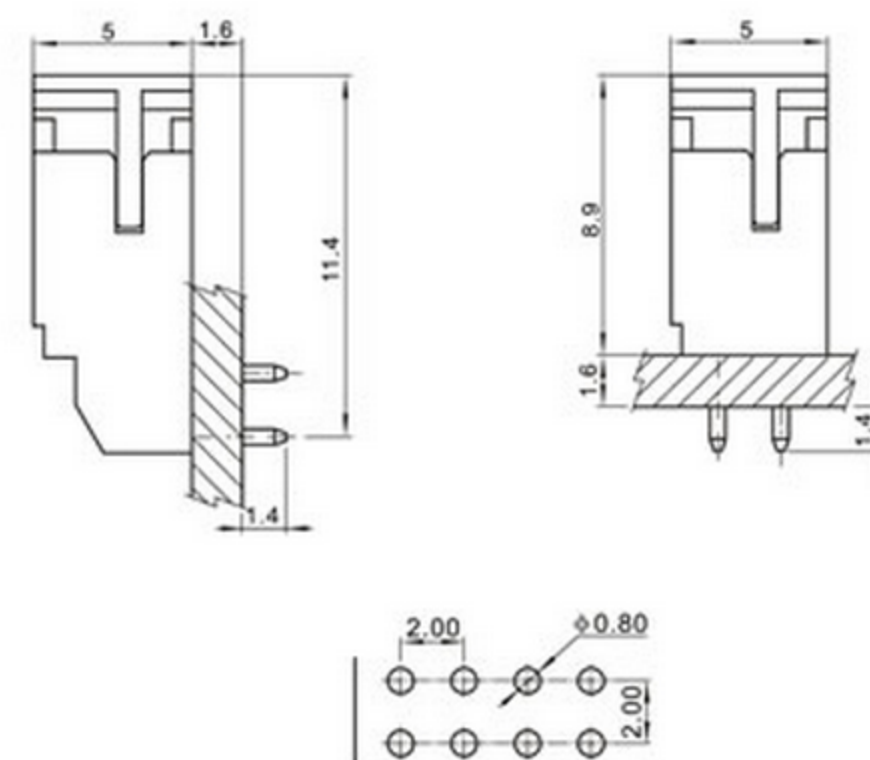
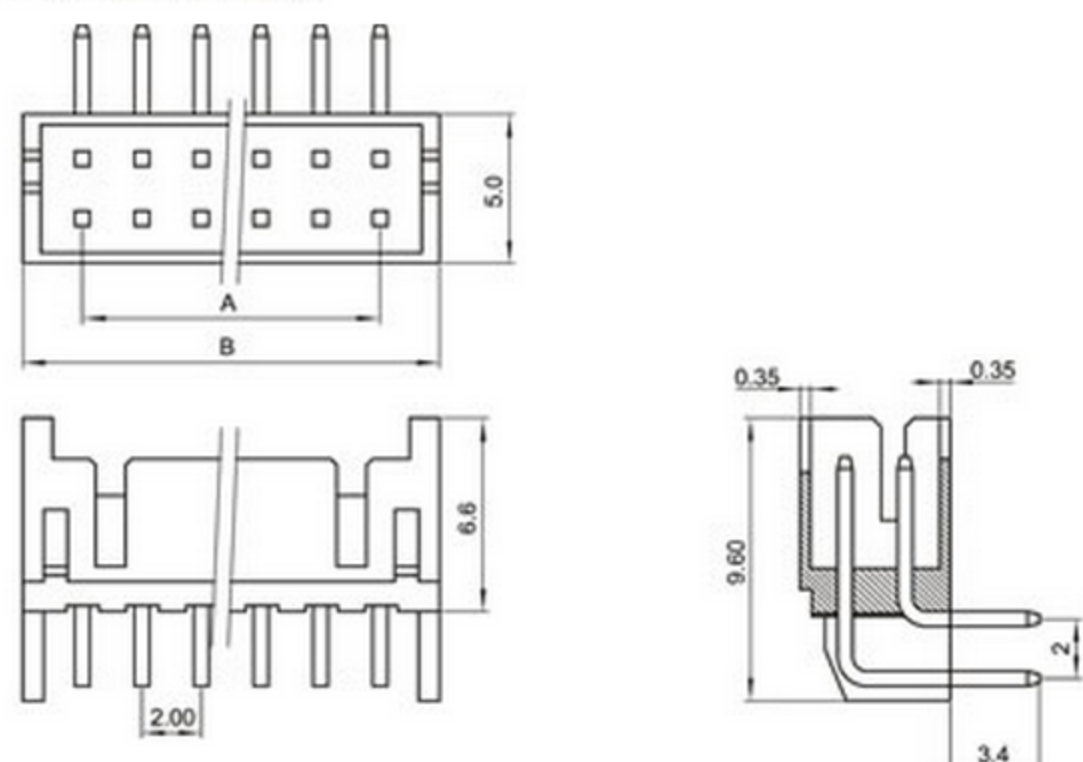
PH-D-2xnA 双排直针针座



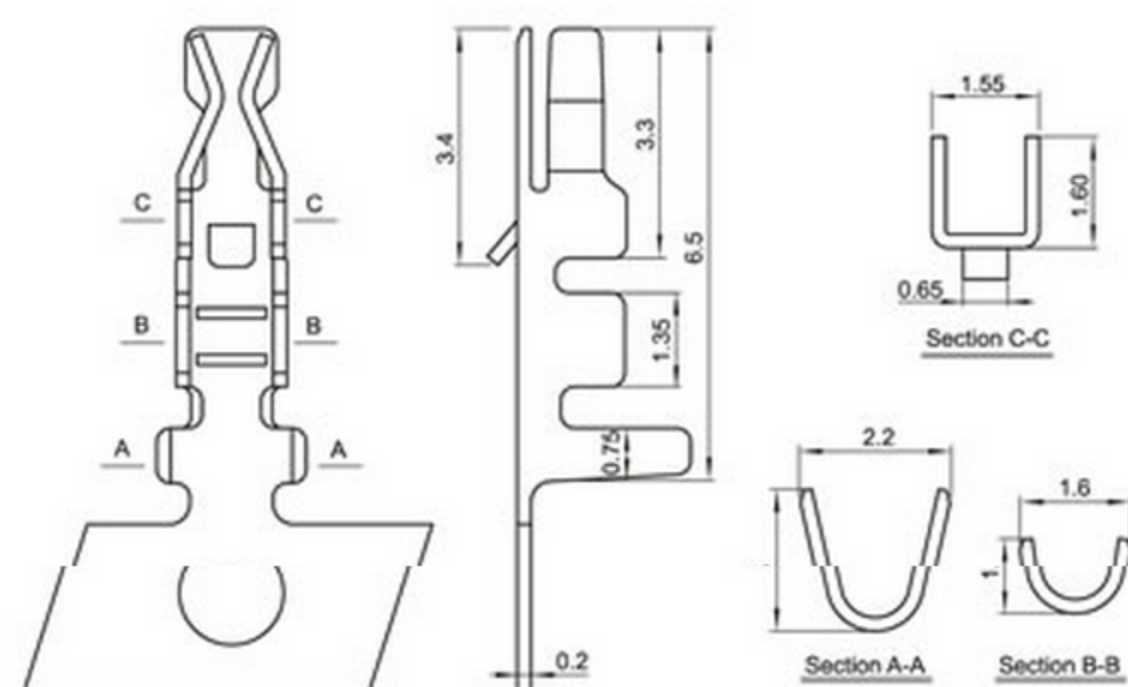
PH-D-2xnAWD 双排弯针针座

Unit:mm

Mounting Measurement



PH-D-PT



Terminal(PH-D)

Type	Applicable wires		O.D of wire ins mm	Material	Finish
	mm ²	AWG#			
BM-PH-D	0.08~0.3	28~22	1.2~1.9	Phos.bronze	Tin-plated

Poles	Type	Size(mm)		Poles	Type	Size(mm)	
		A	B			A	B
2	PH-2x2Y	2.0	6.0	2	PH-2x2A	2.0	6.0
3	PH-2x3Y	4.0	8.0	3	PH-2x3A	4.0	8.0
4	PH-2x4Y	6.0	10.0	4	PH-2x4A	6.0	10.0
5	PH-2x5Y	8.0	12.0	5	PH-2x5A	8.0	12.0
6	PH-2x6Y	10.0	14.0	6	PH-2x6A	10.0	14.0
7	PH-2x7Y	12.0	16.0	7	PH-2x7A	12.0	16.0
8	PH-2x8Y	14.0	18.0	8	PH-2x8A	14.0	18.0
9	PH-2x9Y	16.0	20.0	9	PH-2x9A	16.0	20.0
10	PH-2x10Y	18.0	22.0	10	PH-2x10A	18.0	22.0
11	PH-2x11Y	20.0	24.0	11	PH-2x11A	20.0	24.0
12	PH-2x12Y	22.0	26.0	12	PH-2x12A	22.0	26.0
13	PH-2x13Y	24.0	28.0	13	PH-2x13A	24.0	28.0
14	PH-2x14Y	26.0	30.0	14	PH-2x14A	26.0	30.0
15	PH-2x15Y	28.0	32.0	15	PH-2x15A	28.0	32.0
16	PH-2x16Y	30.0	34.0	16	PH-2x16A	30.0	34.0
17	PH-2x17Y	32.0	36.0	17	PH-2x17A	32.0	36.0
18	PH-2x18Y	34.0	38.0	18	PH-2x18A	34.0	38.0
19	PH-2x19Y	36.0	40.0	19	PH-2x19A	36.0	40.0
20	PH-2x20Y	38.0	42.0	20	PH-2x20A	38.0	42.0

X-ON Electronics

Largest Supplier of Electrical and Electronic Components

Click to view similar products for [Headers & Wire Housings](#) category:

Click to view products by [Boom](#) manufacturer:

Other Similar products are found below :

[95000-104TRLF](#) [10135584-644402LF](#) [DF62W-EP2022PCA](#) [95000-106TRLF](#) [DF62W-2022SCA](#) [DF62W-EP2022PC](#) [2203348](#) [DF62W-2022SC](#) [1084018](#) [1029039](#) [1084017](#) [802-10-012-10-002000](#) [1112640](#) [1112639](#) [891-007-9SS-BST1T](#) [000-34000](#) [0008550134](#) [0009482033](#) [0009507031](#) [57102-F02-18ULF](#) [57102-S06-03LF](#) [57202-S52-04LF](#) [PCN6-15S-2.5E](#) [0039019024](#) [58102-G61-06LF](#) [582553-1](#) [0009485154](#) [0009508121](#) [0022285053](#) [0050291907](#) [018731A](#) [LY20-4P-DT1-P1E-BR](#) [02.125.8002.8](#) [60101931](#) [60598-1 \(Cut Strip\)](#) [M1625-3R/100](#) [61062-3](#) [61082-181009](#) [CSU011177004](#) [636-1427](#) [638009-1](#) [641938-9](#) [641991-4](#) [644168-1](#) [644827-2](#) [647662-1](#) [65039-019ELF](#) [65692-001LF](#) [65781-018](#) [65781-047](#)