

Specifications

备注 (Remark)

1. 材料 (MATERIAL)

胶芯: PA6T+30%G. F UL94V-0, 颜色: 黑色.

Housing: PA6T+30%G. F UL94V-0, Color: Black

四方针: 黄铜, 镀底30u"MIN, 表面镀金0.8u"MIN

Contact: Brass, 0.8u"MIN GOLD PLATING OVER ALL

30u" MIN NICKEL UNDERPLATING OVER ALL

2. 特性 (characteristics):

额定电流: 2 AMP

Rating Current: 2 AMP.

接触阻抗: 20 MΩ MAX.

Contact Resistance: 20 MΩ MAX.

绝缘阻抗: 1000 MΩ MIN.

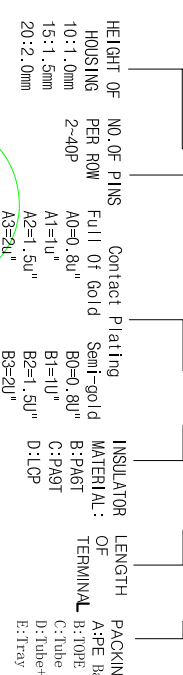
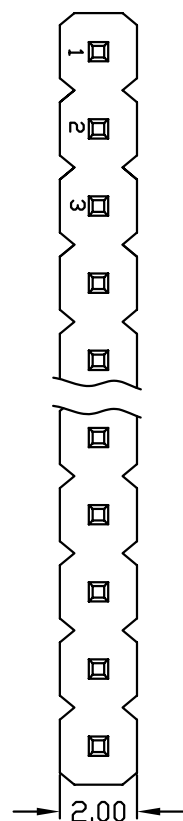
Insulating Resistance: 1000 MΩ MIN.

耐电压: AC 500V.

Withstanding Voltage: AC 500V.

温度范围: -40°C to+105°C

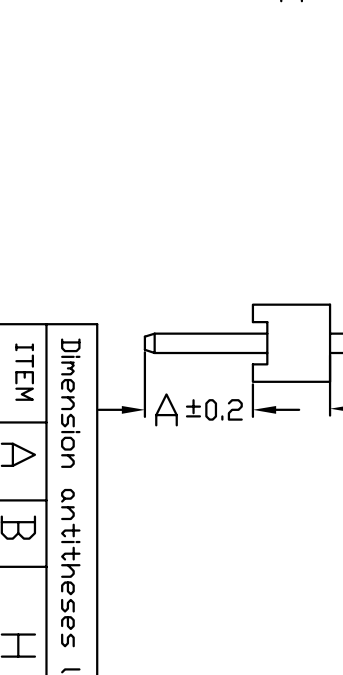
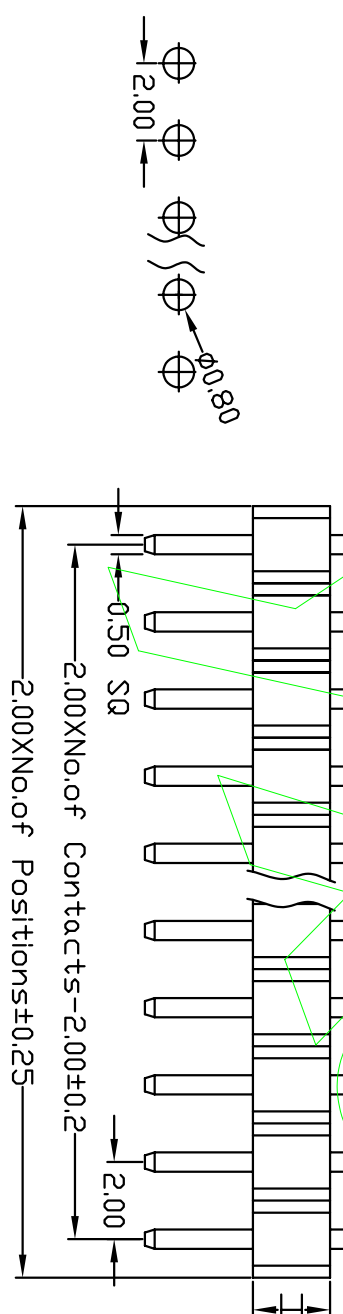
Temperature Range: -40°C to+105°C



Ordering Information

P2XX-11 XX XX X S XXX X 1

HEIGHT OF HOUSING	NO. OF PINS PER ROW	Contact Plating	INSULATOR MATERIAL:	LENGTH OF TERMINAL	PACKING ASPE. Bag
10: 1.0mm	2-40P	Full of Gold	PA6T	B: 10P & Reel	
15: 1.5mm		Semi-gold	C: PA9T	C: Tube	
20: 2.0mm		A0=0.8u"		D: Tube+Cap	
		A1=1u"		E: Tray	
		A2=1.5u"			
		A3=2u"			
		A4=3u"			
		A5=5u"			
		A6=10u"			
		A7=15u"			
		A8=20u"			
		A9=30u"			
		S1=Ordinary Tin Plated			
		S2=Matte Tin Plated			
		S3= Tin-plated High-temperature			



ITEM	A	B	H
Standard	2.8	4.0	1.0 1.5 2.0
Alternate			

REV	DATE	MODIFICATION DESCRIPTION	CHANGE	APPROVE	OPERATION		SCALE		DESIGN	CHECK	PART NO.	TITLE:
					X.XX	±0.25	UNIT	Fit				
					X.XX	±0.20	A4	1/1	DESIGN		P2XX-11XXXXXXX1	2.0mm 单排针 180度
					X.XXX	±0.10	SIZE	1/1	CHECK			
					Angle	±3°	SHEET					
					DIM	TOL	PROJ.		APPROVE		Customer No.	

YXCON 东莞市宇熙精密连接器有限公司
Dongguan Yuxi Electronic Co., Ltd.

卢小强

X-ON Electronics

Largest Supplier of Electrical and Electronic Components

Click to view similar products for [Headers & Wire Housings](#) category:

Click to view products by [Boom](#) manufacturer:

Other Similar products are found below :

[95000-104TRLF](#) [10135584-644402LF](#) [DF62W-EP2022PCA](#) [95000-106TRLF](#) [DF62W-2022SCA](#) [DF62W-EP2022PC](#) [2203348](#) [DF62W-2022SC](#) [1084018](#) [1029039](#) [1084017](#) [802-10-012-10-002000](#) [1112640](#) [1112639](#) [891-007-9SS-BST1T](#) [000-34000](#) [0008550134](#) [0009482033](#) [0009507031](#) [57102-F02-18ULF](#) [57102-S06-03LF](#) [57202-S52-04LF](#) [PCN6-15S-2.5E](#) [0039019024](#) [58102-G61-06LF](#) [582553-1](#) [0009485154](#) [0009508121](#) [0022285053](#) [0050291907](#) [018731A](#) [LY20-4P-DT1-P1E-BR](#) [02.125.8002.8](#) [60101931](#) [60598-1 \(Cut Strip\)](#) [M1625-3R/100](#) [61062-3](#) [61082-181009](#) [CSU011177004](#) [636-1427](#) [638009-1](#) [641938-9](#) [641991-4](#) [644168-1](#) [644827-2](#) [647662-1](#) [65039-019ELF](#) [65692-001LF](#) [65781-018](#) [65781-047](#)