

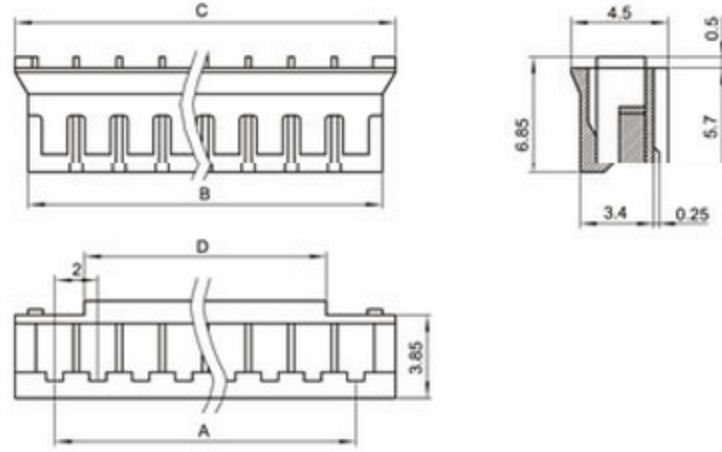
◆ SPECIFICATIONS

Unit:mm

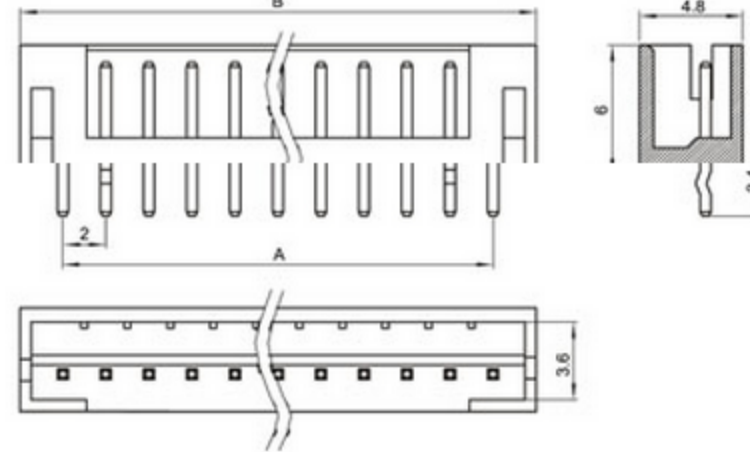
- ◇ Poles: 2~16
- ◇ Applicable wire: AWG#24-#30
- ◇ Voltage rating: 250V DC/AC
- ◇ Current rating: 2.0A
- ◇ Withstand voltage: 800V AC
- ◇ Working Temperature: -25°C~+85°C
- ◇ Insulation resistance: ≥ 1000MΩ
- ◇ Contact resistance: ≤ 0.01Ω
- ◇ Applicable PC board thickness: 0.6~1.2mm

UL:Recognized No.E309635
RoHS-specification and
Halogen-free products

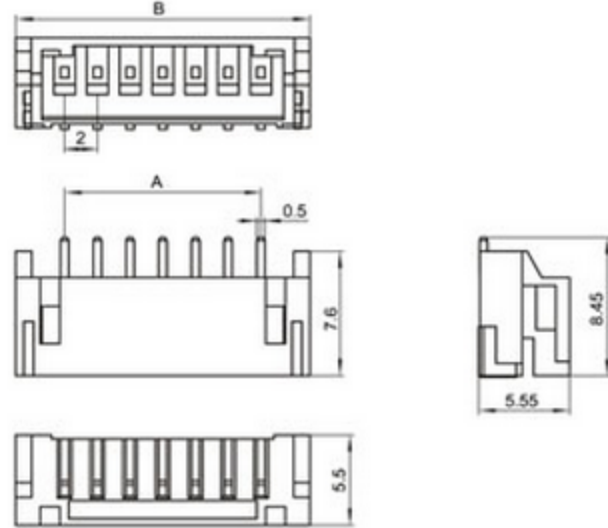
PH-nY 母座



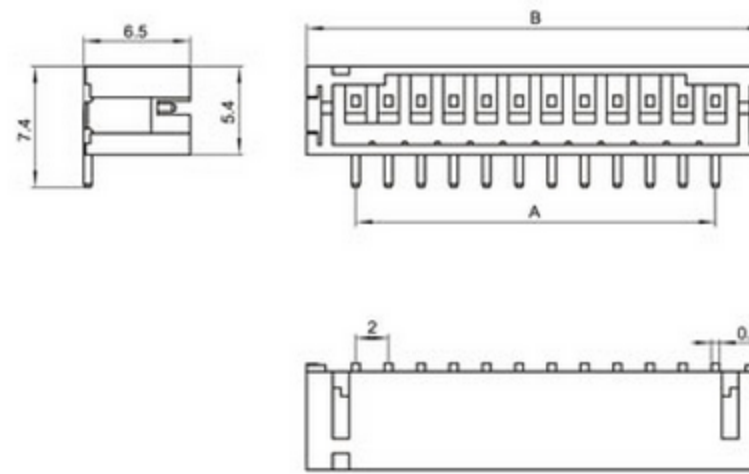
PH-nA 直针针座



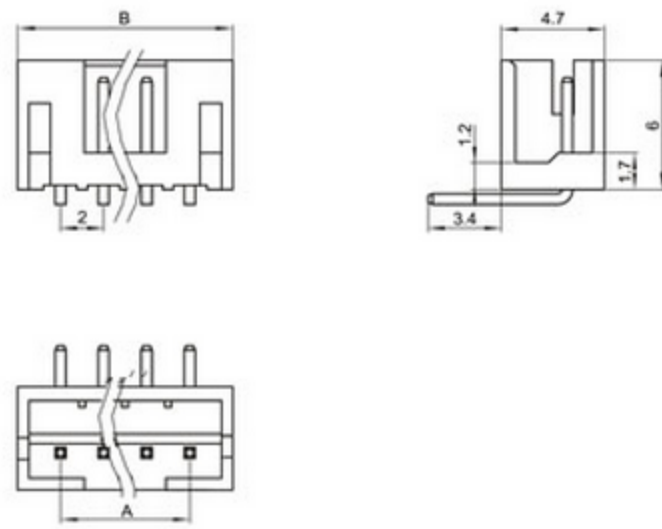
PH-nA 卧贴



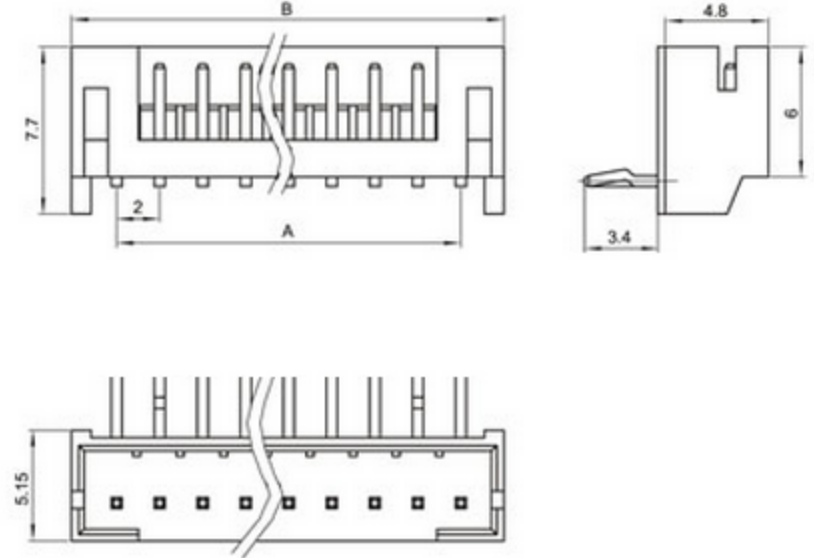
PH-nA 立贴



PH-nAW 弯针针座

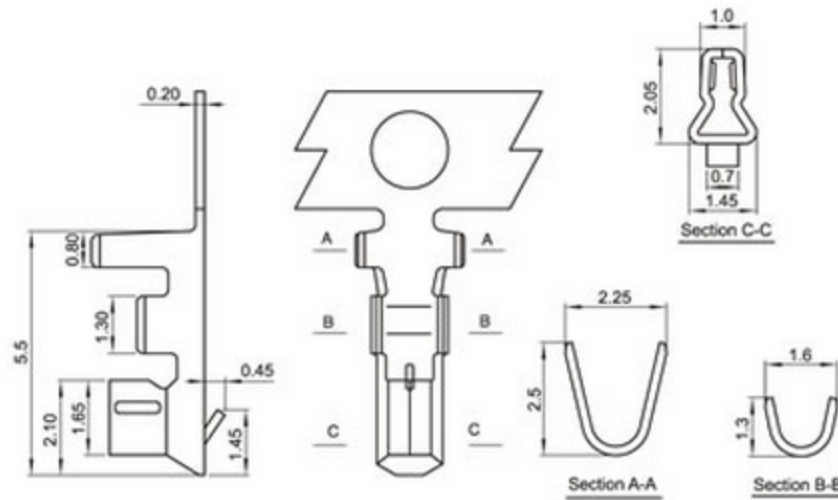


PH-nAWD

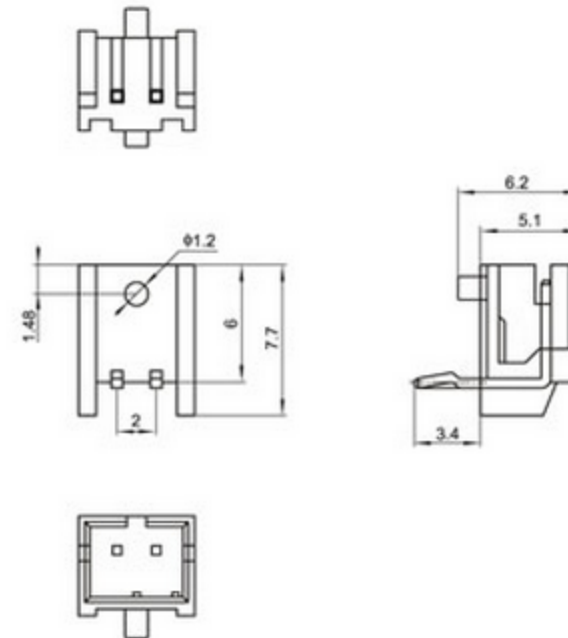


Unit:mm

PH-PT



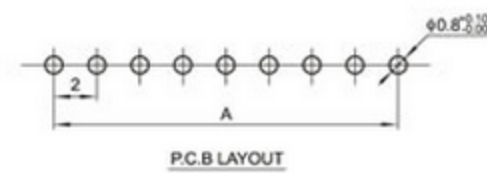
PH-nA 泡钉



Terminal(PH)

Type	Applicable wires		O.D of wire ins mm	Material	Finish
	mm ²	AWG#			
BM-PH	0.08-0.3	28-22	1.2-1.9	Phos.bronze	Tin-plated

Poles	Type	Size(mm)				Poles	Type	Size(mm)	
		A	B	C	D			A	B
2	PH-2Y	2.0	4.7	5.9	0.9	2	PH-2A	2.0	6.0
3	PH-3Y	4.0	6.7	7.9	1.4	3	PH-3A	4.0	8.0
4	PH-4Y	6.0	8.7	9.9	3.4	4	PH-4A	6.0	10.0
5	PH-5Y	8.0	10.7	11.9	5.4	5	PH-5A	8.0	12.0
6	PH-6Y	10.0	12.7	13.9	7.4	6	PH-6A	10.0	14.0
7	PH-7Y	12.0	14.7	15.9	9.4	7	PH-7A	12.0	16.0
8	PH-8Y	14.0	16.7	17.9	11.4	8	PH-8A	14.0	18.0
9	PH-9Y	16.0	18.7	19.9	13.4	9	PH-9A	16.0	20.0
10	PH-10Y	18.0	20.7	21.9	15.4	10	PH-10A	18.0	22.0
11	PH-11Y	20.0	22.7	23.9	17.4	11	PH-11A	20.0	24.0
12	PH-12Y	22.0	24.7	25.9	19.4	12	PH-12A	22.0	26.0
13	PH-13Y	24.0	26.7	27.9	21.4	13	PH-13A	24.0	28.0
14	PH-14Y	26.0	28.7	29.9	23.4	14	PH-14A	26.0	30.0
15	PH-15Y	28.0	30.7	31.9	25.4	15	PH-15A	28.0	32.0
16	PH-16Y	30.0	32.7	33.9	27.4	16	PH-16A	30.0	34.0



X-ON Electronics

Largest Supplier of Electrical and Electronic Components

Click to view similar products for [Headers & Wire Housings](#) category:

Click to view products by [Boom](#) manufacturer:

Other Similar products are found below :

[57102-F02-18ULF](#) [58102-G61-06LF](#) [0009485154](#) [009176003701906](#) [0050291907](#) [02.125.8002.8](#) [609-3404](#) [61062-3](#) [622-0430](#) [622-3653LF](#)
[63453-116](#) [636-1030](#) [636-1427](#) [636-3427](#) [636-4007](#) [641938-9](#) [644827-2](#) [65495-038](#) [65692-001LF](#) [65781-018](#) [65781-047](#) [65817-010LF](#)
[65817-015LF](#) [66207-023LF](#) [67016-026LF](#) [67095-007LF](#) [68631-112](#) [68645-018](#) [68648-049](#) [699319-000](#) [70.362.1628.0](#) [70-4210](#) [70-4226B](#)
[70-4853B](#) [707-5020](#) [707-5028](#) [71.350.2428.0](#) [71961-016LF](#) [733-134](#) [754199-000](#) [760-3052](#) [787-8014-00](#) [FCN-367T-T012/H](#) [80.063.4001.1](#)
[800-90-001-10-001000](#) [800-90-010-10-002000](#) [801-43-002-10-013000](#) [801-43-006-10-002000](#) [803-41-018-10-001000](#) [803-43-014-20-](#)
[001000](#)