

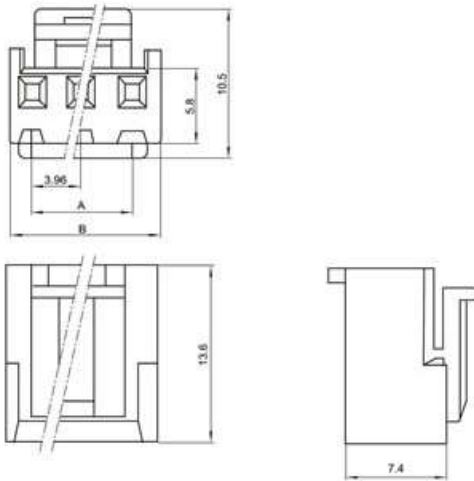
◆ SPECIFICATIONS

Unit:mm

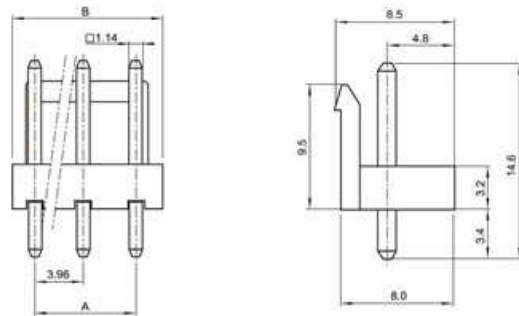
- ◇ Poles: 2~16
- ◇ Applicable wire: AWG#22-#18
- ◇ Voltage rating: 250V DC/AC
- ◇ Current rating: 7A
- ◇ Withstand voltage: 1500V AC
- ◇ Working Temperature: -25°C~+85°C
- ◇ Insulation resistance: $\geq 1000M\Omega$
- ◇ Contact resistance: $\leq 0.02\Omega$
- ◇ Applicable PC board thickness: 1.6mm

UL:Recognized No.E309635
 RoHS-specification and
 Halogen-free products

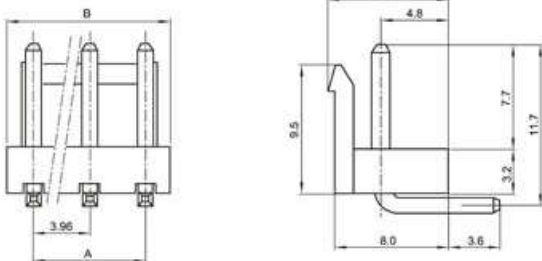
VH3.96-nY



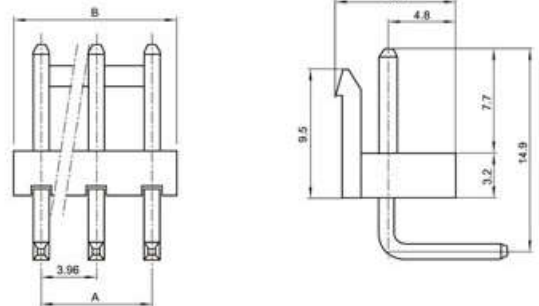
VH3.96-nA



VH3.96-nAW

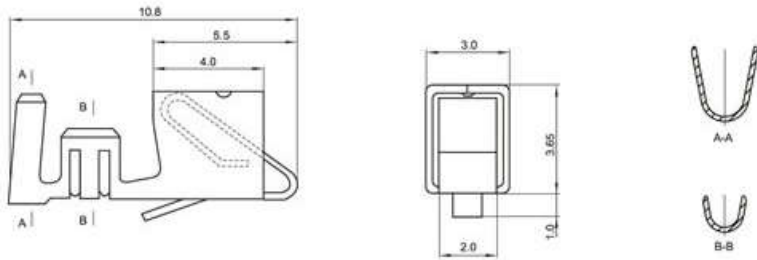


VH3.96-nAWD

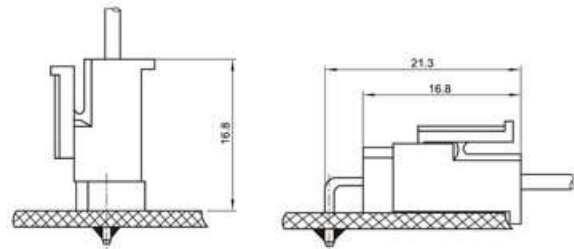


Unit:mm

VH3.96-PT

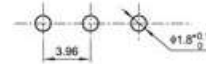


Mounting Measurement



Terminal(VH3.96)

Type	Applicable wires		O.D of wire ins	Material	Finish
	mm ²	AWG#	mm		
BM-VH3.96	0.33-0.83	22-18	1.7-3.0	Phos.bronze	Tin-plated



P.C.B. LAYOUT

Poles	Type	Size(mm)		Poles	Type	Size(mm)	
		A	B			A	B
2	VH3.96-2Y	3.96	8.06	2	VH3.96-2A	3.96	8.06
3	VH3.96-3Y	7.92	11.92	3	VH3.96-3A	7.92	11.92
4	VH3.96-4Y	11.88	15.88	4	VH3.96-4A	11.88	15.88
5	VH3.96-5Y	15.84	19.84	5	VH3.96-5A	15.84	19.84
6	VH3.96-6Y	19.80	23.80	6	VH3.96-6A	19.80	23.80
7	VH3.96-7Y	23.76	27.76	7	VH3.96-7A	23.76	27.76
8	VH3.96-8Y	27.72	31.72	8	VH3.96-8A	27.72	31.72
9	VH3.96-9Y	31.68	35.68	9	VH3.96-9A	31.68	35.68
10	VH3.96-10Y	35.64	39.64	10	VH3.96-10A	35.64	39.64
11	VH3.96-11Y	39.60	43.60	11	VH3.96-11A	39.60	43.60
12	VH3.96-12Y	43.56	47.56	12	VH3.96-12A	43.56	47.56
13	VH3.96-13Y	47.52	51.52	13	VH3.96-13A	47.52	51.52
14	VH3.96-14Y	51.48	55.48	14	VH3.96-14A	51.48	55.48
15	VH3.96-15Y	55.44	59.44	15	VH3.96-15A	55.44	59.44
16	VH3.96-16Y	59.4	63.4	16	VH3.96-16A	59.4	63.4

X-ON Electronics

Largest Supplier of Electrical and Electronic Components

Click to view similar products for [Headers & Wire Housings](#) category:

Click to view products by [Boom](#) manufacturer:

Other Similar products are found below :

[57102-F02-18ULF](#) [58102-G61-06LF](#) [0009485154](#) [009176003701906](#) [0050291907](#) [02.125.8002.8](#) [609-3404](#) [61062-3](#) [622-0430](#) [622-3653LF](#)
[63453-116](#) [636-1030](#) [636-1427](#) [636-3427](#) [636-4007](#) [641938-9](#) [644827-2](#) [65495-038](#) [65692-001LF](#) [65781-018](#) [65781-047](#) [65817-010LF](#)
[65817-015LF](#) [66207-023LF](#) [67016-026LF](#) [67095-007LF](#) [68631-112](#) [68645-018](#) [68648-049](#) [699319-000](#) [70.362.1628.0](#) [70-4210](#) [70-4226B](#)
[70-4853B](#) [707-5020](#) [707-5028](#) [71.350.2428.0](#) [71961-016LF](#) [733-134](#) [754199-000](#) [760-3052](#) [787-8014-00](#) [FCN-367T-T012/H](#) [80.063.4001.1](#)
[800-90-001-10-001000](#) [800-90-010-10-002000](#) [801-43-002-10-013000](#) [801-43-006-10-002000](#) [803-41-018-10-001000](#) [803-43-014-20-](#)
[001000](#)