



BOPLA

A Phoenix Mecano Company

Bocube





Bocube

Unique, innovative, versatile enclosure made of ABS or polycarbonate UL 94 V0

- 11 sizes, 66 standard combinations possible
- 2 material types: ABS or PC UL 94 V0, flame-resistant and self-extinguishing
- Captive lid with membrane keypad area, available in 2 variants: gray or crystal-clear
- Patented, innovative, hinged quick-release catch technology: open with a screwdriver, close by hand
- Elegant design, hinged quick-release catches available in different colors
- Mounting space for rectangular front panels and rectangular, grooved PCBs
- Excellent recyclability because of mono-material plastics without injection-molded metal parts
- Selection of the hinged side by means of blanking plugs (available as accessory)
- Comprehensive range of accessories
- Terminals and mounting on request



Color	Graphite gray, similar to RAL 7024; light gray, similar to RAL 7035; special colors on request
Protection class	IP 66/IP 67 DIN EN 60529
Enclosure material	ABS or PC UL 94 V0, foamed seal; for details, please see Technical Information in our main catalogue, "the red book"





Welcome to BOPLA City!



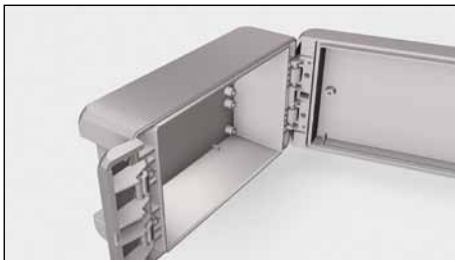
In the lid the enclosures have an area recessed by 2 mm for the mounting of membrane keypads (exception: B 080805, 0.5 mm).



By using the hinged quick-release catch, the enclosures can easily be closed by hand – use a standard screwdriver to open (size 3).



Instead of the hinged quick-release catch, the enclosures can be screwed – suitable screws are available as accessories and are concealed by the hinged catch.



The hinged quick-release catch ensures that the lid cannot be lost.



With the hinged quick-release catch, the lid can be opened to the left or right, as required. This simplifies mounting, and allows access to the electronics even during later use.



The blanking plugs allow the hinged side to be selected as required.



The Bocube with a PC UL 94 V0 crystal-clear lid is ideal for use as a display enclosure because it provides a permanent view of the front panel.



Rectangular front panels can be mounted in the base by using distance bolts.



Bocube is a mono-material plastic enclosure, so it is especially suitable for recycling.



There are very few parts, so this series of enclosures is very easy to assemble.



Bocube has a rectangular mounting space for grooved PCBs and rectangular mounting panels. These can be mounted in the lid and the base.



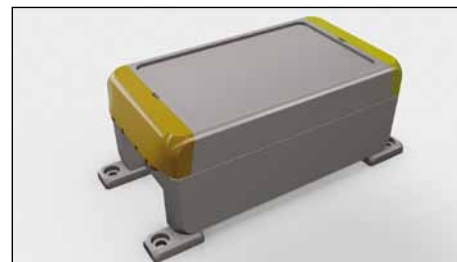
Large areas guarantee enough space for the mounting of cable glands, D-sub-connectors, etc.



A lead seal can be fitted and protects against unauthorized access. We can supply lead seals on request.



Colored catches can be matched to the customer's designs.



The wall brackets can be used for all Bocube sizes. They are screwed to the drill holes in the base of enclosure and are available in both enclosure colors.

Application example of our comprehensive range of services for Bocube.



Mechanical processing:

Milling, drilling, countersinking, thread cutting, punching, ultrasonic welding of individual mounting points

Mounting work:

Mounting of cable glands, battery compartments
Mounting of threaded bushings, bolts and conductive seals

Gluing work:

Insertion using supplied components, wiring

Soldering and assembly work

This is only a small selection of our comprehensive range of services, with which we manufacture individual products of excellent quality.

You will find more information in the introduction to our „the red book“ catalog.



Bocube

Bocube enclosures, polycarbonate UL 94 V0

Model	Order no.	A	B	C	a1	a2	b1	b2	c1	Color
B 080805 PC-V0 7024	96011114	89	80	47	50	52,6	68	73,6	40,5	Graphite gray
B 080805 PC-V0 7035	96011115	89	80	47	50	52,6	68	73,6	40,5	Light gray
B 080805 PC-V0-G 7024	96021114	89	80	47	50	52,6	68	73,6	40,5	Graphite gray, crystal-clear lid
B 080805 PC-V0-G 7035	96021115	89	80	47	50	52,6	68	73,6	40,5	Light gray, crystal-clear lid
B 100806 PC-V0 7024	96012124	113	80	60	74	76,4	68	73,4	52	Graphite gray
B 100806 PC-V0 7035	96012125	113	80	60	74	76,4	68	73,4	52	Light gray
B 100806 PC-V0-G 7024	96022124	113	80	60	74	76,4	68	73,4	52	Graphite gray, crystal-clear lid
B 100806 PC-V0-G 7035	96022125	113	80	60	74	76,4	68	73,4	52	Light gray, crystal-clear lid
B 100809 PC-V0 7024	96012134	113	80	90	74	75,9	68	72,9	82	Graphite gray
B 100809 PC-V0 7035	96012135	113	80	90	74	75,9	68	72,9	82	Light grey
B 100809 PC-V0-G 7024	96022134	113	80	90	74	75,9	68	72,9	82	Graphite gray, crystal-clear lid
B 100809 PC-V0-G 7035	96022135	113	80	90	74	75,9	68	72,9	82	Light gray, crystal-clear lid
B 140806 PC-V0 7024	96013124	151	80	60	112	114,4	68	73,4	52	Graphite gray
B 140806 PC-V0 7035	96013125	151	80	60	112	114,4	68	73,4	52	Light gray
B 140806 PC-V0-G 7024	96023124	151	80	60	112	114,4	68	73,4	52	Graphite gray, crystal-clear lid
B 140806 PC-V0-G 7035	96023125	151	80	60	112	114,4	68	73,4	52	Light gray, crystal-clear lid
B 140809 PC-V0 7024	96013134	151	80	90	112	113,9	68	72,9	82	Graphite gray
B 140809 PC-V0 7035	96013135	151	80	90	112	113,9	68	72,9	82	Light gray
B 140809 PC-V0-G 7024	96023134	151	80	90	112	113,9	68	72,9	82	Graphite gray, crystal-clear lid
B 140809 PC-V0-G 7035	96023135	151	80	90	112	113,9	68	72,9	82	Light gray, crystal-clear lid
B 141306 PC-V0 7024	96013224	151	125	60	112	114,4	113	118,4	52	Graphite gray
B 141306 PC-V0 7035	96013225	151	125	60	112	114,4	113	118,4	52	Light grey
B 141306 PC-V0-G 7024	96023224	151	125	60	112	114,4	113	118,4	52	Graphite gray, crystal-clear lid
B 141306 PC-V0-G 7035	96023225	151	125	60	112	114,4	113	118,4	52	Light grey, crystal-clear lid
B 141309 PC-V0 7024	96013234	151	125	90	112	113,9	113	117,9	82	Graphite gray
B 141309 PC-V0 7035	96013235	151	125	90	112	113,9	113	117,9	82	Light gray
B 141309 PC-V0-G 7024	96023234	151	125	90	112	113,9	113	117,9	82	Graphite gray, crystal-clear lid
B 141309 PC-V0-G 7035	96023235	151	125	90	112	113,9	113	117,9	82	Light gray, crystal-clear lid
B 221306 PC-V0 7024	96015224	231	125	60	192	194,4	113	118,4	52	Graphite gray
B 221306 PC-V0 7035	96015225	231	125	60	192	194,4	113	118,4	52	Light gray

Bocube



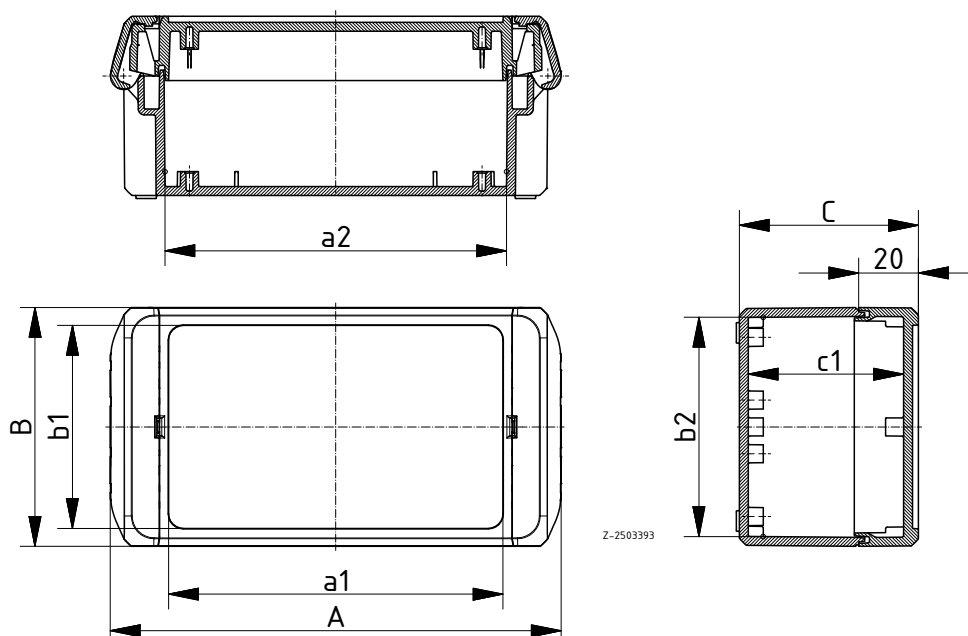
Bocube enclosures, polycarbonate UL 94 V0

Model	Order no.	A	B	C	a1	a2	b1	b2	c1	Color
B 221306 PC-V0-G 7024	96025224	231	125	60	192	194,4	113	118,4	52	Graphite gray, crystal-clear lid
B 221306 PC-V0-G 7035	96025225	231	125	60	192	194,4	113	118,4	52	Light gray, crystal-clear lid
B 221309 PC-V0 7024	96015234	231	125	90	192	194,1	113	117,9	82	Graphite gray
B 221309 PC-V0 7035	96015235	231	125	90	192	194,1	113	117,9	82	Light gray
B 221309 PC-V0-G 7024	96025234	231	125	90	192	194,1	113	117,9	82	Graphite gray, crystal-clear lid
B 221309 PC-V0-G 7035	96025235	231	125	90	192	194,1	113	117,9	82	Light gray, crystal-clear lid
B 261706 PC-V0 7024	96016324	271	170	60	232	234,4	158	163,4	51,5	Graphite gray
B 261706 PC-V0 7035	96016325	271	170	60	232	234,4	158	163,4	51,5	Light gray
B 261706 PC-V0-G 7024	96026324	271	170	60	232	234,4	158	163,4	51,5	Graphite gray, crystal-clear lid
B 261706 PC-V0-G 7035	96026325	271	170	60	232	234,4	158	163,4	51,5	Light gray, crystal-clear lid
B 261709 PC-V0 7024	96016334	271	170	90	232	234,1	158	163,1	81,5	Graphite gray
B 261709 PC-V0 7035	96016335	271	170	90	232	234,1	158	163,1	81,5	Light gray
B 261709 PC-V0-G 7024	96026334	271	170	90	232	234,1	158	163,1	81,5	Graphite gray, crystal-clear lid
B 261709 PC-V0-G 7035	96026335	271	170	90	232	234,1	158	163,1	81,5	Light gray, crystal-clear lid

Scope of delivery: Lid and base, hinged quick-release catches

Note: G = Model with crystal clear lid.

For accessories, see following pages.





Bocube

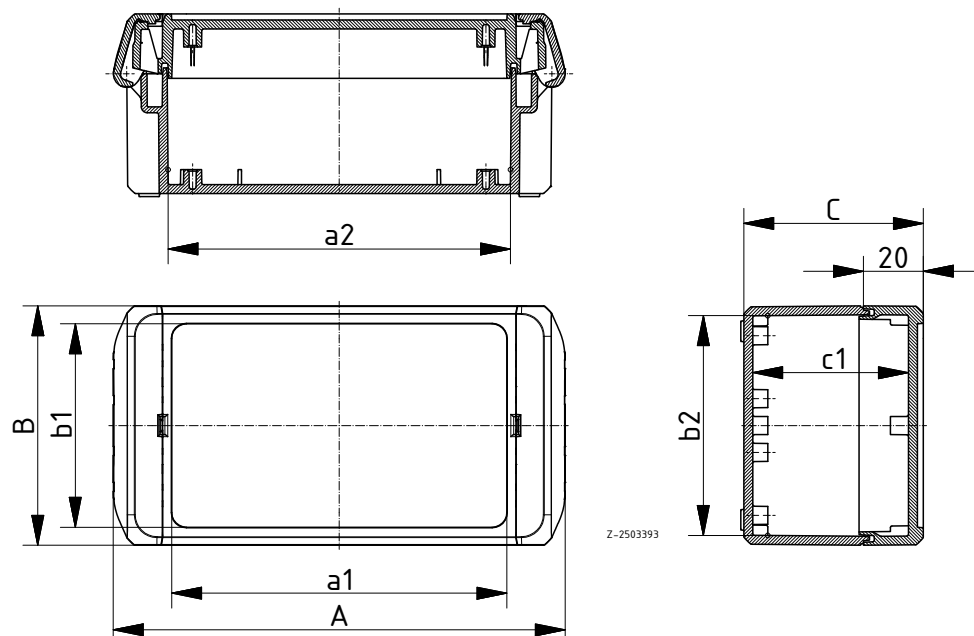
Bocube enclosures, ABS

Model	Order no.	A	B	C	a1	a2	b1	b2	c1	Color
B 080805 ABS 7024	96031114	89	80	47	50	52,6	68	73,6	40,5	Graphite gray
B 080805 ABS 7035	96031115	89	80	47	50	52,6	68	73,6	40,5	Light gray
B 100806 ABS 7024	96032124	113	80	60	74	76,4	68	73,4	52	Graphite gray
B 100806 ABS 7035	96032125	113	80	60	74	76,4	68	73,4	52	Light gray
B 100809 ABS 7024	96032134	113	80	90	74	75,9	68	72,9	82	Graphite gray
B 100809 ABS 7035	96032135	113	80	90	74	75,9	68	72,9	82	Light gray
B 140806 ABS 7024	96033124	151	80	60	112	114,4	68	73,4	52	Graphite gray
B 140806 ABS 7035	96033125	151	80	60	112	114,4	68	73,4	52	Light gray
B 140809 ABS 7024	96033134	151	80	90	112	113,9	68	72,9	82	Graphite gray
B 140809 ABS 7035	96033135	151	80	90	112	113,9	68	72,9	82	Light gray
B 141306 ABS 7024	96033224	151	125	60	112	114,4	113	118,4	52	Graphite gray
B 141306 ABS 7035	96033225	151	125	60	112	114,4	113	118,4	52	Light gray
B 141309 ABS 7024	96033234	151	125	90	112	113,9	113	117,9	82	Graphite gray
B 141309 ABS 7035	96033235	151	125	90	112	113,9	113	117,9	82	Light gray
B 221306 ABS 7024	96035224	231	125	60	192	194,4	113	118,4	52	Graphite gray
B 221306 ABS 7035	96035225	231	125	60	192	194,4	113	118,4	52	Light gray
B 221309 ABS 7024	96035234	231	125	90	192	194,1	113	117,9	82	Graphite gray
B 221309 ABS 7035	96035235	231	125	90	192	194,1	113	117,9	82	Light gray
B 261706 ABS 7024	96036324	271	170	60	232	234,4	158	163,4	51,5	Graphite gray
B 261706 ABS 7035	96036325	271	170	60	232	234,4	158	163,4	51,5	Light gray
B 261709 ABS 7024	96036334	271	170	90	232	234,1	158	163,1	81,5	Graphite gray
B 261709 ABS 7035	96036335	271	170	90	232	234,1	158	163,1	81,5	Light gray

Scope of delivery: Lid and base, hinged quick-release catches

Note: Material shrinkage may result in ABS enclosures being approx. 0.1 – 0.25 % larger.

For accessories, see following pages.



Bocube accessories

Hinged quick-release catches, polycarbonate UL 94 V0 or ABS

Model	Order no.	Color	Note
B SC 08 PC-V0 1023	96310103	Traffic yellow	For B 080805, 10080., 14080.
B SC 08 ABS 1023	96330103	Traffic yellow	For B 080805, 10080., 14080.
B SC 08 PC-V0 7035	96310105	Light gray	For B 080805, 10080., 14080.
B SC 08 ABS 7035	96330105	Light gray	For B 080805, 10080., 14080.
B SC 08 PC-V0 7024	96310104	Graphite gray	For B 080805, 10080., 14080.
B SC 08 ABS 7024	96330104	Graphite gray	For B 080805, 10080., 14080.
B SC 08 PC-V0 6029	96310109	Mint green	For B 080805, 10080., 14080.
B SC 08 ABS 6029	96330109	Mint green	For B 080805, 10080., 14080.
B SC 08 PC-V0 5002	96310102	Ultramarine blue	For B 080805, 10080., 14080.
B SC 08 ABS 5002	96330102	Ultramarine blue	For B 080805, 10080., 14080.
B SC 08 PC-V0 3000	96310100	Flame red	For B 080805, 10080., 14080.
B SC 08 ABS 3000	96330100	Flame red	For B 080805, 10080., 14080.
B SC 13 PC-V0 1023	96310203	Traffic yellow	For B 14130., 2213.
B SC 13 ABS 1023	96330203	Traffic yellow	For B 14130., 2213.
B SC 13 PC-V0 7035	96310205	Light gray	For B 14130., 2213.
B SC 13 ABS 7035	96330205	Light gray	For B 14130., 2213.
B SC 13 PC-V0 7024	96310204	Graphite gray	For B 14130., 2213.
B SC 13 ABS 7024	96330204	Graphite gray	For B 14130., 2213.
B SC 13 PC-V0 6029	96310209	Mint green	For B 14130., 2213.
B SC 13 ABS 6029	96330209	Mint green	For B 14130., 2213.
B SC 13 PC-V0 5002	96310202	Ultramarine blue	For B 14130., 2213.
B SC 13 ABS 5002	96330202	Ultramarine blue	For B 14130., 2213.
B SC 13 PC-V0 3000	96310200	Flame red	For B 14130., 2213.
B SC 13 ABS 3000	96330200	Flame red	For B 14130., 2213.
B SC 17 PC-V0 1023	96310303	Traffic yellow	For B 26170.
B SC 17 ABS 1023	96330303	Traffic yellow	For B 26170.
B SC 17 PC-V0 7035	96310305	Light gray	For B 26170.
B SC 17 ABS 7035	96330305	Light gray	For B 26170.
B SC 17 PC-V0 7024	96310304	Graphite gray	For B 26170.
B SC 17 ABS 7024	96330304	Graphite gray	For B 26170.
B SC 17 PC-V0 6029	96310309	Mint green	For B 26170.
B SC 17 ABS 6029	96330309	Mint green	For B 26170.
B SC 17 PC-V0 5002	96310302	Ultramarine blue	For B 26170.
B SC 17 ABS 5002	96330302	Ultramarine blue	For B 26170.
B SC 17 PC-V0 3000	96310300	Flame red	For B 26170.
B SC 17 ABS 3000	96330300	Flame red	For B 26170.

Scope of delivery: 1 set = 2 pieces



Wall brackets

Model	Order no.	Color
B WL 7024	96510004	Graphite gray
B WL 7035	96510005	Light gray

Scope of delivery: 4 wall brackets (polycarbonate UL 94 V0), 4 screws



Bocube accessories



Mounting panels, laminated paper, 2 mm

Model	Order no.	Note
B M 0808	96601100	For B 080805
B M 1008	96602100	For B 10080.
B M 1408	96603100	For B 14080.
B M 1413	96603200	For B 14130.
B M 2213	96605200	For B 22130.
B M 2617	96606300	For B 26170.

Scope of delivery: 1 mounting panel

Note: Please order fixing screws order no. 96600000 (for B 08...) and order no. 96600010 (for B 10..., B 14..., B 22... and B 26...) separately.

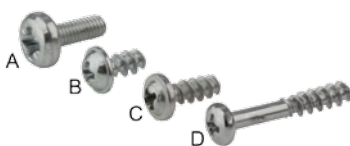


Front panels, natural-colored anodized aluminum

Model	Order no.	Note
B FP 1008	96702100	For B 10080., front panel thickness 1.5 mm
B FP 1408	96703100	For B 14080., front panel thickness 1.5 mm
B FP 1413	96703200	For B 14130., front panel thickness 1.5 mm
B FP 2213	96705200	For B 22130., front panel thickness 2.0 mm
B FP 2617	96706300	For B 26170., front panel thickness 2.5 mm

Scope of delivery: 1 front panel

Note: Please order fixing screws order no. 96700000 and distance bolts separately.



Sets of screws

Model	Order no.	Note
B FP-SHR	96700000	A (for fixing front panels)
B M-SHR 0808	96600000	B (for fixing mounting panels B M 0808)
B M-SHR	96600010	C (for fixing mounting panels B M 1008-2617)
B SHR	96300000	D (for optional screwing of enclosures)

Scope of delivery: PU = 4 pcs. (exception: B M-SHR 0808, PU = 2 pcs)

Distance bolts

Model	Order no.	Note
DIBLZ AK 30x5/IM3/28	96728000	ND = 2.4-2.6, for B6
DIBLZ AK 30x7/IM3/26	96726000	ND = 2.4-2.6, for B6 if a mounting plate is used
DIBLZ AK 30x5/IM3/58	96758000	ND = 2.4-2.6, for B9
DIBLZ AK 30x7/IM3/56	96756000	ND = 2.4-2.6, for B9 if a mounting plate is used

Scope of delivery: PU = 4 pieces

Note: ND = boss internal diameter



Bocube accessories

Blanking plugs to determine the hinge side

Model	Order no.	Color
B VS 7024	96410004	Graphite gray

Scope of delivery: Blanking plugs (PC UL 94 V0), PU = 10 pieces

Note: When fitted, the blanking plug is almost invisible.



DIN rails DIN EN 60715 TH 15

Model	Order no.	Note
TS 15	22150701	For B 10080.
TS 15	22151101	For B 14080. and B 14130.
TS 15	22151901	For B 22130.
TS 15	22152301	For B 26170.

Scope of delivery: 1 DIN rail



DIN rails DIN EN 60715 G 32

Model	Order no.	Note
TS 32	22320701	For B 10080.
TS 32	22321101	For B 14080. and B 14130.
TS 32	22321901	For B 22130.
TS 32	22322301	For B 26170.

Scope of delivery: 1 DIN rail



DIN rails DIN EN 60715 TH 35

Model	Order no.	Note
TS 35	22350701	For B 10080.
TS 35	22351101	For B 14080. and B 14130.
TS 35	22351901	For B 22130.
TS 35	22352301	For B 26170.

Scope of delivery: 1 DIN rail



Bopla Enclosures | 7330 Executive Way | Frederick, MD 21704
Tel: (301) 696-9800 | Fax: (301) 696-9494
RBinfo@PM-USA.com | www.Rose-Bopla.com



A Phoenix Mecano Company

Mat. no. 88112203 2012/10



X-ON Electronics

Largest Supplier of Electrical and Electronic Components

Click to view similar products for [bopla](#) manufacturer:

Other Similar products are found below :

[62240000](#) [82400124](#) [82600124](#) [82703124](#) [94242200.MT1](#) [96033125](#) [96036335](#) [ATPH1850-100 MT6](#) [ATPH1850-250 MT1](#) [ATPH1865-250 MT6](#) [94122150.MT2](#) [34501000](#) [34700000](#) [34751000](#) [34910002](#) [ATPH1850-200 MT6](#) [ATPH1865-200 MT6](#) [46400000](#) [46300000](#) [46600000](#) [1124000](#) [1123000](#) [62221000](#) [82200124](#) [82600135](#) [82700124](#) [02244000](#) [B 080805 ABS GRAPHITE GREY](#) [B 140806 ABS GRAPHITE GREY](#) [ATPH 1850-150 EG1240P](#) [B 140806 ABS LIGHT GREY](#) [B 261706 PC-V0-G GRAPHITE GREY](#) [82200135](#) [T890](#) [02208000](#) [02250000](#) [94122150](#) [41250109](#) [01123000](#) [01104000](#) [92800200](#) [BOP 500 BE4MC-9005](#) [BOP 500 BE4MC-9016](#) [BOP 7.0-9016](#) [BOP 700 BE4MN-9016](#) [BOP 900-9016](#) [BOP 900 BE4MN-9005](#) [BOP 900 BE4MN-9016](#) [ABP 1600-200](#)