

# BMA145

## Triaxial, analog acceleration sensor

### Data sheet

Bosch Sensortec



**BOSCH**

Invented for life



#### **BMA145 Data sheet**

Device order code 0 273 141 027

Package type 16-pin LGA

Data sheet revision 1.3

Release date 11 February 2010


Document number BST-BMA145-DS000-03

Notes

Specifications are subject to change without notice.

Product photos and pictures are for illustration purposes only and may differ from the real product's appearance.

**Proprietary information – not intended for publication.**

 <b>BOSCH</b>	BMA145 Data sheet	Bosch Sensortec
--	----------------------	-----------------

## BMA145 – triaxial, analog $\pm 4g$ analog accelerometer


### Key features

- Triaxial,  $\pm 4g$  full scale accelerometer
- Standard LGA package with 4mm x 4mm footprint, 0.9mm height
- 2 operation modes: Stand-by- and normal mode
- Ultra-low power consumption:
  - 200 $\mu$ A in operation mode
  - 0.7 $\mu$ A in stand-by mode
- Only 1 msec. turn-on time form stand-by mode to operation mode
- Analog output signals: 3 parallel (X, Y, Z) plus 1 serial (multiplexed X, Y, Z)
- Internal 1.5kHz 1<sup>st</sup>-order low-pass analog filter
- Customizable corner frequency
- On-chip gain and offset compensation, calibrated on factory level.
- Trigger-able self-test capability of MEMS sensor element and ASIC
- RoHS compliant, halogen-free
- Based on automotive-proven Bosch MEMS wafer-fabrication technology & processes

### Typical applications

Tilt, motion and vibration sensing in

- Gaming
- Virtual reality
- Sports- and life style wear
- Cell-phones
- Handhelds, PDAs, PNDs
- Healthcare
- Patient monitoring
- Navigation
- Electronic compass compensation
- Computer peripherals
- Man-machine interfaces

 <b>BOSCH</b>	BMA145 Data sheet	Bosch Sensortec
--	----------------------	-----------------

## THE BMA145 IN GENERAL

The BMA145 is a triaxial low-g acceleration sensor for consumer market applications, available in a standard SMD LGA package with a footprint of 4mm x 4mm and a height of only 0.9mm. It allows measurements of static as well as dynamic accelerations. Due to its three perpendicular axes it gives the absolute orientation in a gravity field and enables free-fall detection. As all other Bosch inertial sensors, the BMA145 is a two-chip arrangement, which combines an application-specific integrated circuit (ASIC) with a three-channel silicon accelerometer, to form a true micro electro mechanical system (MEMS).

The ASIC evaluates the output of the acceleration-sensing element, corresponding to the differential capacitance principle. The underlying MEMS technology processes have proven their capability according to the strictest automotive standards in more than 100 million Bosch inertial sensors a year so far.

The BMA145 provides 3 parallel analog output signals in a  $\pm 4g$  acceleration range. All acceleration signals are permanently available on 3 independent analog pads through 33k $\Omega$  resistors on each pad. This allows the user defining the signal bandwidth by the mean of external capacitors connected between each channel output and ground. Additional to the parallel X, Y and Z output signals there is the option to multiplex any axis to 1 supplementary output pin in a freely customized manner. This allows the user to connect the triaxial BMA145 to an economical single channel AD converter without loss of axis information.

For each axis, an independent analog 1.5 kHz 1<sup>st</sup>-order low-pass filter is included to provide preconditioning of the measured acceleration signal. The corner frequency of this filter can easily be customized. Additional signal preconditioning steps are performed by a digital to analog converter for offset and gain correction purposes with a subsequent signal amplification. The output signals are ratiometric. In the  $\pm 4g$  acceleration range the sensor is offering a sensitivity of 300mV/g at 3.0 V supply voltage ( $V_{DD} / 10$ ) and 175 $\mu g/\sqrt{Hz}$  as a typical noise level.

The typical current consumption is 200 $\mu A$  in operation mode. Furthermore, the sensor can be switched into a standby mode via supplementary selection pins. In standby mode the sensor module features an ultra low current consumption of typically 0.7  $\mu A$ . The return from standby mode to full performance conditions is performed in less than 1ms wake up time.

The BMA145 sensor module is ready to use due to test and calibration at factory level. All calibration parameters, e.g. for offset and sensitivity, are stored in an internal EEPROM. The sensor also features full self-test capability for all three axes. It is activated via a single self test activation pin which results in a physical deflection of the seismic mass in the sensing element due to electrostatic forces. Thus, it provides full contact and functional testing of the complete signal evaluation path including the MEMS acceleration-sensing element and the evaluation ASIC.

## CONTENT

<b>1</b>	<b>SPECIFICATION.....</b>	<b>6</b>
<b>2</b>	<b>ABSOLUTE MAXIMUM RATINGS.....</b>	<b>8</b>
<b>3</b>	<b>BMA145 FEATURES.....</b>	<b>9</b>
3.1	GENERAL DESCRIPTION.....	9
3.1.1	<i>MEMS element</i> .....	9
3.1.2	<i>ASIC</i> .....	9
3.2	CHANNEL MULTIPLEXER.....	10
<b>4</b>	<b>OPERATION .....</b>	<b>11</b>
4.1	POWER-ON-RESET AND POWER-UP SEQUENCE.....	11
4.2	OPERATION MODE SELECTION.....	11
4.3	CHANNEL MULTIPLEXER OUTPUT SELECTION .....	11
4.4	ANALOG OUTPUT ON AX, AY AND AZ.....	12
4.5	SELF TEST.....	12
4.6	POLARITY OF THE ACCELERATION OUTPUT .....	14
4.7	PIN CONFIGURATION (TOP VIEW, PADS NOT VISIBLE).....	15
4.8	CONNECTING DIAGRAM.....	16
4.8.1	<i>Full feature operation</i> .....	16
4.8.2	<i>Simple 3-channel operation</i> .....	16
4.8.3	<i>Customizing bandwidth and noise</i> .....	17
4.9	HANDLING INSTRUCTION .....	17
<b>5</b>	<b>PACKAGE .....</b>	<b>18</b>
5.1	OUTLINE DIMENSIONS.....	18
5.2	PRINTED CIRCUIT BOARD (PCB) DESIGN .....	19
5.3	MARKING .....	20
5.3.1	<i>Mass production samples</i> .....	20
5.3.2	<i>Engineering samples</i> .....	20
5.4	MOISTURE SENSITIVITY LEVEL AND SOLDERING.....	21
5.5	TAPE AND REEL SPECIFICATION.....	22
5.5.1	<i>Orientation</i> .....	23
5.6	ROHS COMPLIANCY .....	24
5.7	HALOGEN CONTENT .....	24
5.8	NOTE ON INTERNAL PACKAGE STRUCTURE .....	24


**6 LEGAL DISCLAIMER..... 25**

6.1 ENGINEERING SAMPLES..... 25

6.2 PRODUCT USE ..... 25

6.3 APPLICATION EXAMPLES AND HINTS ..... 25

**7 DOCUMENT HISTORY AND MODIFICATION ..... 26**

 <b>BOSCH</b>	BMA145 Data sheet	Bosch Sensortec
--	----------------------	-----------------

## 1 Specification

If not stated otherwise, the given values are maximum values over lifetime and are valid for the specified temperature and voltage ranges. Min./max. values represent 3-sigma limits.

### Operating range

Parameter	Symbol	Condition	Min	Typ	Max	Units
Acceleration range	$g_{FS4g}$	$\pm 4g$		$\pm 4$		g
Supply voltage	$V_{DD}$		1.8	3.0	3.5	V
Digital input low level	VIL	for TEST, ST, SEL.0 and SEL.1			$0.2 * V_{DD}$	V
Digital input high level	VIH	for TEST, ST, SEL.0 and SEL.1	$0.8 * V_{DD}$			V
Supply current in normal mode	$I_{DD}$	analog and digital		200	290	$\mu A$
Supply current in stand-by mode	$I_{DDsbm}$	analog and digital		0.7		$\mu A$
Operating temperature	$T_A$	full performance	-40		+85	$^{\circ}C$

### Output signal

Unless stated otherwise output signals are for operation at  $\pm 4g$  range,  $V_{DD} = 3.0 V$  and  $T = 25^{\circ}C$

Parameter	Symbol	Condition	Min	Typ	Max	Units
Zero-g voltage	Off	$V_{DD} = 3.0V$	1.455	1.500	1.545	V
			-150	0	+150	mg
		$1.8V \leq V_{DD} \leq 3.5V$		$V_{DD} / 2$		V
Zero-g voltage temperature drift	TCO	$-40^{\circ}C \leq T_A \leq +85^{\circ}C$		$\pm 1$		mg/K
Sensitivity	S	$V_{DD} = 3.0V$	0.288	0.300	0.312	V/g
		$1.8V \leq V_{DD} \leq 3.5V$	-4%	$V_{DD} / 10$	+4%	
Bandwidth 1 <sup>st</sup> order filter	$f_{-3dB}$	with 1nF connected to Ax, Ay, Az		1.500		kHz
Non-linearity	NL	best fit straight line		$\pm 0.5$		%FS
Self test response	TST	triggerable via ST pin		0.25 (x,y) 0.5 (z)		g
Output noise	$n_{rms}$	rms		175		$\mu g / \sqrt{Hz}$

### Sensor performance and operating conditions

Parameter	Symbol	Condition	Min	Typ	Max	Units
Start-Up time <sup>1</sup>	$T_{st\_up}$	with 1nF connected to Ax, Ay, Az		3		ms
Wake-Up time <sup>2</sup>	$T_{w\_up}$	with 1nF connected to Ax, Ay, Az		1		ms
Output resistance	$R_x, R_y, R_z$	On chip		33		k $\Omega$
Pull-down resistance	$R_{pulldown}$	on ST and TEST pad		20		k $\Omega$
Maximal load on AMUX	$C_L$				25	pF

### Mechanical trait

Parameter	Symbol	Condition	Min	Typ	Max	Units
Cross axis sensitivity	$\bar{S}$	relative contribution between 3 axes		0.2		FS%
Alignment error	$\delta_a$	relative to package outline		$\pm 0.5$		°


<sup>1</sup> The start-up time is the total duration between application of the voltage supply and obtaining analog signals on the three channels with less than 1% (of full scale) error between signal and respective asymptotic values.

<sup>2</sup> The wake-up time is the total duration between transiting from stand-by to normal mode and obtaining analog signals on the three channels with less than 1% (of full scale) error between signal and respective asymptotic values.

## 2 Absolute maximum ratings

Parameter	Condition / Symbol	Min	Max	Units
Extended supply voltage	$V_{DD\_ext}$ 0°C to 85°C	1.72	3.55	V
Supply voltage limit	$V_{DD\_Limit}$	-0.3	3.60	V
Pad voltage	$V_{pad}$	$V_{ss}-0.3$	$V_{dd}+0.3$	V
Storage temperature	$T_{store}$	-50	+150	°C
Mechanical shock	duration $\leq 100\mu s$		10,000	g
	duration $\leq 500\mu s$		5,000	g
	duration $\leq 1.0ms$		3,000	g
	free fall onto hard surfaces		1.5	m
ESD	HBM		2.0	kV
	CDM		500	V



 <b>BOSCH</b>	BMA145 Data sheet	Bosch Sensortec
--	----------------------	-----------------

### 3 BMA145 features

#### 3.1 General description

The BMA145 is a fully calibrated, triaxial low-g analog acceleration sensor. It allows measurements of static as well as dynamic accelerations in all three dimensions. Due to its three perpendicular axes it gives the absolute orientation in a gravity field and enables free-fall detection. The sensor is set up as a two-chip arrangement consisting of a three-channel capacity differential MEMS acceleration-sensing element and an application specific integrated circuit (ASIC). Both parts are embedded in a standard, surface mountable land grid array package (LGA). In the following, the LGA packed two-chip arrangement is defined as sensor module.

The accelerometer features a low-pass characteristic, with a bandwidth limited to 1.5 kHz (nominal value). This value can further be reduced using external capacitors to improve or customize noise level. It is advised to reduce bandwidth to minimum value required in the application.


The bandwidth of all output pins can be selected by the value of the capacitors connected to the Ax, Ay and Az output. Each channel behaves like an independent low-pass RC filter, given by the internal 33kΩ resistor and the external capacitor. The resulting RC low pass filter on Ax, Ay and Az is also valid for the multiplexer output pin. Do not connect an additional external capacitor on the multiplexer output pin. Refer to chapter 4.8 for details.

##### 3.1.1 MEMS element

The production of the sensing element is based on standard semiconductor- and standard MEMS processes. The main steps are layer deposition, layer masking and layer structuring in a technology cycle, similar to the standard semiconductor manufacturing. In detail, the process cycle starts with the deposition of a thick epitaxial layer on a sacrificial oxide. The large thickness allows the design of working capacitances of up to 1pF. The poly-layer is patterned by deep reactive ion etching in an inductively coupled plasma (DRIE-ICP, the so-called Bosch process). A large aspect ratio and a very high anisotropy is achieved by periodic passivation of the side walls in between the etch intervals. Afterwards the sacrificial layer is removed. The sensing element is hermetically sealed by a bulk micromachined cap to prevent damages of the structure by dicing, packaging and operation of the device.

##### 3.1.2 ASIC

The ASIC is produced in a standard CMOS process. It evaluates, corrects and amplifies the output signal of the MEMS acceleration-sensing element. Simplified considered, the ASIC consists mainly out of 3 capacity voltage converters and 3 signal conditioners, a channel multiplexer, a digital to analog converter an EEPROM memory and an internal RC oscillator. For customized testing an electrostatic force to the sensor electrodes can be induced and compared with a nominal condition. Thus, a general statement about the functional capability of the sensor module can be made at any time.

 <b>BOSCH</b>	BMA145 Data sheet	Bosch Sensortec
--	----------------------	-----------------

### 3.2 Channel multiplexer

On the Ax, Ay, and Az output pin there is always the possibility to grip the continuous analog output signals of the corresponding axis. Additional to these continuously available signals, there is the possibility to multiplex any of the 3 axis fully customized to one separate AMUX output pin via an internal channel multiplexer. This e.g. enables the option to read out all three axes at only one output pin.

Which of the acceleration signal of the 3 axis is actually multiplexed to the AMUX output pin – or in which sequence – can be selected through the corresponding SEL.0 and SEL.1 pins of the sensor module (see chapter 4.3). Do not connect any external capacitor on the AMUX output pin.

## 4 Operation

### 4.1 Power-on-reset and power-up sequence

An internal power-on reset (POR) is implemented to ensure proper reset during power-up. The POR is active during 100µs (typical value). For this application the power on sequence only occurs when a battery or an external supply is connected to VDD. Normally GND is connected first. There should be a coupling capacitor connected between VDD and GND as shown in chapter 4.8. Low resistance connections are required between decoupling capacitor and sensor pads (< 100Ohms).

### 4.2 Operation mode selection

Two operation modes can be selected: NORMAL and STAND-BY mode. The operation modes are selected by setting SEL1 and SEL0 according to the table given below.

SEL.1	SEL.0	Operation Mode	Operation feature	Current Consumption	Description
0	0	NORMAL	full performance	200 µA (typical)	Acceleration measurements of all axes (Ax, Ay, Az plus AMUX) are performed. All sensor features are enabled.
0	1				
1	0				
1	1	STAND-BY	current saving	0,7 µA (typical)	Acceleration measurements are stopped, Ax, Ay, Az and AMUX signals are driven to GND through 110kΩ resistors.

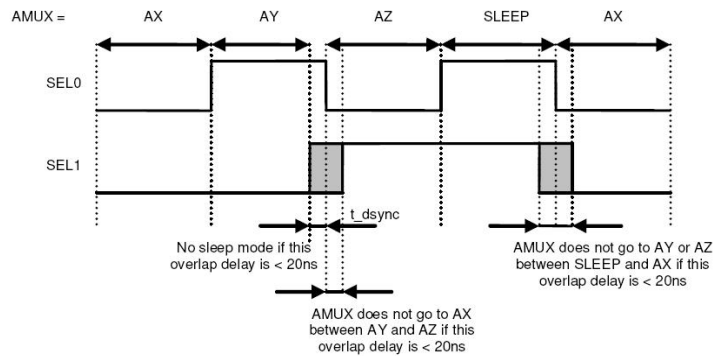
When stand-by mode is activated, all sensor electrodes are connected to Vss. No electrostatic forces are generated to the electrodes. Power consumption is drastically reduced in this mode. All blocks are disabled except some bias generation and power-on reset generation. This feature enables ultra low power mode operation if the sensor module is turned into Standby mode e.g. between each acceleration measurement.

### 4.3 Channel multiplexer output selection

Using the Channel Multiplexer, it is possible to choose specific axis output signals on the AMUX pin. This allows the user to connect the triaxial BMA145 to an economical single channel AD converter without loss of axis information. The channel selection on AMUX is performed by setting SEL.0 and SEL.1 according to the following table. By setting both, SEL.0 and SEL.1 to 1, the sensor module is set to stand-by Mode.

SEL.1	SEL.0	Operation Mode	Output Signal on Channel Multiplexer Serial Output Pin (AMUX)
0	0	NORMAL	Ax, Ay, Az plus AMUX = Ax
0	1	NORMAL	Ax, Ay, Az plus AMUX = Ay
1	0	NORMAL	Ax, Ay, Az plus AMUX = Az
1	1	STAND-BY	Sensor module set to Standby Mode, no Signal on X, Y, Z and AMUX

**IMPORTANT NOTE:** If the features described in 4.2 and 4.3 will not be used, SEL.0 and SEL.1 must be tied to GND. In all other cases, SEL.0 and SEL.1 transitions must be synchronous within a 20ns tolerance to avoid the ASIC to switch to an unwanted state at transitions (valid for the four possible transitions where the two signals SEL.0 and SEL.1 have to change simultaneously). See also the figure given below.



#### 4.4 Analog output on Ax, Ay and Az

By selecting the operation mode to “Normal” all 3 axis provide acceleration measurement signals simultaneously on the Ax, Ay and Az pins according to the following equation.

$$A_x = \left( \frac{V_{DD}}{2} + S \cdot a_x \right) \quad A_y = \left( \frac{V_{DD}}{2} + S \cdot a_y \right) \quad A_z = \left( \frac{V_{DD}}{2} + S \cdot a_z \right)$$

Ax, Ay and Az are the vector components of the acting acceleration. According to chapter 1 the sensitivity in the  $\pm 4g$  range corresponds to  $V_{DD}/10$  given in V/g. This means, the maximal default acceleration range is  $\pm 4g$ .

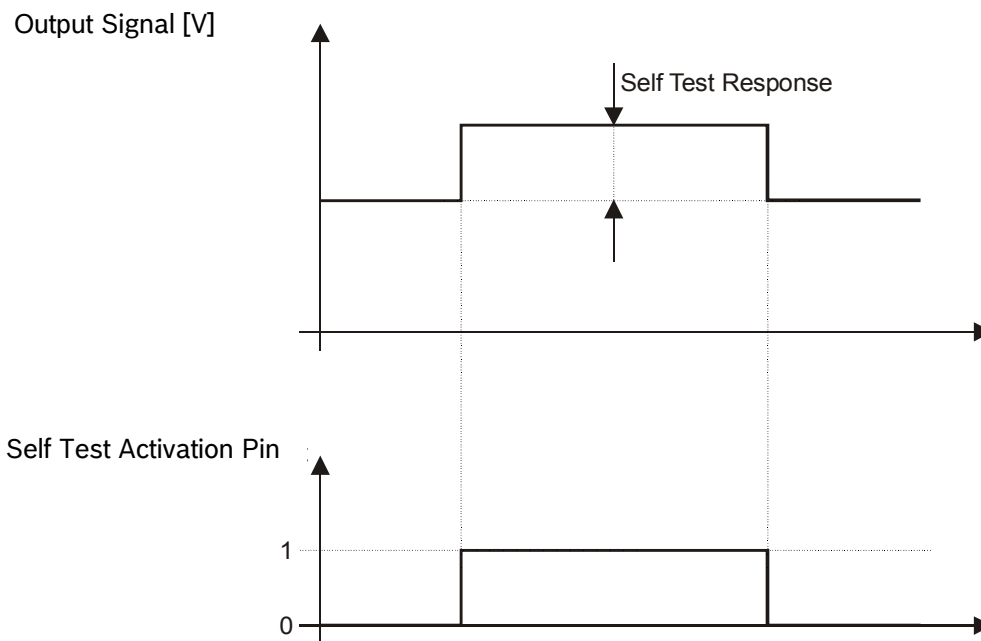
#### 4.5 Self test

The sensor features an on-chip self-test which can be activated by using the corresponding self test input pin. The self test is realized by a physical deflection of the seismic mass due to an electrostatic force. Thus, it provides contact and functional testing of the complete signal evaluation path including the MEMS acceleration-sensing element and the evaluation ASIC.

The self test is activated by setting the self test activation input pin to logic 1. The test acts on all three channels simultaneously. The typical change in output will be a static offset of

approximately +0.25g for X and Y and +0.5g for Z axis (nominal value). For the  $\pm 4g$  acceleration range this corresponds to a typical output signal delta of  $\Delta U_{out_{nom}} [v] = (V_{DD} [v] / 10) \times 0.25$  for X and Y and  $\Delta U_{out_{nom}} [v] = (V_{DD} [v] / 10) \times 0.5$  for Z, to be added as a static voltage offset to the current output signal Xout, Yout and Zout. The self test response remains as a static offset on the X, Y, Z and AMUX output as long as the self test activation input pin is not set back to logic 0.

Simplified, while the self test is activated, any acceleration or gravitational force applied to the sensor will be observed in the output signal as a superposition of both acceleration and self test signal.

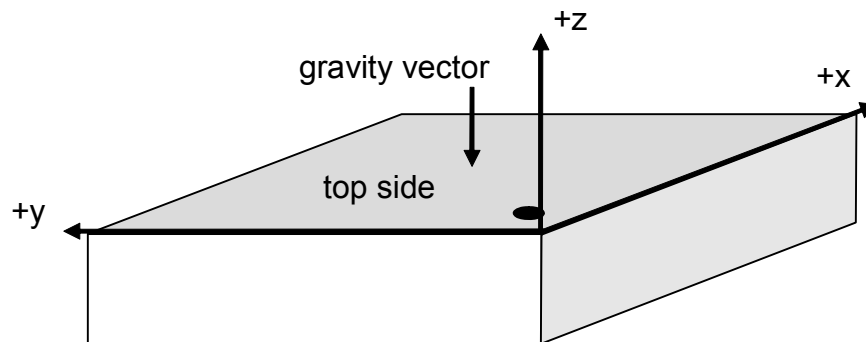


#### 4.6 Polarity of the acceleration output


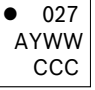
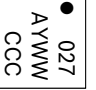
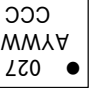


If the sensor is accelerated into the indicated directions, the corresponding channels will deliver a positive acceleration signal (dynamic acceleration).

Example: If the sensor is at rest or at uniform motion in a gravity field according to the figure given below, the output signals are:

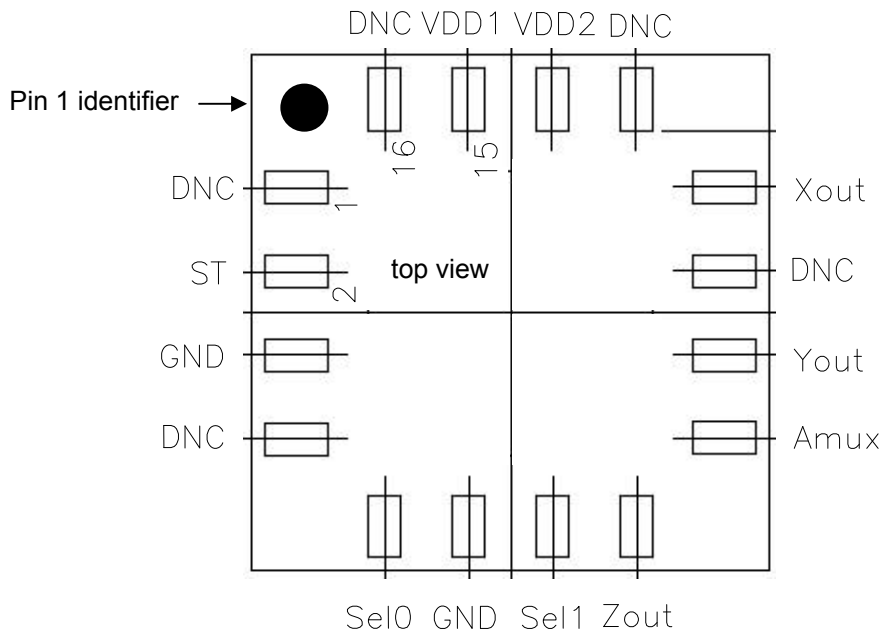
- $\pm 0g$  for the X channel
- $\pm 0g$  for the Y channel
- $+ 1g$  for the Z channel



The following table lists all corresponding output signals on Ax, Ay, and Az while the sensor is at rest or at uniform motion in a gravity field under assumption of a top down gravity vector as shown above.

Sensor orientation (gravity vector ↓)						
Output signal Ax	0g / 1.5V	-1g / 1.2V	0g / 1.5V	+1g / 1.8V	0g / 1.5V	0g / 1.5V
Output signal Ay	+1g / 1.8V	0g / 1.5V	-1g / 1.2V	0g / 1.5V	0g / 1.5V	0g / 1.5V
Output signal Az	0g / 1.5V	0g / 1.5V	0g / 1.5V	0g / 1.5V	+1g / 1.8V	-1g / 1.2V

#### 4.7 Pin configuration (top view, pads not visible)



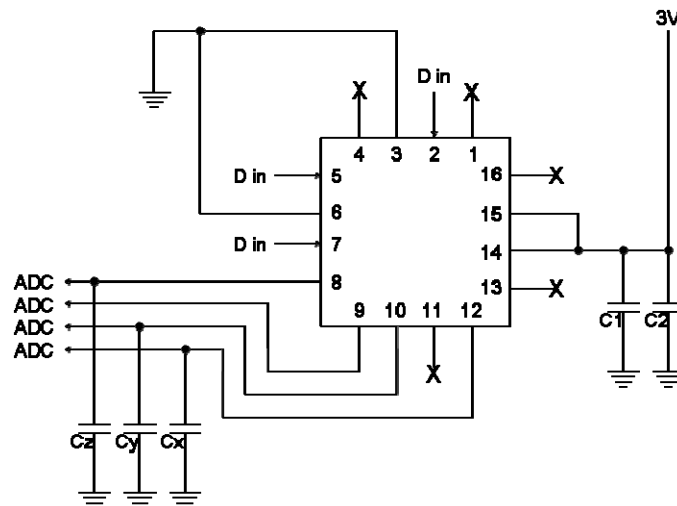
Pin	Name	Digital - Analog	Description
01	DNC	D in/out	Do not connect! Reserved for factory trimming!
02	ST	D in	Self Test Activation Pin
03	GND	A	Ground Connection
04	DNC	-	Do not connect!
05	SEL.0 <sup>1)</sup>	D in	Channel Multiplexer Selection Pin 0
06	GND	A	Ground Connection
07	SEL.1 <sup>1)</sup>	D in	Channel Multiplexer Selection Pin 1
08	Z.out	A out	Z Acceleration Parallel Output
09	AMUX	A out	Channel Multiplexer Serial Output Pin
10	Y.out	A out	Y Acceleration Parallel Output
11	DNC	-	Do not connect!
12	X.out	A out	X Acceleration Parallel Output
13	DNC	-	Do not connect!
14	VDD2	A in	Supply Voltage Connection
15	VDD1	A in	Supply Voltage Connection
16	DNC	-	Do not connect!

<sup>1)</sup> Connect to GND if stand-by mode and multiplexed outputs will not be used.

## 4.8 Connecting diagram

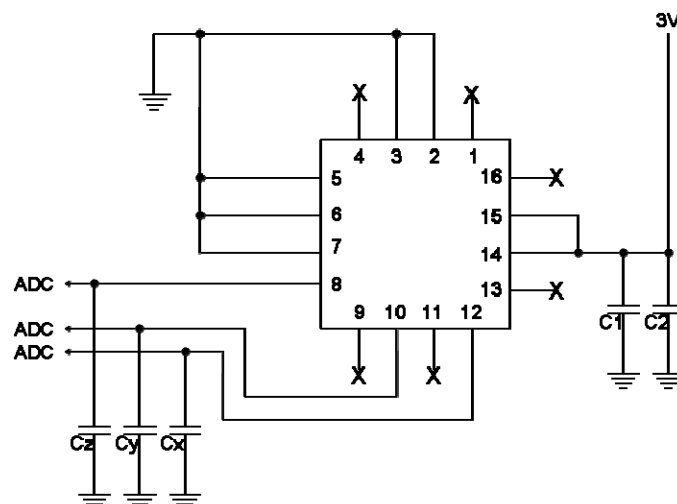
### 4.8.1 Full feature operation

The following connection diagram describes the recommended decoupling of the power source ( $c_1=100\text{nF}$  and  $c_2=10\text{nF}$ ) as well as the connection to enable full feature operation of the BMA145 including Stand-By, AMUX and Self Test capability. The DNC pins (marked with "X") must not be connected (floating). For dimensioning of  $C_x$ ,  $C_y$  and  $C_z$  refer to chapter 4.8.3.




### 4.8.2 Simple 3-channel operation

The below connection diagram describes the recommended decoupling of the power source ( $c_1=100\text{nF}$  and  $c_2=10\text{nF}$ ) as well as the connection to enable a simple 3 channel operation of the BMA145. Stand-By, AMUX and Self Test capability will be disabled. The DNC pins (marked with "X") must not be connected (floating). For dimensioning of  $C_x$ ,  $C_y$  and  $C_z$  refer to chapter 4.8.3.





 <b>BOSCH</b>	BMA145 Data sheet	Bosch Sensortec
--	----------------------	-----------------

### 4.8.3 Customizing bandwidth and noise

According to the following equation a customized cut-off frequency can be realized by a simple dimension of  $C_x$  ( $C_y$ ,  $C_z$ ) to create a RC low pass filter. The below given equation corresponds to the x-axis but it is also representative for the y- and z-axis. The AMUX cut-off frequency output behavior is directly linked up to  $C_x$ ,  $C_y$  &  $C_z$ . Do not connect an additional external capacitor on the multiplexer output pin.

$$f_{c-x} = \frac{1}{2\pi \cdot 33k\Omega \cdot c_x}$$

In order to achieve a good compromise between bandwidth and signal conditioning, we recommend to set up the bandwidth between ~300 . . . ~150Hz. To operate the BMA145 with the maximum bandwidth, which internally is limited to 1.5kHz, we recommend to use min. 1nF for  $C_x$ ,  $C_y$  &  $C_z$ .

### 4.9 Handling instruction

Micromechanical sensors are designed to sense acceleration with high accuracy even at low amplitudes and contain highly sensitive structures inside the sensor element. The MEMS sensor can tolerate mechanical shocks up to several thousand g's. However, these limits might be exceeded in conditions with extreme shock loads such as e.g. hammer blow on or next to the sensor, dropping of the sensor onto hard surfaces etc.

We strongly recommend to avoid g-forces beyond the specified limits (see section 2) during transport, handling and mounting of the sensors in a defined and qualified installation process.

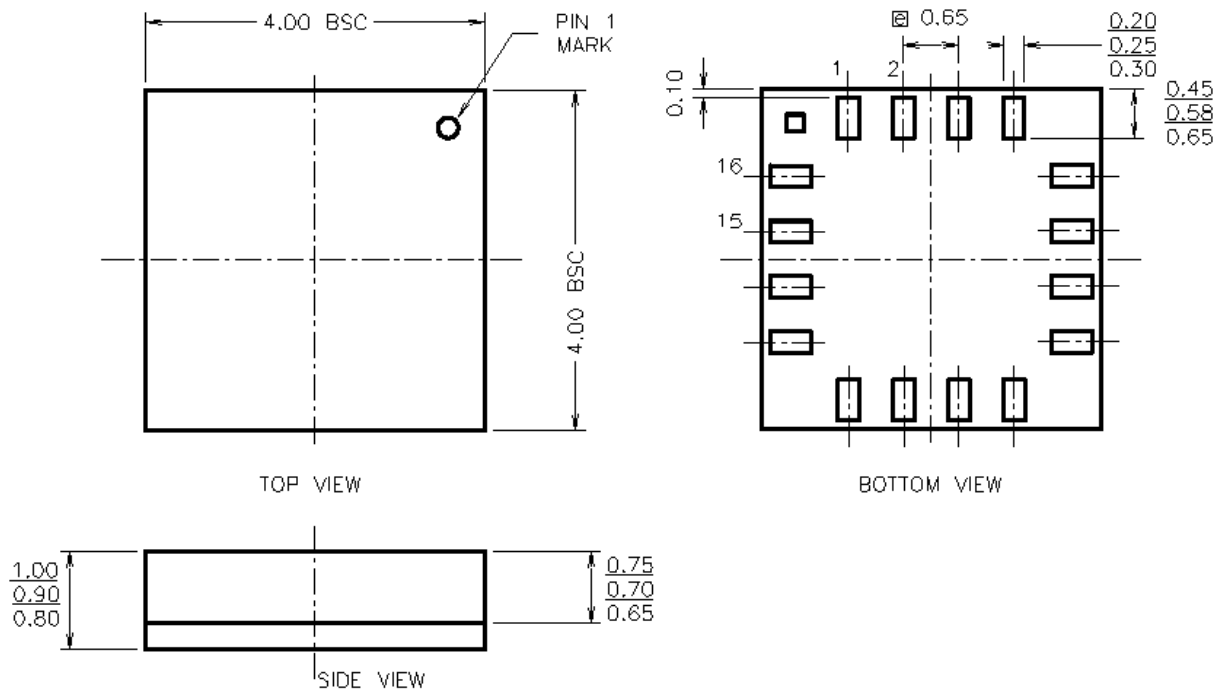
This device has built-in protections against high electrostatic discharges or electric fields (e.g. 2kV HBM); however, anti-static precautions should be taken as for any other CMOS component. Unless otherwise specified, proper operation can only occur when all terminal voltages are kept within the supply voltage range. Unused inputs must always be tied to a defined logic voltage level.

Please refer to the separately available document "Handling, soldering & mounting instructions" for the BMA145.

## 5 Package

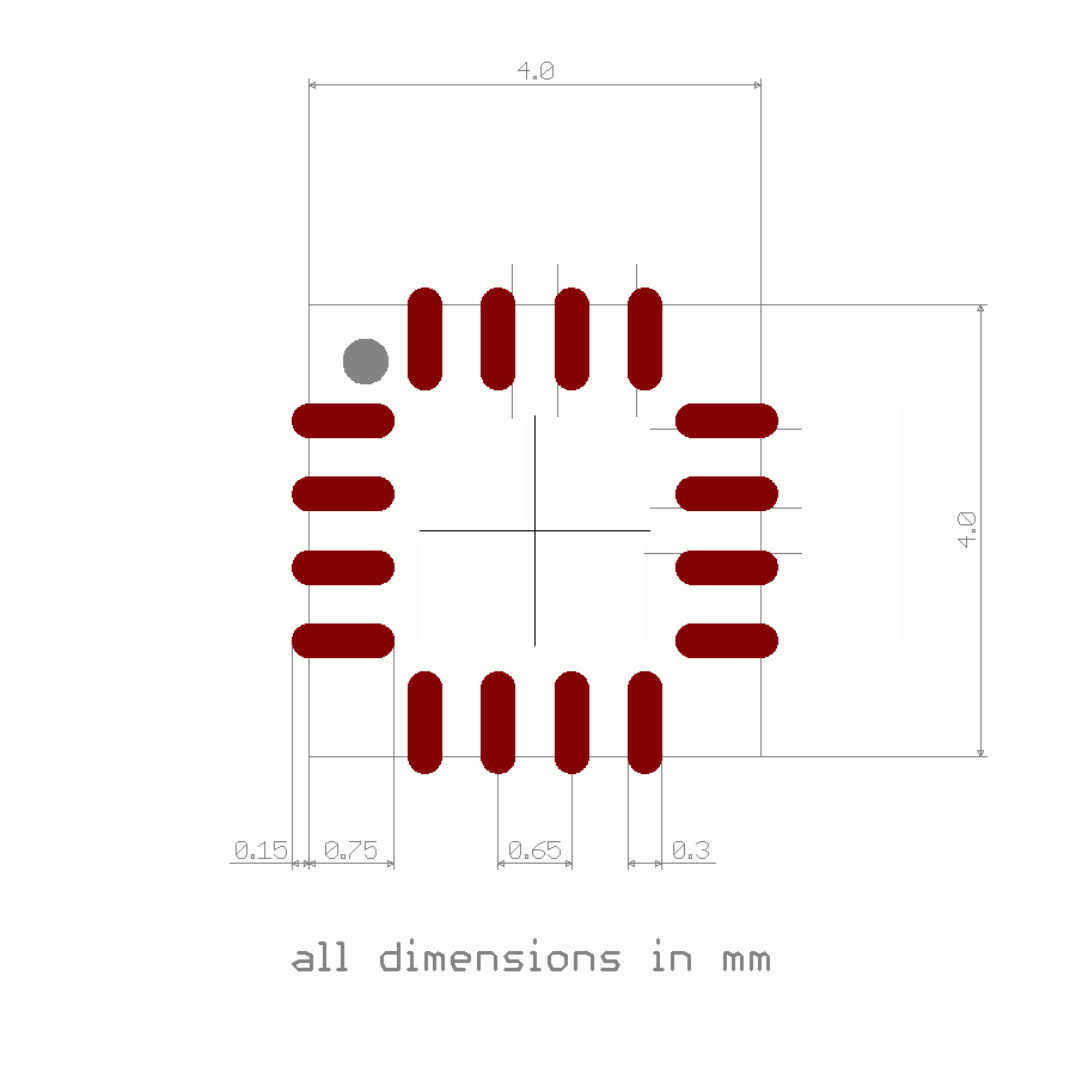
### 5.1 Outline dimensions


The sensor housing is a standard LGA package. It is compliant with JEDEC Standard MO-229 Type VGGD-3. Its dimensions are the following:



**5.2 Printed circuit board (PCB) design**


The following PCB design is recommended in order to minimize solder voids and stress acting on the sensing element. All dimensions are given in mm.




 <b>BOSCH</b>	<p style="text-align: center;">BMA145 Data sheet</p>	<p style="text-align: right;">Bosch Sensortec</p>
--	--	---

### 5.3 Marking

#### 5.3.1 Mass production samples

Labeling	Name	Symbol	Remark
<div style="border: 1px solid black; padding: 10px; width: fit-content;">  <p style="text-align: center; margin: 5px 0;">027</p> <p style="text-align: center; margin: 5px 0;">AYWW</p> <p style="text-align: center; margin: 5px 0;">CCC</p> </div>	Product number		
	Sub-con ID	A	Coded alphanumerical
	Date code 1	Y	Y: year, numerically coded 9 = 2009, 0 = 2010, 1 = 2011, ...
	Date code 2	WW	WW: working week, numerical
	Lot counter	CCC	
	Pin 1 identifier	•	

#### 5.3.2 Engineering samples

Labeling	Name	Symbol	Remark
<div style="border: 1px solid black; padding: 10px; width: fit-content;">  <p style="text-align: center; margin: 5px 0;">145e</p> <p style="text-align: center; margin: 5px 0;">AYWW</p> <p style="text-align: center; margin: 5px 0;">CCC</p> </div>	Product name	145	BMA145
	Eng. Sample ID	e	Engineering samples are marked with an “e”
	Sub-con ID	A	Coded alphanumerically
	Date code	YWW	Y: year, numerically coded 9 = 2009, 0 = 2010, 1 = 2011, ... WW: Working week, numerical
	Version counter	CCC	e.g. 0C1 = C1-Sample
	Pin 1 identifier	•	

### 5.4 Moisture sensitivity level and soldering

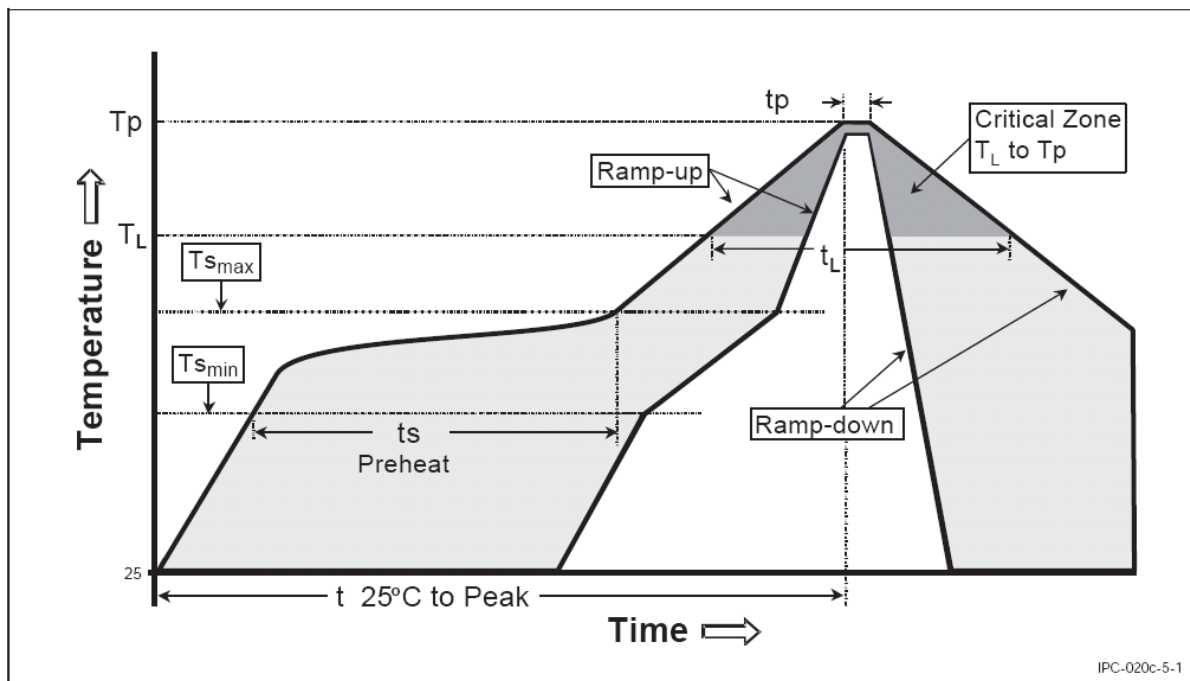
The moisture sensitivity level of the BMA145 sensors corresponds to JEDEC Level 1, see also

- IPC/JEDEC J-STD-020C "Joint Industry Standard: Moisture/Reflow Sensitivity Classification for non-hermetic Solid State Surface Mount Devices"
- IPC/JEDEC J-STD-033A "Joint Industry Standard: Handling, Packing, Shipping and Use of Moisture/Reflow Sensitive Surface Mount Devices".

The sensor fulfils the lead-free soldering requirements of the above-mentioned IPC/JEDEC standard, i.e. reflow soldering with a peak temperature up to 260°C.

Profile Feature	Pb-Free Assembly
Average Ramp-Up Rate (T <sub>Smax</sub> to T <sub>p</sub> )	3° C/second max.
<b>Preheat</b> - Temperature Min (T <sub>Smin</sub> ) - Temperature Max (T <sub>Smax</sub> ) - Time (t <sub>smin</sub> to t <sub>Smax</sub> )	150 °C 200 °C 60-180 seconds
Time maintained above: - Temperature (T <sub>L</sub> ) - Time (t <sub>L</sub> )	217 °C 60-150 seconds
Peak/Classification Temperature (T <sub>p</sub> )	260 °C
Time within 5 °C of actual Peak Temperature (t <sub>p</sub> )	20-40 seconds
Ramp-Down Rate	6 °C/second max.
Time 25 °C to Peak Temperature	8 minutes max.

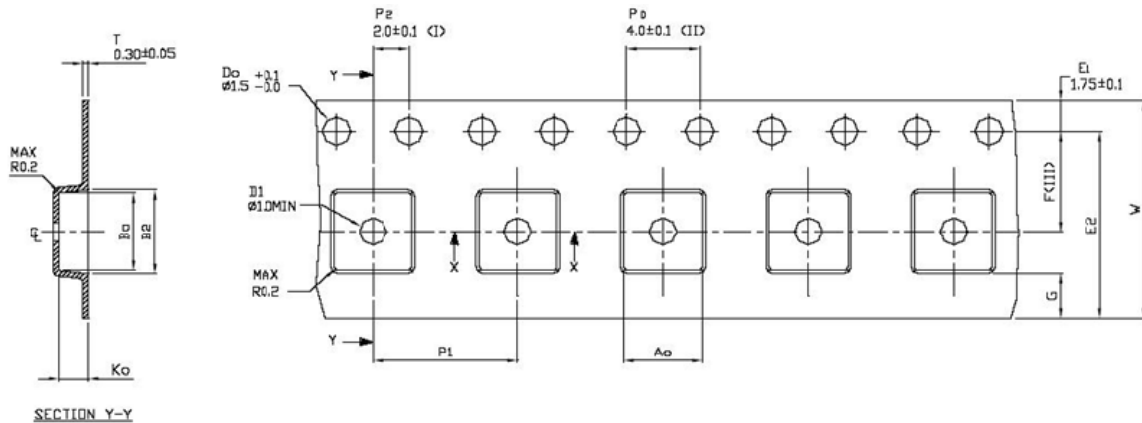
**Note 1:** All temperatures refer to topside of the package, measured on the package body surface.



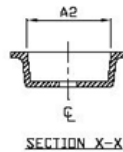
### 5.5 Tape and reel specification

The BMA145 is shipped in a standard cardboard box. The box dimension for 1 reel is:  
 L x W x H 35cm x 35cm x 6cm

BMA145 quantity: 5,000pcs per reel; please handle with care.



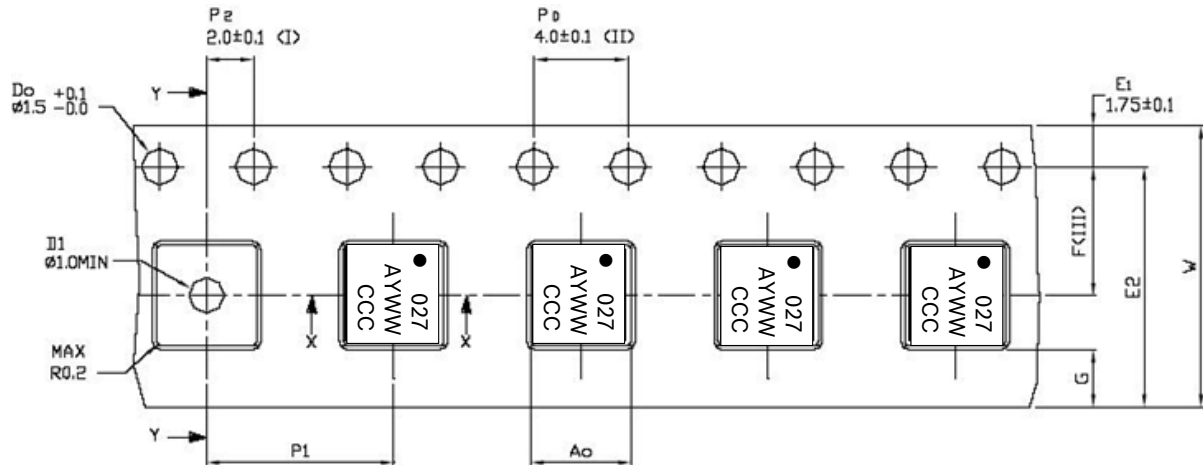
Ao	4.30	+/-0.1
Az	4.65	+/-0.1
Bo	4.30	+/-0.1
Bz	4.65	+/-0.1
Ko	1.60	+/-0.1
F	5.50	+/-0.1
P1	8.00	+/-0.1
Pz	10.25	+0.2/-0
G	0.75	min
W	12.00	+0.3/-0.1




- <I> Measured from centreline of sprocket hole to centreline of pocket.
- <II> Cumulative tolerance of 10 sprocket holes is ± 0.20.
- <III> Measured from centreline of sprocket hole to centreline of pocket.
- <IV> Other material available.

### 5.5.1 Orientation

The next figure shows the orientation of the BMA145 devices relative to the tape:



 <b>BOSCH</b>	BMA145 Data sheet	Bosch Sensortec
--	----------------------	-----------------

## 5.6 RoHS compliancy

The BMA145 sensor meets the requirements of the EC restriction of hazardous substances (RoHS) directive, see also:

Directive 2002/95/EC of the European Parliament and of the Council of 27 January 2003 on the restriction of the use of certain hazardous substances in electrical and electronic equipment.

## 5.7 Halogen content

Results of chemical analysis show that the BMA145 contains less than 900ppm (by weight) of Fluorine, Chlorine, Iodine and Bromine (i.e. <900ppm per each substance).

Therefore the BMA145 can be regarded as halogen-free.

For more details on the analysis results please contact your Bosch Sensortec representative.


## 5.8 Note on internal package structure

Within the scope of Bosch Sensortec's ambition to improve its products and secure the product supply while mass production, Bosch Sensortec qualifies additional sources for the LGA package of the BMA145.

While Bosch Sensortec took care that all of the technical packages parameters are described above are 100% identical for both sources, there can be differences in the chemical content and the internal structure between the different package sources.

However, as secured by the extensive product qualification process of Bosch Sensortec, this has no impact to the usage or to the quality of the BMA145 product.



 <b>BOSCH</b>	BMA145 Data sheet	Bosch Sensortec
--	----------------------	-----------------

## 6 Legal disclaimer

### 6.1 Engineering samples

Engineering Samples are marked with an asterisk (\*) or (e). Samples may vary from the valid technical specifications of the product series contained in this data sheet. They are therefore not intended or fit for resale to third parties or for use in end products. Their sole purpose is internal client testing. The testing of an engineering sample may in no way replace the testing of a product series. Bosch Sensortec assumes no liability for the use of engineering samples. The Purchaser shall indemnify Bosch Sensortec from all claims arising from the use of engineering samples.

### 6.2 Product use

Bosch Sensortec products are developed for the consumer goods industry. They may only be used within the parameters of this product data sheet. They are not fit for use in life-sustaining or security sensitive systems. Security sensitive systems are those for which a malfunction is expected to lead to bodily harm or significant property damage. In addition, they are not fit for use in products which interact with motor vehicle systems.


The resale and/or use of products are at the purchaser's own risk and his own responsibility. The examination of fitness for the intended use is the sole responsibility of the Purchaser.

The purchaser shall indemnify Bosch Sensortec from all third party claims arising from any product use not covered by the parameters of this product data sheet or not approved by Bosch Sensortec and reimburse Bosch Sensortec for all costs in connection with such claims.

The purchaser must monitor the market for the purchased products, particularly with regard to product safety, and inform Bosch Sensortec without delay of all security relevant incidents.

### 6.3 Application examples and hints

With respect to any examples or hints given herein, any typical values stated herein and/or any information regarding the application of the device, Bosch Sensortec hereby disclaims any and all warranties and liabilities of any kind, including without limitation warranties of non-infringement of intellectual property rights or copyrights of any third party. The information given in this document shall in no event be regarded as a guarantee of conditions or characteristics. They are provided for illustrative purposes only and no evaluation regarding infringement of intellectual property rights or copyrights or regarding functionality, performance or error has been made.

 <b>BOSCH</b>	<p style="text-align: center;">BMA145 Data sheet</p>	<p style="text-align: right;">Bosch Sensortec</p>
--	--	---

## 7 Document history and modification

Rev. No	Chapter	Description of modification/changes	Date
1.0		Document creation	04-Feb-2008
1.1	1	Update output signal table	02-Apr-2008
	2	Update maximum ratings table	02-Apr-2008
	4.6	Modified various output signal polarities in the table	02-Apr-2008
	5.4	Update JEDEC level to MSL1	02-Apr-2008
1.2	1	Update typ. self test response to 0.7g	06 February 2009
	4.3	Update Note for Sel.0 + SEL.1	06 February 2009
	4.5	Update typ. self test response to 0.7g	06 February 2009
	4.7	Update pin configuration # 4, 5, 7, 11	06 February 2009
	4.8, 4.8.x	Update connecting diagram	06 February 2009
	5.3.2	Update engineering sample labeling	06 February 2009
	5.7	New chapter "Halogen content"	06 February 2009
1.3	Page 2	Update	11 February 2010
	1	Introduced 3-sigma limits	
	1	Update typ. self test response to 0.25g (x, y) and to 0.5g (z)	
	1	Update output noise density	
	4.5	Update typ. self test response to 0.25g (x, y) and to 0.5g (z)	
	5.3.1	Date code 1 coded numerically, updated marking	
	5.3.2	Date code coded numerically	
	4.6, 5.5.1	Updated device marking	

Bosch Sensortec GmbH  
Gerhard-Kindler-Strasse 8  
72770 Reutlingen / Germany

contact@bosch-sensortec.com  
[www.bosch-sensortec.com](http://www.bosch-sensortec.com)

Modifications reserved | Printed in Germany  
Specifications subject to change without notice  
Document number: BST-BMA145-DS000-03  
Version\_1.3\_022010

## X-ON Electronics

Largest Supplier of Electrical and Electronic Components

*Click to view similar products for [bosch](#) manufacturer:*

Other Similar products are found below :

[2608580396](#) [2608580419](#) [2608631013](#) [2608634503](#) [2608580428](#) [2608580407](#) [2608580399](#) [0603687000](#) [2608580444](#) [2608580446](#)  
[2608594070](#) [T144D](#) [2608580398](#) [SHUTTLE BOARD BMG250](#) [SHUTTLE BOARD BMA222E](#) [2608605644](#) [2608580432](#) [BMF055](#)  
[Breakout Board](#) [BHI260AB Shuttle Board Set](#) [BMG250 Shuttle Board](#) [2608P00233](#) [BMP280 Shuttle Board](#) [XDK110](#) [2607019457](#)  
[0330.SB0.148](#) [2608596055](#) [BMA400 Shuttle Board](#) [BHI160B Shuttle Board](#) [BMI160 Shuttle Board](#) [0272240104](#) [2608631014](#) [CISS](#)  
[0330.AB0.011](#) [BMI085 Shuttle Board](#) [BHA260AB Shuttle Board Set](#) [T101B](#) [BMA253 Shuttle Board](#) [0330.SB0.157](#) [Shuttle Board BMA490L](#)  
[Shuttle Board BMP390L](#) [BME280 Shuttle Board](#) [2608600324](#) [2608596051](#) [0330.SB0.179](#) [SHUTTLE BOARD BNO055](#) [Shuttle Board](#)  
[BMI270](#) [BMX160 Shuttle Board](#) [0-332-204-164](#) [BME680 Shuttle Board](#) [BMP388 Shuttle Board](#)