



Sense | Connect | Detect - SCD110

Industry 4.0 out of the box

PART NO | 0273 600 074

The Sense Connect Detect (SCD110) enables companies to start easily with industry 4.0. As a cost-effective, reliable (IP67) and easy-to-install solution, the sensor device attaches to almost any machine or component surface. Thanks to wireless connectivity via Bluetooth Low Energy, the data acquisition can start just after attaching the sensor. The data can be visualized via SCD mobile App. User can capture raw-data from the sensors and download in .csv format to analyze e.g. in Excel or other tools. SCD can be connected to a gateway over BLE to realize different condition monitoring applications.

BUILT-IN SENSORS



Accelerometer



Light sensor



Magnetometer



Temperature sensor



SCOPE OF DELIVERY

- ▶ SCD device & built-in battery
- ▶ Quick Start Guide
- ▶ Packaging unit consists of 10 devices

OPERATING CONDITIONS

Reference	Range
Operating temperature range	-20 °C ... +85 °C
Storage temperature range	+10 °C ... +30 °C
Humidity range	0% rH ... 100 % rH

TARGET MARKETS & CERTIFICATIONS

Further on request

European Union Countries: AT, BE, BG, CY, CZ, DE, DK, EE, ES, FI, FR, GR, HR, HU, IE, IT, LT, LU, LV, MT, NL, PL, PT, RO, SE, SI, SK

Non-EU countries: AU, CA, IL, JP, KE, MY, SG, TR, US, VN, ZA

For other countries ask BCDS support

Environmental certifications (RoHS, REACH)

MEASUREMENT RANGE, ACCURACY, RESOLUTION

Sensor	Measurement Range	Accuracy ¹	Resolution
Acceleration	± 200 g	± 10 %	0.1 g
Magnetometer	± 1300 µT (X, Y-Axis) ± 2500 µT (Z-Axis)	± 5 %	10 µT
Temperature	-20 °C ... +85 °C	± 0.25 °C	0.1 °C
Light	0 ... 188000 Lux	± 15 %	1 Lux

¹ Note: specified accuracies refer to the inbuilt sensors. The accuracy and responsiveness of the SCD110 might deviate from sensor specifications dependent on installation conditions and environmental influences.

SAMPLING RATES

Sensorw	Sampling rate (Hz)
Acceleration	400, 800, 1600, 3200, 6400
Magnetometer	10
Temperature	0.05
Light	1.25, 10

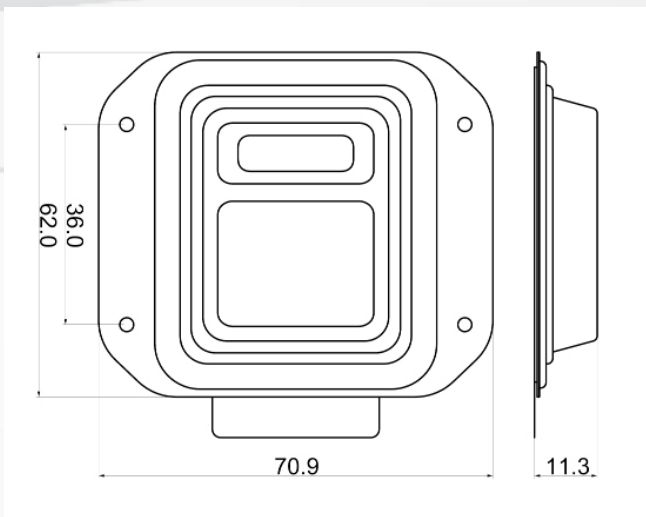


BOSCH
Invented for life

DEVICE SPECIFICATION & MAIN COMPONENTS

Reference	Information
Weight	21 g
Power supply	non-rechargeable CR2450 3V Li/MnO ₂ , 490 mAh
Battery life	up to 2 years depending on configuration and use
Enclosure protection class	IP67
Electrical protection class	III
Memory capacity	1 MB
BLE Activation	In Standby: On push button During operation: Automatic activation every 3 hours

DRAWING AND DIMENSIONS



COMMUNICATION INTERFACE

Wireless Communication

Bluetooth low energy (Range: up to 40 m (dependent on external influences))

USER INTERFACE

SCD Sensor App

Free smartphone application for configuration, read out and visualization



GET IN CONTACT WITH US!

E-Mail: support@bosch-connectivity.com

Website: www.bosch-connectivity.com/SCD



Technical data subject to modification without notice.

© Bosch Connected Devices and Solutions GmbH 2019. All rights reserved, also regarding and disposal, exploitation, reproduction, editing, distribution, as well as in the event of application for industrial property rights. August, 26, 2020

X-ON Electronics

Largest Supplier of Electrical and Electronic Components

Click to view similar products for [Multiple Function Sensor Modules](#) category:

Click to view products by [Bosch](#) manufacturer:

Other Similar products are found below :

[AD5T](#) [MM7150-AB1](#) [SIBA5-JRAB-DKL](#) [2314277-1](#) [2314277-2](#) [2314291-1](#) [ZMW-SENSOR-1](#) [2316851-1](#) [1-2314277-2](#) [2316852-1](#)
[2331211-3](#) [2316852-2](#) [2316851-2](#) [1-2314277-1](#) [CS-20SHSS-A](#) [CS-125HSS-A](#) [CS-95SSS-A](#) [eATVS-4](#) [eATVS-8](#) [tvLYT](#) [NGM_1](#) [SKU-](#)
[7000](#) [DFR0759](#) [SG-Link-200](#) [SG-Link-200-OEM](#) [V-Link-200](#) [MNS2-9-IN-VM-005](#) [MNS2-9-W2-VD-DC](#) [MNS2-9-W2-VM-005](#) [NGM-1](#)
[2JCIE-BU01](#) [K6PM-THMD-EIP](#) [K6PM-THS3232](#) [WYZBEE-SENS-101](#) [101020932](#) [101990693](#) [SIBA5-JRAB](#) [SIBA5-JREB](#) [SIBA5-JREB-](#)
[DKL](#) [SIBA-JRA](#) [SIBA-JRAB](#) [SIBA-JRE](#) [SIBA-JREB](#) [SEK](#) [SCC30-DB](#) [Sample](#) [ESYS11X](#) [ESYS11X+LOPY915](#) [ESYS11X+LOPY868](#)
[Sensit Discovery 3.1](#) [Sensit Discovery 3.2](#) [Sensit Discovery 3.3](#)