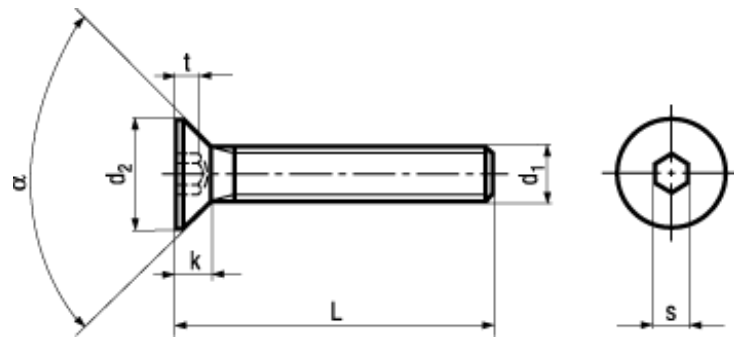


DIN 7991	~ISO 10642	010.9 / 10.9
-----------------	-------------------	---------------------



Standard withdrawn

The head marking is determining



BN 20
Hex socket flat countersunk head screws
fully threaded
Steel 010.9 / 10.9
black
• ~UNI 5933

i Fasteners to the given specification have a reduced loadability due to the head geometry according to ISO 898-1. The general change-over from DIN 7991 to ISO 10642 in the practice requires a verification of the application.

M2; M2,5: not included in DIN 7991

Article#	d ₁	d ₂ max.	k max.	s	t	α	L
1480197	M2	4	1,2	1,3	0,75	90°	(4)
1480200							(5)
1480219							(6)
1480227							8
1480235							10
1480243							12
3055515							16
1480251	M2,5	5	1,5	1,5	0,8	90°	(5)
1480278							(6)
1480286							8
1480294							10
1480308							12
1480316							16
3055516							20
1750208	M3	6	1,7	2	1,2	90°	(5)
1021168							(6)
1021176							8
1021184							10
1021192							12
1021206							(14)
1021214							16
1021222							(18)

M2; M2,5: not included in DIN 7991

Article#	d ₁	d ₂ max.	k max.	s	t	α	L
1021230	M3	6	1,7	2	1,2	90°	20
1021249							(22)
1021257							25
1021265							30
3055517							35
3646121							40
1414879	M4	8	2,3	2,5	1,8	90°	(6)
1021273							8
1021281							10
1021303							12
1021311							(14)
1021338							16
1021346							(18)
1021354							20
1021362							(22)
1021370							25
1021389							30
1021397							35
1021400							40
1021419							(45)
1021427							50
1021435	M5	10	2,8	3	2,3	90°	8
1021443							10
1021451							12
1021478							(14)
1021486							16
1021494							(18)
1021508							20
1021516							(22)
1021524							25
1021532							30
1021540							35
1021559							40
1021567							(45)
1021575							50
1021583							(55)
1021591							60
1021605	M6	12	3,3	4	2,5	90°	8
1021613							10
1021621							12
1021648							(14)

M2; M2,5: not included in DIN 7991

Article#	d ₁	d ₂ max.	k max.	s	t	α	L
1021656	M6	12	3,3	4	2,5	90°	16
1021664							(18)
1021672							20
1021680							(22)
1021699							25
1021702							30
1021710							35
1021729							40
1021737							(45)
1021745							50
1021753							(55)
1021761							60
1021788							70
1021796							80
3646122							90
3646123							100
3055519	M8	16	4,4	5	3,5	90°	10
1021818							12
1021826							(14)
1021834							16
1021842							(18)
1021850							20
1021869							(22)
1021877							25
1021885							30
1021893							35
1021907							40
1021915							(45)
1021923							50
1021931							(55)
1021958							60
1021966							(65)
1021974							70
1021982							80
1021990							90
1022008							100
8040478							120
1022016	M10	20	5,5	6	4,4	90°	12
1022024							14
1022032							16
1022059							20

M2; M2,5: not included in DIN 7991

Article#	d ₁	d ₂ max.	k max.	s	t	α	L
1022067	M10	20	5,5	6	4,4	90°	(22)
1022075							25
1022083							30
1022091							35
1022105							40
1022113							(45)
1022121							50
1022148							(55)
1022156							60
1022164							(65)
1022172							70
1022180							80
1022199							90
1022202							100
1022210	M12	24	6,5	8	4,6	90°	20
1022237							25
1022245							30
1022253							35
1022261							40
1022288							(45)
1022296							50
1022318							(55)
1022326							60
1022334							70
1022342							80
1022350							90
1022369							100
8042284	(M14)	27	7	10	4,8	90°	25
1022385							30
1022393							35
1022407							40
1022415							(45)
1022423							50
1022431							(55)
1022458							60
1022466							70
1022474							80
1022482							90
1022490							100
1022504	M16	30	7,5	10	5,3	90°	25
1022512							30

M2; M2,5: not included in DIN 7991

Article#	d ₁	d ₂ max.	k max.	s	t	α	L
1022520	M16	30	7,5	10	5,3	90°	35
1022539							40
1022547							(45)
1022555							50
1022563							(55)
1022571							60
1022598							70
1022601							80
1022628							90
1022636							100
1022644	M20	36	8,5	12	5,9	90°	35
1022652							40
1022660							(45)
1022679							50
1022687							(55)
1022695							60
1022709							70
1022717							80
1022725							90
1022733							100
1393413							120
1393421							140
3212805							160
3212806							200
1393464	M24	39	14	14	10,3	60°	40
1393480							50
1393502							60
1393677							70
1393782							80
1393979							90
1393987							100
1393995							120
1394002							140

X-ON Electronics

Largest Supplier of Electrical and Electronic Components

Click to view similar products for [Screws & Fasteners](#) category:

Click to view products by [Bossard](#) manufacturer:

Other Similar products are found below :

[5721-1440-1/4-SS](#) [593503FX](#) [0098.0094](#) [0098.9206](#) [0098.9219](#) [0098.9221](#) [0098.9262](#) [596-2114-013](#) [59781-4](#) [59781-6](#) [0098.0026](#)
[0098.9210](#) [0098.9212](#) [60227-01](#) [60227-04](#) [60227-08](#) [60228-09](#) [618-00001](#) [62153-03](#) [62153-11](#) [M316-KSSTMCZ100](#) [M3440-SS](#) [M3442-](#)
[SS](#) [M3448-SS](#) [6291A](#) [6292-1](#) [6-306105-9](#) [6-306131-4](#) [690432-1](#) [699161-000](#) [700989](#) [7-18023-1](#) [7-21002-8](#) [7230-3](#) [7235-3](#) [7248-1](#) [7248-2](#)
[73542-02](#) [CAPTIVE SHORT THUMBSCREW](#) [745564-1](#) [748174-2](#) [F03-02](#) [SUS316](#) [F1209](#) [751-00001](#) [80011](#) [809704-1](#) [8700](#) [8860220](#)
[9047](#) [95000002B](#) [9885-2](#)