

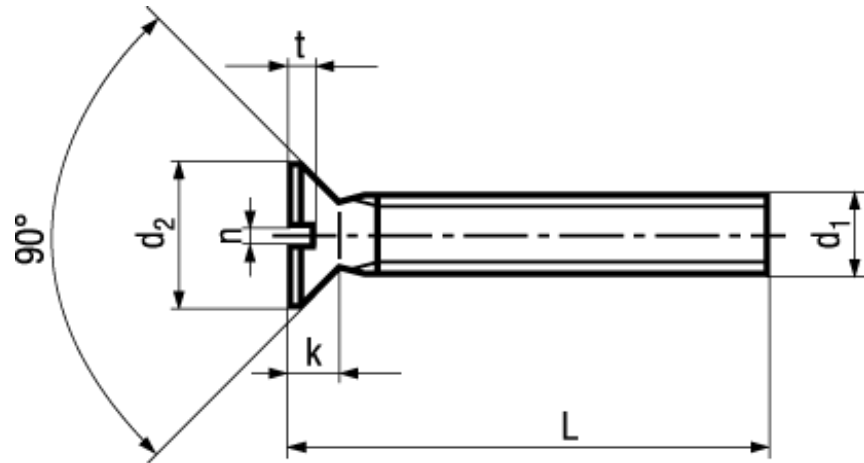


DIN 963 A

~ISO 2009

4.8

Standard withdrawn



### BN 357

#### Slotted flat countersunk head machine screws

Steel 4.8

zinc plated blue

- ~UNI 6109
- ~CSN 021151



All lengths fully threaded  
Countersink must be designed according to the corresponding standard!

M2,3; M2,6: not included in DIN 963

Article#	d <sub>1</sub>	d <sub>2</sub> max.	k max.	n	t min.	L
1435078	M1,6	3	0,96	0,4	0,32	3
1435086						4
1435094						5
1435108						6
1435116						8
1435124						10
1435132						12
1139584	M2	3,8	1,2	0,5	0,4	4
1139592						5
1139606						6
1139614						8
1139622						10
1139630						12
1139649						(14)
1139657						16
1139673						20
1139800	M2,3	4,5	1,3	0,6	0,4	4
1139819						5
1139827						6
1139835						8
1139843						10
1139851						12

M2,3; M2,6: not included in DIN 963

Article#	d <sub>1</sub>	d <sub>2</sub> max.	k max.	n	t min.	L
1139916	M2,5	4,7	1,5	0,6	0,5	4
1139924						5
1139932						6
1139940						8
1139959						10
1139967						12
1139975						(14)
1139983						16
1140000						20
1140019						(22)
1140027						25
1140035						30
1140051	M2,6	5	1,5	0,6	0,5	5
1140078						6
1140086						8
1140094						10
1140108						12
1140124						16
1140183	M3	5,6	1,65	0,8	0,6	4
1140191						5
1140205						6
1140213						8
1140221						10
1140248						12
1140256						(14)
1140264						16
1140272						(18)
1140280						20
1140299						(22)
1140302						25
1140310						30
1140329						35
1140337						40
1140345						45
1140353						50
1140361						60
1140388	(M3,5)	6,5	1,93	0,8	0,7	5
1140396						6
1140418						8
1140426						10
1140434						12

M2,3; M2,6: not included in DIN 963

Article#	d <sub>1</sub>	d <sub>2</sub> max.	k max.	n	t min.	L
1140450	(M3,5)	6,5	1,93	0,8	0,7	16
1140477						20
1140493						25
1140507						30
1140523						40
1140531	M4	7,5	2,2	1	0,8	5
1140558						6
1140566						8
1140574						10
1140582						12
1140590						(14)
1140604						16
1140612						(18)
1140620						20
1140639						(22)
1140647						25
1140655						30
1140663						35
1140671						40
1140698						45
1140701						50
1435140						(55)
1140728						60
1370448						(65)
1435159						70
1370456						(75)
1435167						80
1140736	M5	9,2	2,5	1,2	1	6
1140744						8
1140752						10
1140760						12
1140779						(14)
1140787						16
1140795						(18)
1140809						20
1140817						(22)
1140825						25
1140841						30
1140868						35
1140876						40
1140884						45

M2,3; M2,6: not included in DIN 963

Article#	d <sub>1</sub>	d <sub>2</sub> max.	k max.	n	t min.	L
1140892	M5	9,2	2,5	1,2	1	50
1435175						(55)
1140906						60
1140914						70
1140922						80
1435213						90
1435221						100
1140930	M6	11	3	1,6	1,2	8
1140949						10
1140957						12
1140965						(14)
1140973						16
1140981						(18)
1141007						20
1141015						(22)
1141023						25
1141058						30
1141066						35
1141074						40
1141082						45
1141090						50
1435183						(55)
1141104						60
1141112						70
1141120						80
1141139						90
1141147						100
3056167	M8	14,5	4	2	1,6	10
1120913						12
1120980						16
1121014						(18)
1121022						20
1121049						25
1121057						(28)
1121162						30
1121189						35
1121200						40
1121227						45
1121243						50
1121251						(55)
1121278						60

M2,3; M2,6: not included in DIN 963

Article#	d <sub>1</sub>	d <sub>2</sub> max.	k max.	n	t min.	L
1121286	M8	14,5	4	2	1,6	70
1121294						80
1121308						90
1121324						100
1121340	M10	18	5	2,5	2	16
1121367						20
1121383						25
1121405						30
1121413						35
1121421						40
1121448						45
1121456						50
1121472						60
1121480						70
1121499						80
1121502						90
1121588						100
1121618	M12	22	6	3	2,4	20
1121634						25
1121650						30
1121677						35
1121685						40
1121693						45
1121707						50
1121715						60
1121723						70
1121731						80
1121758						90
1121766						100
1121774	M16	29	8	4	3,2	25
1121839						30
1121855						35
1121871						40
1121901						45
1121936						50
1121952						60
1121979						70
1121987						80

## X-ON Electronics

Largest Supplier of Electrical and Electronic Components

*Click to view similar products for [Screws & Fasteners](#) category:*

*Click to view products by [Bossard](#) manufacturer:*

Other Similar products are found below :

[5721-1440-1/4-SS](#) [0098.0094](#) [0098.9206](#) [59781-6](#) [0098.9212](#) [6292-1](#) [690432-1](#) [699161-000](#) [700989](#) [7230-3](#) [72609-02](#) [CAPTIVE JACK](#)  
[SCREW](#) [73542-02](#) [CAPTIVE SHORT THUMBSCREW](#) [745564-1](#) [7680](#) [809704-1](#) [8700](#) [8860220](#) [9521](#) [992763-3](#) [1-18024-0](#) [A168P1](#) [1-](#)  
[24921-1](#) [125416-1](#) [1301810313](#) [1-306131-6](#) [1301830042](#) [1458](#) [1-59781-3](#) [18029-4](#) [NBX-10953](#) [NUT-16-3P-HEX-NICKEL](#) [20993.45098](#)  
[21004-1](#) [21009-4](#) [21014-5](#) [21021-2](#) [CA24037A01](#) [22987-4](#) [240632-1](#) [240632-2](#) [89506-9801](#) [2504](#) [9031](#) [9-1393249-2](#) [2.5NZPNBU](#) [26-](#)  
[0048PP](#) [27210-1](#) [27210-8](#) [9318](#) [9520](#)