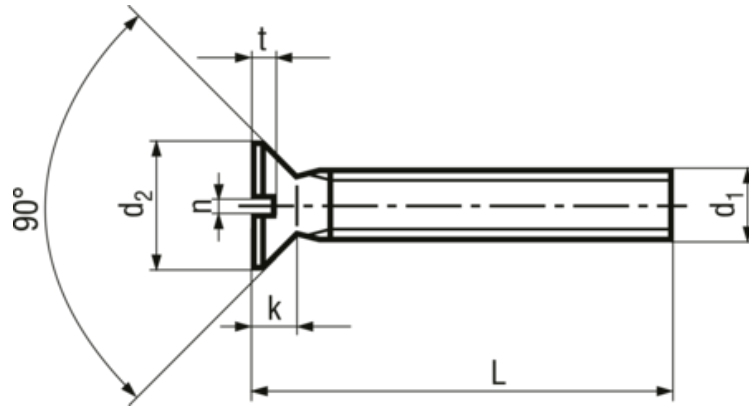


Slotted flat countersunk head machine screws

BN 537



Headform	Countersunk
Drive	Slot
Thread	fully threaded
Material	Brass
Surface	plain
Standard	~DIN 963 A (Standard withdrawn), ~ISO 2009, ~UNI 6109, ~ČSN 021151

Article no	d1	L	d2	k max	n	t min
1160508	M1	3	1.9	0.6	0.25	0.2
1160516	M1	4	1.9	0.6	0.25	0.2
1160524	M1	5	1.9	0.6	0.25	0.2
1160532	M1	6	1.9	0.6	0.25	0.2
1160540	M1	8	1.9	0.6	0.25	0.2
1160559	M1,2	3	2.3	0.72	0.3	0.25
1160567	M1,2	4	2.3	0.72	0.3	0.25
1160575	M1,2	5	2.3	0.72	0.3	0.25
1160583	M1,2	6	2.3	0.72	0.3	0.25
1160591	M1,2	8	2.3	0.72	0.3	0.25
1160605	M1,6	3	3	0.96	0.4	0.32
1160613	M1,6	4	3	0.96	0.4	0.32
1160621	M1,6	5	3	0.96	0.4	0.32
1160648	M1,6	6	3	0.96	0.4	0.32
1160656	M1,6	8	3	0.96	0.4	0.32
1204564	M2	3	3.8	1.2	0.5	0.4
1204572	M2	4	3.8	1.2	0.5	0.4
1204580	M2	5	3.8	1.2	0.5	0.4

Article no	d1	L	d2	k max	n	t min
1204599	M2	6	3.8	1.2	0.5	0.4
1204602	M2	8	3.8	1.2	0.5	0.4
1204610	M2	10	3.8	1.2	0.5	0.4
1160664	M2	12	3.8	1.2	0.5	0.4
1160710	M2,5	3	4.7	1.5	0.6	0.5
1160729	M2,5	4	4.7	1.5	0.6	0.5
1204866	M2,5	5	4.7	1.5	0.6	0.5
1204874	M2,5	6	4.7	1.5	0.6	0.5
1204882	M2,5	8	4.7	1.5	0.6	0.5
1204890	M2,5	10	4.7	1.5	0.6	0.5
1204904	M2,5	12	4.7	1.5	0.6	0.5
1160745	M2,5	16	4.7	1.5	0.6	0.5
1160788	M3	3	5.6	1.65	0.8	0.6
1160796	M3	4	5.6	1.65	0.8	0.6
1205145	M3	5	5.6	1.65	0.8	0.6
1205153	M3	6	5.6	1.65	0.8	0.6
1205161	M3	8	5.6	1.65	0.8	0.6
1205188	M3	10	5.6	1.65	0.8	0.6
1205196	M3	12	5.6	1.65	0.8	0.6
1160818	M3	(14)	5.6	1.65	0.8	0.6
1205226	M3	16	5.6	1.65	0.8	0.6
1205242	M3	20	5.6	1.65	0.8	0.6
1205250	M3	25	5.6	1.65	0.8	0.6
1205269	M3	30	5.6	1.65	0.8	0.6
1160826	M3	35	5.6	1.65	0.8	0.6
1160834	M3	40	5.6	1.65	0.8	0.6
1160842	M4	5	7.5	2.2	1	0.8
1205455	M4	6	7.5	2.2	1	0.8
1205463	M4	8	7.5	2.2	1	0.8
1205471	M4	10	7.5	2.2	1	0.8
1205498	M4	12	7.5	2.2	1	0.8
1160850	M4	(14)	7.5	2.2	1	0.8
1205528	M4	16	7.5	2.2	1	0.8
1205544	M4	20	7.5	2.2	1	0.8
1205560	M4	25	7.5	2.2	1	0.8
1205579	M4	30	7.5	2.2	1	0.8
1160869	M4	35	7.5	2.2	1	0.8
1160877	M4	40	7.5	2.2	1	0.8
1160885	M4	45	7.5	2.2	1	0.8
1160893	M4	50	7.5	2.2	1	0.8
1160907	M4	60	7.5	2.2	1	0.8
1205641	M5	8	9.2	2.5	1.2	1
1205668	M5	10	9.2	2.5	1.2	1
1205676	M5	12	9.2	2.5	1.2	1
1160915	M5	(14)	9.2	2.5	1.2	1
1205692	M5	16	9.2	2.5	1.2	1
1205714	M5	20	9.2	2.5	1.2	1
1205730	M5	25	9.2	2.5	1.2	1
1205749	M5	30	9.2	2.5	1.2	1
1160923	M5	35	9.2	2.5	1.2	1

Article no	d1	L	d2	k max	n	t min
1205765	M5	40	9.2	2.5	1.2	1
1160931	M5	45	9.2	2.5	1.2	1
1160958	M5	50	9.2	2.5	1.2	1
1160966	M5	60	9.2	2.5	1.2	1
1205838	M6	10	11	3	1.6	1.2
1205846	M6	12	11	3	1.6	1.2
1160974	M6	(14)	11	3	1.6	1.2
1205862	M6	16	11	3	1.6	1.2
1205889	M6	20	11	3	1.6	1.2
1205900	M6	25	11	3	1.6	1.2
1205919	M6	30	11	3	1.6	1.2
1160982	M6	35	11	3	1.6	1.2
1205935	M6	40	11	3	1.6	1.2
1160990	M6	45	11	3	1.6	1.2
1205951	M6	50	11	3	1.6	1.2
1161008	M6	60	11	3	1.6	1.2
1206028	M8	20	14.5	4	2	1.6
1206036	M8	25	14.5	4	2	1.6
1206044	M8	30	14.5	4	2	1.6
1206060	M8	40	14.5	4	2	1.6
1206087	M8	50	14.5	4	2	1.6
1206117	M10	25	18	5	2.5	2
1206125	M10	30	18	5	2.5	2
1206141	M10	40	18	5	2.5	2

X-ON Electronics

Largest Supplier of Electrical and Electronic Components

Click to view similar products for [Screws & Fasteners](#) category:

Click to view products by [Bossard](#) manufacturer:

Other Similar products are found below :

[5721-1440-1/4-SS](#) [593503FX](#) [0098.0094](#) [0098.9206](#) [0098.9219](#) [0098.9262](#) [596-2114-013](#) [59781-6](#) [0098.0026](#) [0098.9210](#) [0098.9212](#) [60227-01](#) [60227-04](#) [60227-08](#) [60687-01](#) LOCK WASHER Black [62153-03](#) [62153-11](#) [M316-KSSTMCZ100](#) [M3440-SS](#) [M3448-SS](#) [6292-1](#) [6-306105-9](#) [6-306131-4](#) [690432-1](#) [699161-000](#) [7230-3](#) [7244](#) [7248-1](#) [7248-2](#) [73542-02](#) CAPTIVE SHORT THUMBSCREW [745564-1](#) [F1209](#) [751-00001](#) [7680](#) [809704-1](#) [8700](#) [8860220](#) [9047](#) [9521](#) [992326-6](#) [992763-3](#) [1-18024-0](#) [1-18028-2](#) [A168P1](#) [A495P1](#) [1-24921-1](#) [125416-1](#) [1260](#) [13-0036](#) [1301810148](#)