

## At your service in the field of fastening technology

The company headquartered in Zug, Switzerland, is among the market leaders in fastening technology in Europe, the Americas and Asia-Pacific. Bossard is a global network of companies with **2'500 employees in 77 locations** and carefully selected international partners in all regions of the world.

Our drive for excellence and innovation has led to steady growth and market success for more than 185 years.

### The core competences are:



[Product Solutions](#) – the full range of fastening products such as screws, nuts, bolts, woodscrews, washers, pins and much more.



[Assembly Technology Expert](#) and consulting services to optimize your production and assembly processes



[Smart Factory Logistics](#) solutions to free you from C-parts management

## BN 711 1254405 conical spring washer M5

Conical spring washers small type (SN 212748), 1.4310

### 3D View



#### Zoom

Moves you toward or away from objects in the scene when you drag vertically. You can also zoom with the hand tool by holding down Shift as you drag.

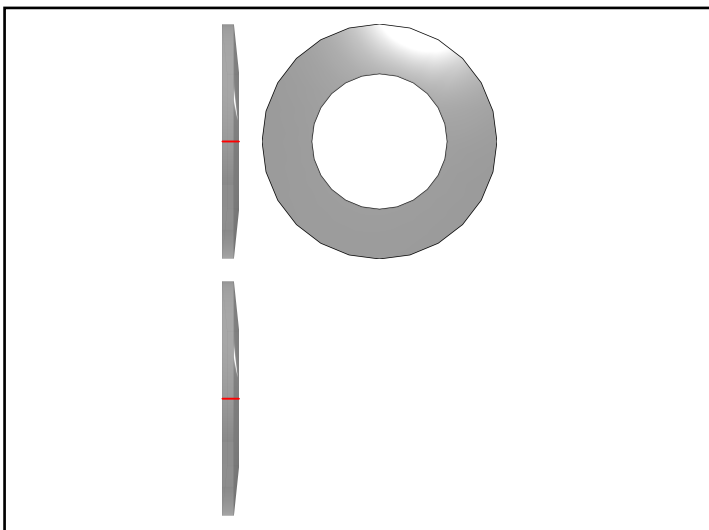
#### Pan

Moves the model vertically and horizontally only. You can also pan with the hand tool: Ctrl-drag.

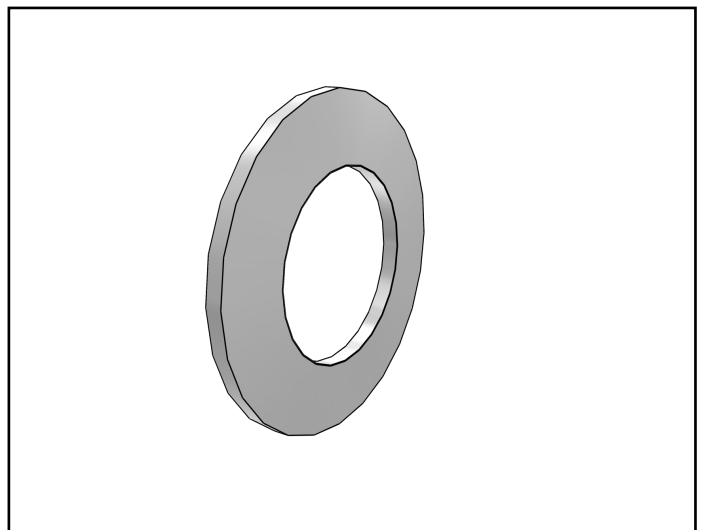
#### Rotate

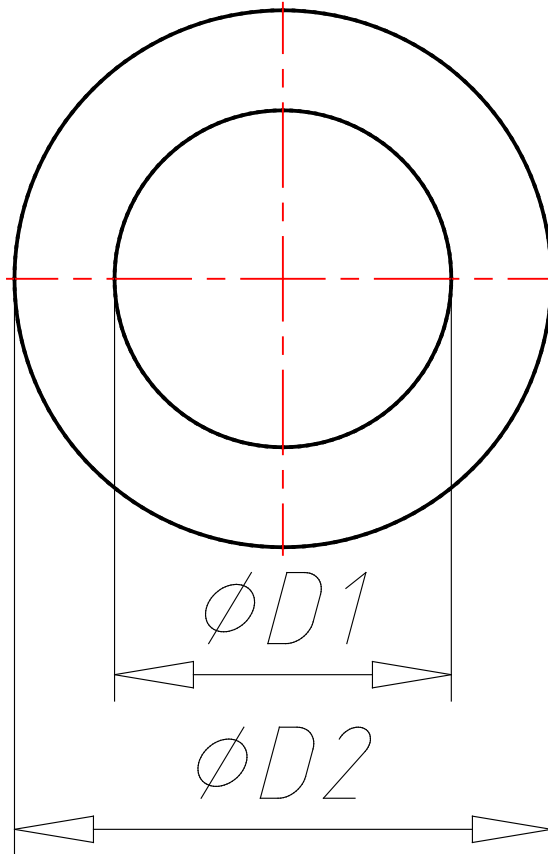
Turns 3D objects around relative to the screen. How the objects move depends on the starting view, where you start dragging and the direction in which you drag.

### 2D derivation



### ISO View





© For this drawing we reserve all rights. Without our permission it may neither be copied nor made accessible to third persons.

© Diese Zeichnung darf ohne unsere schriftliche Genehmigung weder vervielfältigt noch Drittpersonen zugänglich gemacht werden.

|  |                        |   |                            |                        |                   |
|--|------------------------|---|----------------------------|------------------------|-------------------|
|  |                        | <b>BN 711 1254405 conical spring washer M5</b>        |                            |                        |                   |
|  |                        | Conical spring washers small type (SN 212748), 1.4310 |                            |                        |                   |
| Version Index  | Modification Aenderung |   |                            | Date Datum             | Changed Geaendert |
| Comment Bemerkung —  |                        |   |                            |                        |                   |
| Specifications and reference standards Technische Lieferbedingungen und Bezugsnormen |                        |   | Material Werkstoff         | —                      |                   |
| Tolerances Toleranzen  |                        |   | Surface Oberflaeche        | —                      |                   |
| Substitute for Ersatz fuer —   |                        |   | Title Benennung            |                        |                   |
| Replaced by Ersetzt durch —  |                        |   |                            |                        |                   |
| Drawn Gezeichnet   | —                      | —   | Drawing no. Zeichnungs-Nr. | Dimensions Dimensionen |                   |
| Checked Geprueft   | —                      | —   |                            | mm                     |                   |
| Approved Freigabe  | —                      | —   |                            | Revision Index         |                   |
|  |                        |   | —                          | —                      | %                 |

**BN 711 1254405 conical spring washer M5**

Conical spring washers small type (SN 212748), 1.4310

**Technical Data**

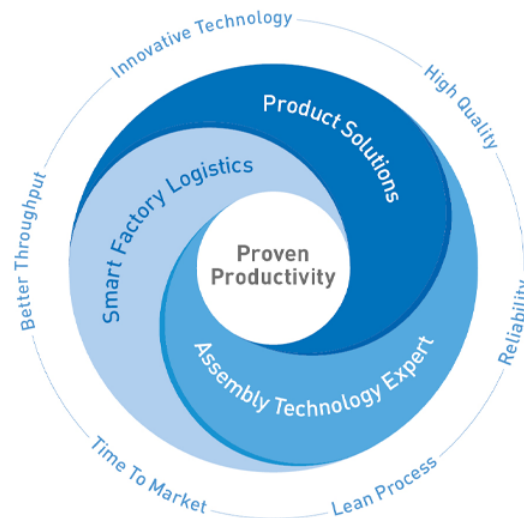
|                          |                        |
|--------------------------|------------------------|
| BNARTNR (Identification) | 1254405                |
| BNNORM1 ()               | SN 212748              |
| BNMAT (Material)         | Stainless steel 1.4310 |
| D (for screws)           | 5                      |
| D1 ( / mm)               | 5.3                    |
| D2 ( / mm)               | 9.2                    |
| H (min. / mm)            | 0.65                   |
| S ( / mm)                | 0.45                   |

**BN 711 1254405 conical spring washer M5**

Conical spring washers small type (SN 212748), 1.4310

**Bill of Materials**

| N°  | Description                             | Amount |
|-----|---|--------|
| 1.1 | BN 711 1254405 conical spring washer M5 | 1      |



From the perspective of our customers, the interplay has six core benefits within the perspectives of [Product Solutions](#), [Assembly Technology Expert](#) and [Smart Factory Logistics](#):

1. Time to market:

This means that our customers' products are brought to market faster – a crucial competitive advantage in a global environment where speed counts.

2. Lean process:

For our customers, this means saving time, money and resources, being able to better calculate total costs – and above all, achieving higher margins.

3. Better throughput:

This is one of the central cost aspects for our customers when it comes to boosting effectiveness – and especially improving efficiency.

4. High quality:

For our customers, this means absolute reliability in terms of product, process and production safety – and hence, less waste and fewer complaints.

5. Innovative technology:

From a customer's perspective this is crucial. Only companies open to new developments are ready to successfully forge new paths and go where no other competitor has gone before.

6. Maximum reliability:

For our loyal customers, this means knowing that they can rely on us and our long-time employees with the utmost confidence – not just now, but decades down the line.

## X-ON Electronics

Largest Supplier of Electrical and Electronic Components

*Click to view similar products for [Screws & Fasteners](#) category:*

*Click to view products by [Bossard](#) manufacturer:*

Other Similar products are found below :

[5721-1440-1/4-SS](#) [593503FX](#) [0098.0094](#) [0098.9206](#) [0098.9219](#) [0098.9262](#) [596-2114-013](#) [59781-6](#) [0098.0026](#) [0098.9210](#) [0098.9212](#) [60227-01](#) [60227-04](#) [60227-08](#) [60687-01](#) LOCK WASHER Black [62153-03](#) [62153-11](#) [M316-KSSTMCZ100](#) [M3440-SS](#) [M3448-SS](#) [6292-1](#) [6-306105-9](#) [6-306131-4](#) [690432-1](#) [699161-000](#) [7230-3](#) [7244](#) [7248-1](#) [7248-2](#) [73542-02](#) CAPTIVE SHORT THUMBSCREW [745564-1](#) [F1209](#) [751-00001](#) [7680](#) [809704-1](#) [8700](#) [8860220](#) [9047](#) [9521](#) [992326-6](#) [992763-3](#) [1-18024-0](#) [1-18028-2](#) [A168P1](#) [A495P1](#) [1-24921-1](#) [125416-1](#) [1260](#) [13-0036](#) [1301810148](#)