

## At your service in the field of fastening technology

The company headquartered in Zug, Switzerland, is among the market leaders in fastening technology in Europe, the Americas and Asia-Pacific. Bossard is a global network of companies with **2'500 employees in 77 locations** and carefully selected international partners in all regions of the world.

Our drive for excellence and innovation has led to steady growth and market success for more than 185 years.

### The core competences are:



[Product Solutions](#) – the full range of fastening products such as screws, nuts, bolts, woodscrews, washers, pins and much more.



[Assembly Technology Expert](#) and consulting services to optimize your production and assembly processes

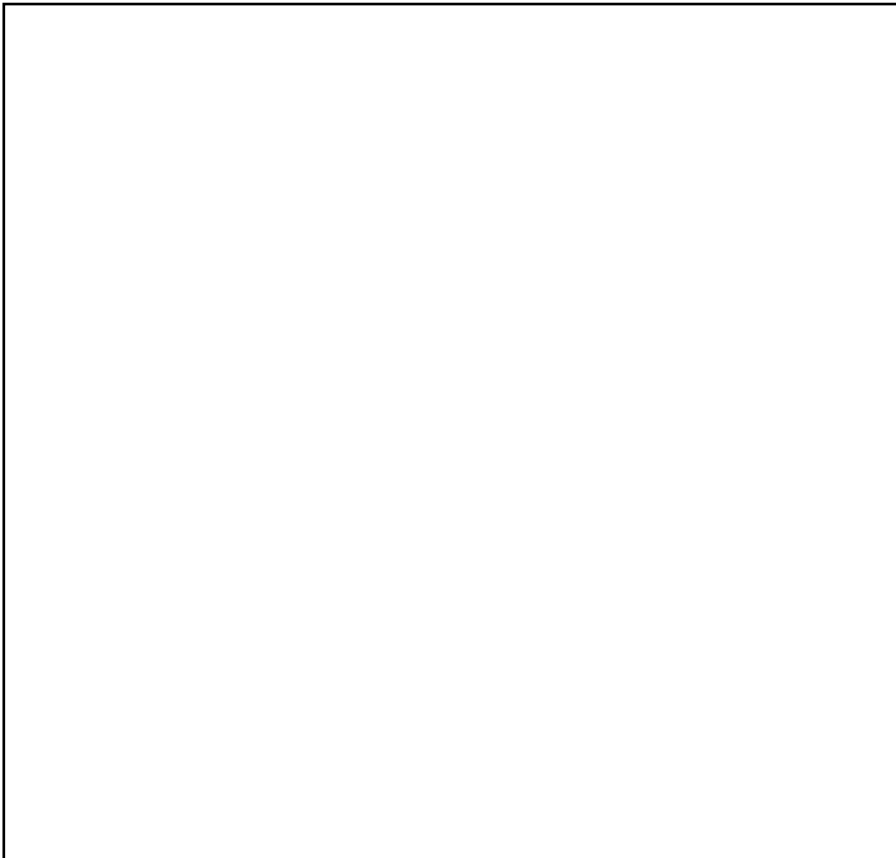


[Smart Factory Logistics](#) solutions to free you from C-parts management

## BN 2844 1489658 hexagon socket head cap screw M6x35

Hex socket head cap screws with low head, partially / fully threaded (DIN 7984), stainless steel A2

### 3D View



Zoom

Moves you toward or away from objects in the scene when you drag vertically. You can also zoom with the hand tool by holding down Shift as you drag.



Pan

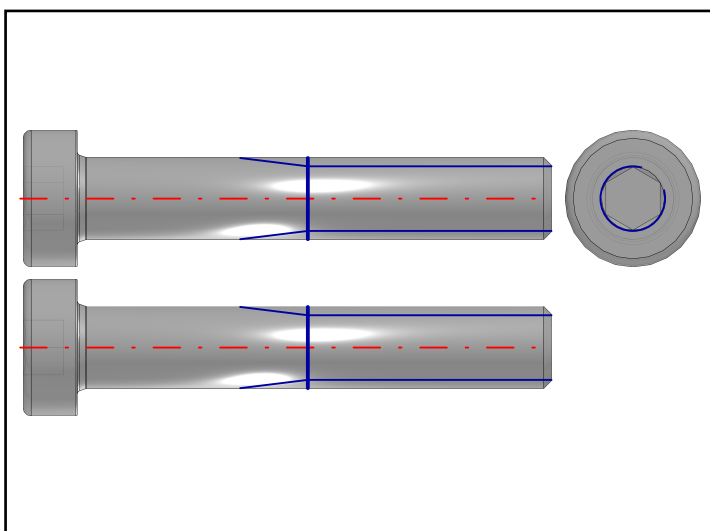
Moves the model vertically and horizontally only. You can also pan with the hand tool: Ctrl-drag.



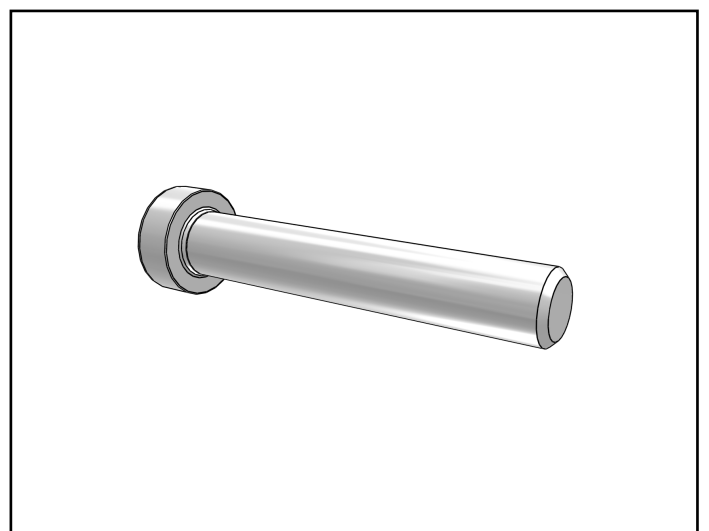
Rotate

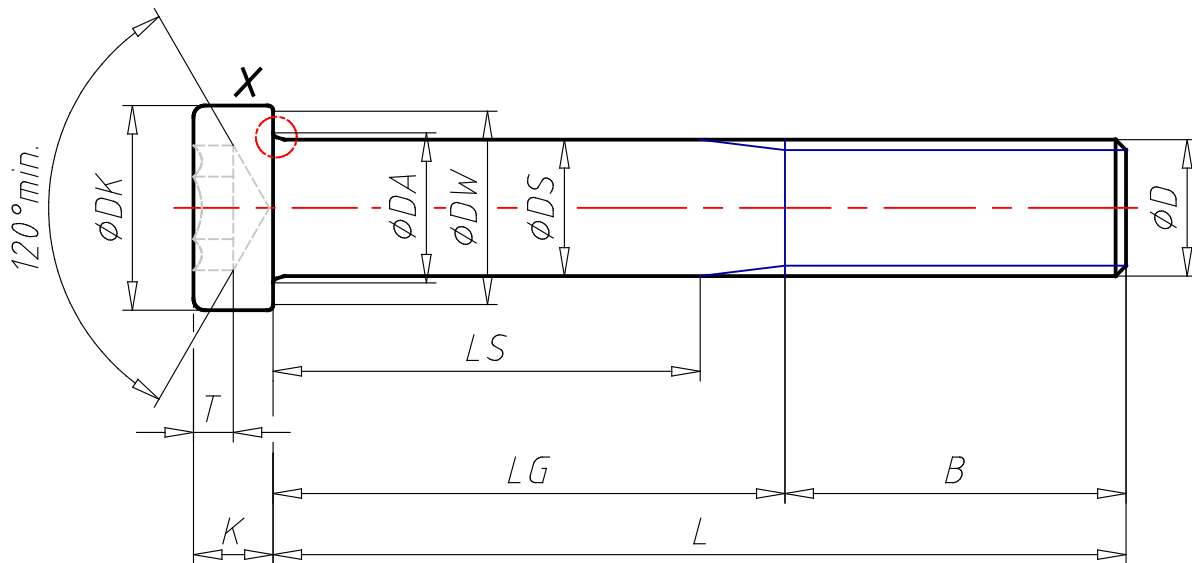
Turns 3D objects around relative to the screen. How the objects move depends on the starting view, where you start dragging and the direction in which you drag.

### 2D derivation



### ISO View





© For this drawing we reserve all rights. Without our permission it may neither be copied nor made accessible to third persons.

© Diese Zeichnung darf ohne unsere schriftliche Genehmigung weder vervielfältigt noch Drittpersonen zugänglich gemacht werden.

<b>BN 2844 1489658 hexagon socket head cap screw M6x35</b>					
Hex socket head cap screws with low head, partially / fully threaded (DIN 7984), stainless steel A2					
Version Index	Modification Aenderung			Date Datum	Changed Geändert
Comment Bemerkung —					
Specifications and reference standards Technische Lieferbedingungen und Bezugsnormen			Material Werkstoff —		
Tolerances Toleranzen			Surface Oberfläche —		
Substitute for Ersatz fuer —			Title Benennung		
Replaced by Ersetzt durch —			—		
Drawn Gezeichnet	—	—	BOSSARD		Dimensions Dimensionen mm
Checked Geprüft	—	—	Drawing no. Zeichnungs-Nr.		Revision Index —
Approved Freigabe	—	—	—		Scale Massstab %

**BN 2844 1489658 hexagon socket head cap screw M6x35**

Hex socket head cap screws with low head, partially / fully threaded (DIN 7984), stainless steel A2

**Technical Data**

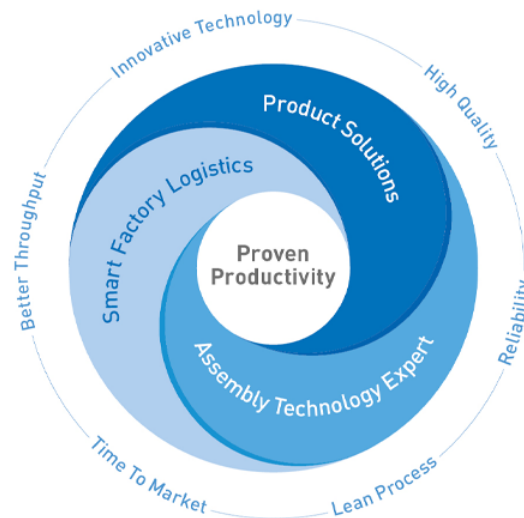
BNARTNR (Identification)	1489658
BNNORM1 ()	DIN 7984
BNMAT (Material)	Stainless steel A2
D (Nominal thread diameter / mm)	6
D3 (Thread core diameter / mm)	4.773
P (Threaded pitch / mm)	1
L (Nominal length / mm)	35
LG (Distance from the last full form thread to the bearing face (shank length of bolt) max. / mm)	17
LS (Shank length min. / mm)	12
B (Thread length / mm)	18
BX1 (B for 125	18
BX2 (B for L	0
BX3 (B for L > 200 / mm)	0
DK (Head diameter max. / mm)	10
DA (max. / mm)	6.8
DS (max. / mm)	6
DW (Diameter / mm)	9.2
E (Width across corners / mm)	4.58
LF (max. / mm)	0.68
K (Head height max. / mm)	4

**BN 2844 1489658 hexagon socket head cap screw M6x35**

Hex socket head cap screws with low head, partially / fully threaded (DIN 7984), stainless steel A2

**Bill of Materials**

N°	Description	Amount
1.1	BN 2844 1489658 hexagon socket head cap screw M6x35	1



From the perspective of our customers, the interplay has six core benefits within the perspectives of [Product Solutions](#), [Assembly Technology Expert](#) and [Smart Factory Logistics](#):

1. Time to market:

This means that our customers' products are brought to market faster – a crucial competitive advantage in a global environment where speed counts.

2. Lean process:

For our customers, this means saving time, money and resources, being able to better calculate total costs – and above all, achieving higher margins.

3. Better throughput:

This is one of the central cost aspects for our customers when it comes to boosting effectiveness – and especially improving efficiency.

4. High quality:

For our customers, this means absolute reliability in terms of product, process and production safety – and hence, less waste and fewer complaints.

5. Innovative technology:

From a customer's perspective this is crucial. Only companies open to new developments are ready to successfully forge new paths and go where no other competitor has gone before.

6. Maximum reliability:

For our loyal customers, this means knowing that they can rely on us and our long-time employees with the utmost confidence – not just now, but decades down the line.

## X-ON Electronics

Largest Supplier of Electrical and Electronic Components

*Click to view similar products for [Screws & Fasteners](#) category:*

*Click to view products by [Bossard](#) manufacturer:*

Other Similar products are found below :

[5721-1440-1/4-SS](#) [593503FX](#) [0098.0094](#) [0098.9206](#) [0098.9219](#) [0098.9262](#) [596-2114-013](#) [59781-6](#) [0098.0026](#) [0098.9210](#) [0098.9212](#) [60227-01](#) [60227-04](#) [60227-08](#) [60687-01](#) LOCK WASHER Black [62153-03](#) [62153-11](#) [M316-KSSTMCZ100](#) [M3440-SS](#) [M3448-SS](#) [6292-1](#) [6-306105-9](#) [6-306131-4](#) [690432-1](#) [699161-000](#) [7230-3](#) [7244](#) [7248-1](#) [7248-2](#) [73542-02](#) CAPTIVE SHORT THUMBSCREW [745564-1](#) [F1209](#) [751-00001](#) [7680](#) [809704-1](#) [8700](#) [8860220](#) [9047](#) [9521](#) [992326-6](#) [992763-3](#) [1-18024-0](#) [1-18028-2](#) [A168P1](#) [A495P1](#) [1-24921-1](#) [125416-1](#) [1260](#) [13-0036](#) [1301810148](#)