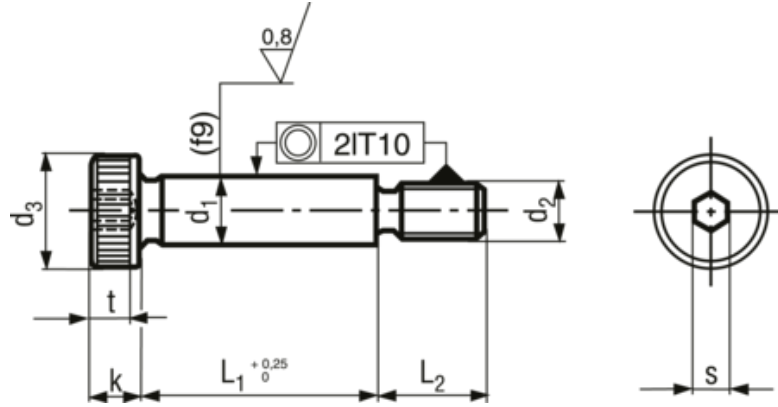


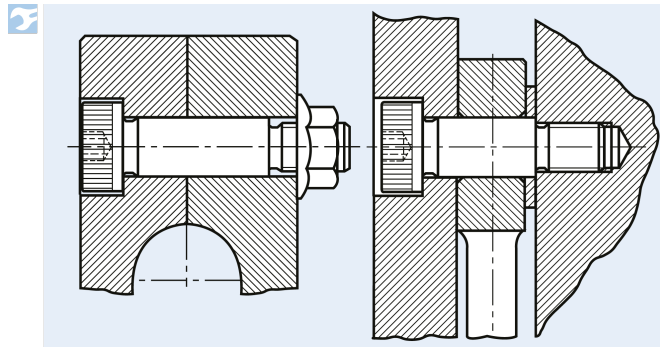
Hex socket head shoulder bolts

BN 1359



Headform	Cylindrical
Drive	Hexagon socket
Thread	partially threaded
Material	Steel
Strength class	012.9 / 12.9 (The head marking is determining)
Surface	black
Standard	ISO 7379

Illustration assembly



Warnings These screws are not intended for high strength applications.

6; 12; 24: not included in ISO 7379

Article no	d1	L1	d1 min	d1 max	d2	L2	d3	k max	t min	s
1985019	6	8	5.96	5.99	M5	9.5	10	4.5	2.4	3
1079891	6	10	5.96	5.99	M5	9.5	10	4.5	2.4	3
1079999	6	12	5.96	5.99	M5	9.5	10	4.5	2.4	3

Article no	d1	L1	d1 min	d1 max	d2	L2	d3	k max	t min	s
1080121	6	16	5.96	5.99	M5	9.5	10	4.5	2.4	3
1080172	6	20	5.96	5.99	M5	9.5	10	4.5	2.4	3
1080199	6	25	5.96	5.99	M5	9.5	10	4.5	2.4	3
1081977	6	30	5.96	5.99	M5	9.5	10	4.5	2.4	3
1985027	6	35	5.96	5.99	M5	9.5	10	4.5	2.4	3
1081985	6	40	5.96	5.99	M5	9.5	10	4.5	2.4	3
1985035	6	45	5.96	5.99	M5	9.5	10	4.5	2.4	3
1202065	6	50	5.96	5.99	M5	9.5	10	4.5	2.4	3
3645988	6	60	5.96	5.99	M5	9.5	10	4.5	2.4	3
1985043	8	10	7.951	7.987	M6	11	13	5.5	3.3	4
1081993	8	12	7.951	7.987	M6	11	13	5.5	3.3	4
1083066	8	16	7.951	7.987	M6	11	13	5.5	3.3	4
1084275	8	20	7.951	7.987	M6	11	13	5.5	3.3	4
1085026	8	25	7.951	7.987	M6	11	13	5.5	3.3	4
1085298	8	30	7.951	7.987	M6	11	13	5.5	3.3	4
1985051	8	35	7.951	7.987	M6	11	13	5.5	3.3	4
1085581	8	40	7.951	7.987	M6	11	13	5.5	3.3	4
1985078	8	45	7.951	7.987	M6	11	13	5.5	3.3	4
1086375	8	50	7.951	7.987	M6	11	13	5.5	3.3	4
1985086	8	55	7.951	7.987	M6	11	13	5.5	3.3	4
1985094	8	60	7.951	7.987	M6	11	13	5.5	3.3	4
3645989	8	70	7.951	7.987	M6	11	13	5.5	3.3	4
3645990	10	10	9.951	9.987	M8	13	16	7	4.2	5
1985108	10	12	9.951	9.987	M8	13	16	7	4.2	5
1087495	10	16	9.951	9.987	M8	13	16	7	4.2	5
1087517	10	20	9.951	9.987	M8	13	16	7	4.2	5
1087525	10	25	9.951	9.987	M8	13	16	7	4.2	5
1087533	10	30	9.951	9.987	M8	13	16	7	4.2	5
1985116	10	35	9.951	9.987	M8	13	16	7	4.2	5
1088513	10	40	9.951	9.987	M8	13	16	7	4.2	5
1985124	10	45	9.951	9.987	M8	13	16	7	4.2	5
1088548	10	50	9.951	9.987	M8	13	16	7	4.2	5
1985132	10	55	9.951	9.987	M8	13	16	7	4.2	5
1088564	10	60	9.951	9.987	M8	13	16	7	4.2	5
1088580	10	70	9.951	9.987	M8	13	16	7	4.2	5
1088653	10	80	9.951	9.987	M8	13	16	7	4.2	5
3645991	10	90	9.951	9.987	M8	13	16	7	4.2	5
3645992	10	100	9.951	9.987	M8	13	16	7	4.2	5
2106299	12	12	11.941	11.984	M10	16	18	9	4.9	6
2106302	12	16	11.941	11.984	M10	16	18	9	4.9	6
2106310	12	20	11.941	11.984	M10	16	18	9	4.9	6
2106329	12	25	11.941	11.984	M10	16	18	9	4.9	6
2106337	12	30	11.941	11.984	M10	16	18	9	4.9	6
2106345	12	35	11.941	11.984	M10	16	18	9	4.9	6
2106353	12	40	11.941	11.984	M10	16	18	9	4.9	6
2106361	12	45	11.941	11.984	M10	16	18	9	4.9	6
2106388	12	50	11.941	11.984	M10	16	18	9	4.9	6
2106396	12	55	11.941	11.984	M10	16	18	9	4.9	6
2106418	12	60	11.941	11.984	M10	16	18	9	4.9	6
2106426	12	70	11.941	11.984	M10	16	18	9	4.9	6

Article no	d1	L1	d1 min	d1 max	d2	L2	d3	k max	t min	s
2106434	12	80	11.941	11.984	M10	16	18	9	4.9	6
2106442	12	90	11.941	11.984	M10	16	18	9	4.9	6
2106450	12	100	11.941	11.984	M10	16	18	9	4.9	6
2106469	16	25	15.941	15.984	M12	18	24	11	6.6	8
2106477	16	30	15.941	15.984	M12	18	24	11	6.6	8
2106485	16	35	15.941	15.984	M12	18	24	11	6.6	8
2106493	16	40	15.941	15.984	M12	18	24	11	6.6	8
2106507	16	45	15.941	15.984	M12	18	24	11	6.6	8
2106515	16	50	15.941	15.984	M12	18	24	11	6.6	8
2106523	16	55	15.941	15.984	M12	18	24	11	6.6	8
2106531	16	60	15.941	15.984	M12	18	24	11	6.6	8
2106558	16	70	15.941	15.984	M12	18	24	11	6.6	8
2106566	16	80	15.941	15.984	M12	18	24	11	6.6	8
2106574	16	90	15.941	15.984	M12	18	24	11	6.6	8
2106582	16	100	15.941	15.984	M12	18	24	11	6.6	8
2106590	16	120	15.941	15.984	M12	18	24	11	6.6	8
1985221	20	35	19.928	19.98	M16	22	30	14	8.8	10
1091336	20	40	19.928	19.98	M16	22	30	14	8.8	10
1985248	20	45	19.928	19.98	M16	22	30	14	8.8	10
1091344	20	50	19.928	19.98	M16	22	30	14	8.8	10
1985256	20	55	19.928	19.98	M16	22	30	14	8.8	10
1091891	20	60	19.928	19.98	M16	22	30	14	8.8	10
1091905	20	70	19.928	19.98	M16	22	30	14	8.8	10
1095994	20	80	19.928	19.98	M16	22	30	14	8.8	10
1096087	20	90	19.928	19.98	M16	22	30	14	8.8	10
1129635	20	100	19.928	19.98	M16	22	30	14	8.8	10
1129643	20	120	19.928	19.98	M16	22	30	14	8.8	10
1168851	24	50	23.928	23.98	M20	27	36	16	10	12
1168878	24	60	23.928	23.98	M20	27	36	16	10	12
1168886	24	70	23.928	23.98	M20	27	36	16	10	12
1168894	24	80	23.928	23.98	M20	27	36	16	10	12
1168908	24	90	23.928	23.98	M20	27	36	16	10	12
1168983	24	100	23.928	23.98	M20	27	36	16	10	12
1168991	24	120	23.928	23.98	M20	27	36	16	10	12

X-ON Electronics

Largest Supplier of Electrical and Electronic Components

Click to view similar products for [Screws & Fasteners](#) category:

Click to view products by [Bossard](#) manufacturer:

Other Similar products are found below :

[5721-1440-1/4-SS](#) [593503FX](#) [0098.0094](#) [0098.9206](#) [0098.9219](#) [0098.9221](#) [0098.9262](#) [59781-6](#) [0098.9210](#) [0098.9212](#) [618-00001](#) [6292-1](#)
[690432-1](#) [699161-000](#) [7230-3](#) [72609-02](#) [CAPTIVE JACK SCREW](#) [73542-02](#) [CAPTIVE SHORT THUMBSCREW](#) [745564-1](#) [7680](#) [809704-1](#)
[8700](#) [8860220](#) [9521](#) [992763-3](#) [1-18024-0](#) [A168P1](#) [1-24921-1](#) [125416-1](#) [1301810148](#) [1301810313](#) [1301810400](#) [1301830031](#) [1-306131-6](#)
[1301810131](#) [1301830042](#) [1393160-3](#) [1458](#) [1-59781-3](#) [18029-4](#) [NBX-10953](#) [2079764-1](#) [20993.45098](#) [21004-1](#) [21009-4](#) [21014-5](#) [21021-2](#)
[CA24037A01](#) [22987-4](#) [2-305927-7](#) [2327](#)