

## At your service in the field of fastening technology

The company headquartered in Zug, Switzerland, is among the market leaders in fastening technology in Europe, the Americas and Asia-Pacific. Bossard is a global network of companies with **2'500 employees in 77 locations** and carefully selected international partners in all regions of the world.

Our drive for excellence and innovation has led to steady growth and market success for more than 185 years.

### The core competences are:



[Product Solutions](#) – the full range of fastening products such as screws, nuts, bolts, woodscrews, washers, pins and much more.



[Assembly Technology Expert](#) and consulting services to optimize your production and assembly processes

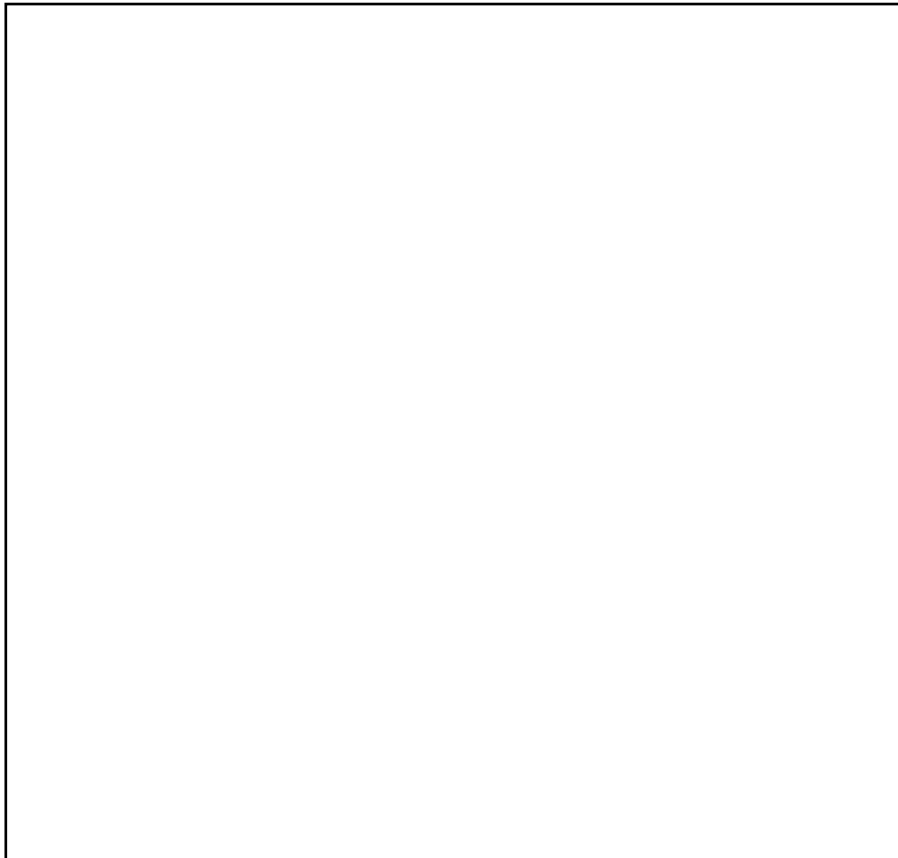


[Smart Factory Logistics](#) solutions to free you from C-parts management

## BN 4851 3271480 hexalobular socket countersunk flat head screw M5x40

Hexalobular (6 Lobe) socket countersunk flat head screws, fully threaded (ISO 14581), 08.8 / 8.8, zinc plated blue

### 3D View



#### Zoom

Moves you toward or away from objects in the scene when you drag vertically. You can also zoom with the hand tool by holding down Shift as you drag.

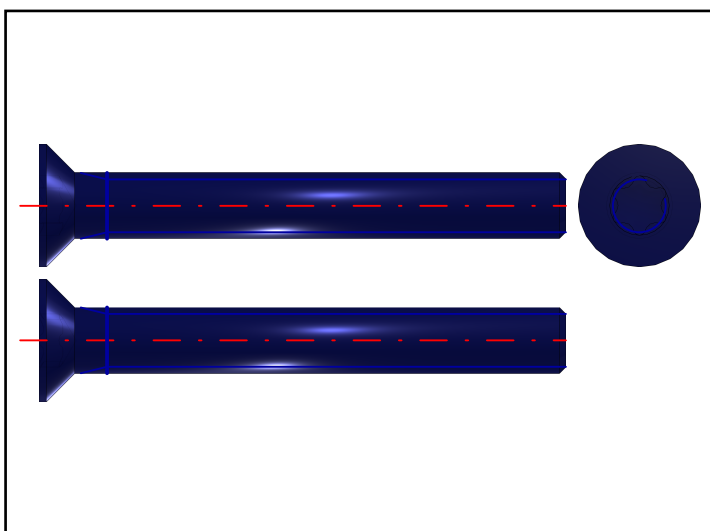
#### Pan

Moves the model vertically and horizontally only. You can also pan with the hand tool: Ctrl-drag.

#### Rotate

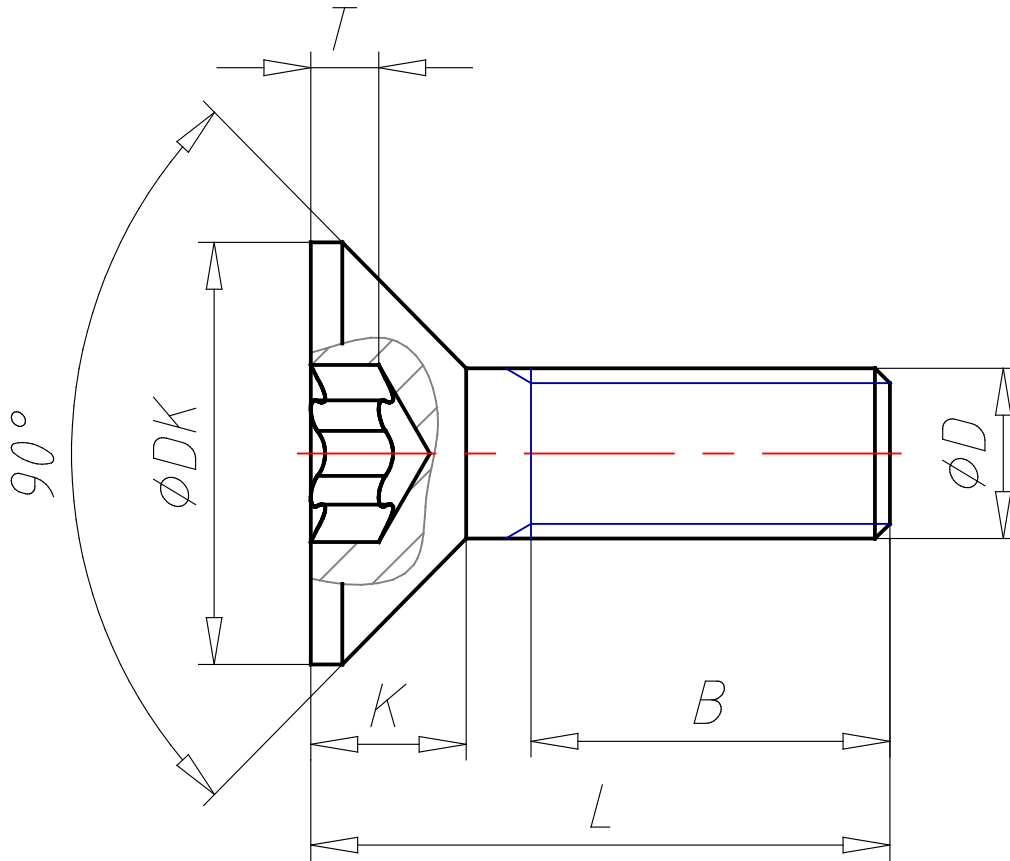
Turns 3D objects around relative to the screen. How the objects move depends on the starting view, where you start dragging and the direction in which you drag.

### 2D derivation



### ISO View





© For this drawing we reserve all rights. Without our permission it may neither be copied nor made accessible to third persons.

© Diese Zeichnung darf ohne unsere schriftliche Genehmigung weder vervielfältigt noch Dritten zugänglich gemacht werden.

<b>BN 4851 3271480 hexalobular socket countersunk flat head screw M5x40</b>					
Hexalobular (6 Lobe) socket countersunk flat head screws, fully threaded (ISO 14581), 08.8 / 8.8, zinc plated blue					
Version Index	Modification Aenderung			Date Datum	Changed Geändert
Comment Bemerkung —					
Specifications and reference standards Technische Lieferbedingungen und Bezugsnormen			Material Werkstoff —		
Tolerances Toleranzen			Surface Oberfläche —		
Substitute for Ersatz fuer —			Title Benennung		
Replaced by Ersetzt durch —					
Drawn Gezeichnet	—	—			
Checked Geprüft	—	—			
Approved Freigabe	—	—			
			Drawing no. Zeichnungs-Nr.		

**BN 4851 3271480 hexalobular socket countersunk flat head screw M5x40**

Hexalobular (6 Lobe) socket countersunk flat head screws, fully threaded (ISO 14581), 08.8 / 8.8, zinc plated blue

**Technical Data**

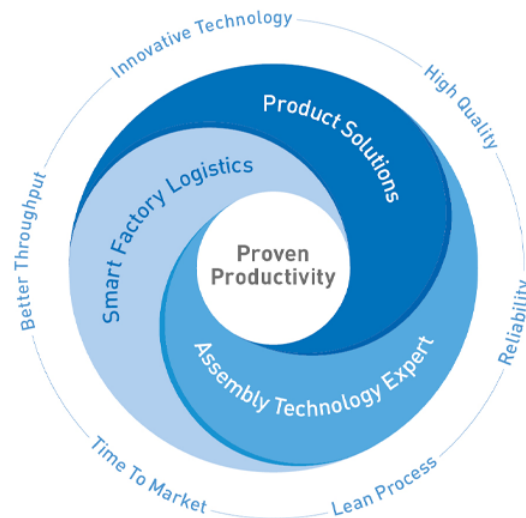
BNARTNR (Identification)	3271480
BNNORM1 ()	ISO 14581
BNMAT (Material)	Steel 08.8 / 8.8
BNSURFACE (Surface)	zinc plated blue
D (Nominal thread diameter / mm)	5
D3 (Core diameter / mm)	4.019
P (Threaded pitch / mm)	0.8
L (Length / mm)	40
B (Thread length / mm)	34.9
DK (Head diameter max. / mm)	9.3
K (Head height / mm)	2.7
NR (Hexalobular socket)	25
A (Torx outer diameter / mm)	4.5
T (Torx-depth max. / mm)	1.51

**BN 4851 3271480 hexalobular socket countersunk flat head screw M5x40**

Hexalobular (6 Lobe) socket countersunk flat head screws, fully threaded (ISO 14581), 08.8 / 8.8, zinc plated blue

**Bill of Materials**

N°	Description	Amount
1.1	BN 4851 3271480 hexalobular socket countersunk flat head screw M5x40	1



From the perspective of our customers, the interplay has six core benefits within the perspectives of [Product Solutions](#), [Assembly Technology Expert](#) and [Smart Factory Logistics](#):

1. Time to market:

This means that our customers' products are brought to market faster – a crucial competitive advantage in a global environment where speed counts.

2. Lean process:

For our customers, this means saving time, money and resources, being able to better calculate total costs – and above all, achieving higher margins.

3. Better throughput:

This is one of the central cost aspects for our customers when it comes to boosting effectiveness – and especially improving efficiency.

4. High quality:

For our customers, this means absolute reliability in terms of product, process and production safety – and hence, less waste and fewer complaints.

5. Innovative technology:

From a customer's perspective this is crucial. Only companies open to new developments are ready to successfully forge new paths and go where no other competitor has gone before.

6. Maximum reliability:

For our loyal customers, this means knowing that they can rely on us and our long-time employees with the utmost confidence – not just now, but decades down the line.

## X-ON Electronics

Largest Supplier of Electrical and Electronic Components

*Click to view similar products for [Screws & Fasteners](#) category:*

*Click to view products by [Bossard](#) manufacturer:*

Other Similar products are found below :

[5721-1440-1/4-SS](#) [593503FX](#) [0098.0094](#) [0098.9206](#) [0098.9219](#) [0098.9262](#) [596-2114-013](#) [59781-6](#) [0098.0026](#) [0098.9210](#) [0098.9212](#) [60227-01](#) [60227-04](#) [60227-08](#) [60687-01](#) LOCK WASHER Black [62153-03](#) [62153-11](#) [M316-KSSTMCZ100](#) [M3440-SS](#) [M3442-SS](#) [M3448-SS](#) [6292-1](#) [6-306105-9](#) [6-306131-4](#) [690432-1](#) [699161-000](#) [7230-3](#) [7244](#) [7248-2](#) [73542-02](#) CAPTIVE SHORT THUMBSCREW [745564-1](#) [F1209](#) [751-00001](#) [7680](#) [809704-1](#) [8700](#) [8860220](#) [9047](#) [9521](#) [992326-6](#) [992763-3](#) [1-18024-0](#) [1-18028-2](#) [A168P1](#) [A495P1](#) [1-24921-1](#) [125416-1](#) [1260](#) [13-0036](#) [1301810148](#)