

## At your service in the field of fastening technology

The company headquartered in Zug, Switzerland, is among the market leaders in fastening technology in Europe, the Americas and Asia-Pacific. Bossard is a global network of companies with **2'500 employees in 77 locations** and carefully selected international partners in all regions of the world.

Our drive for excellence and innovation has led to steady growth and market success for more than 185 years.

### The core competences are:



[Product Solutions](#) – the full range of fastening products such as screws, nuts, bolts, woodscrews, washers, pins and much more.



[Assembly Technology Expert](#) and consulting services to optimize your production and assembly processes

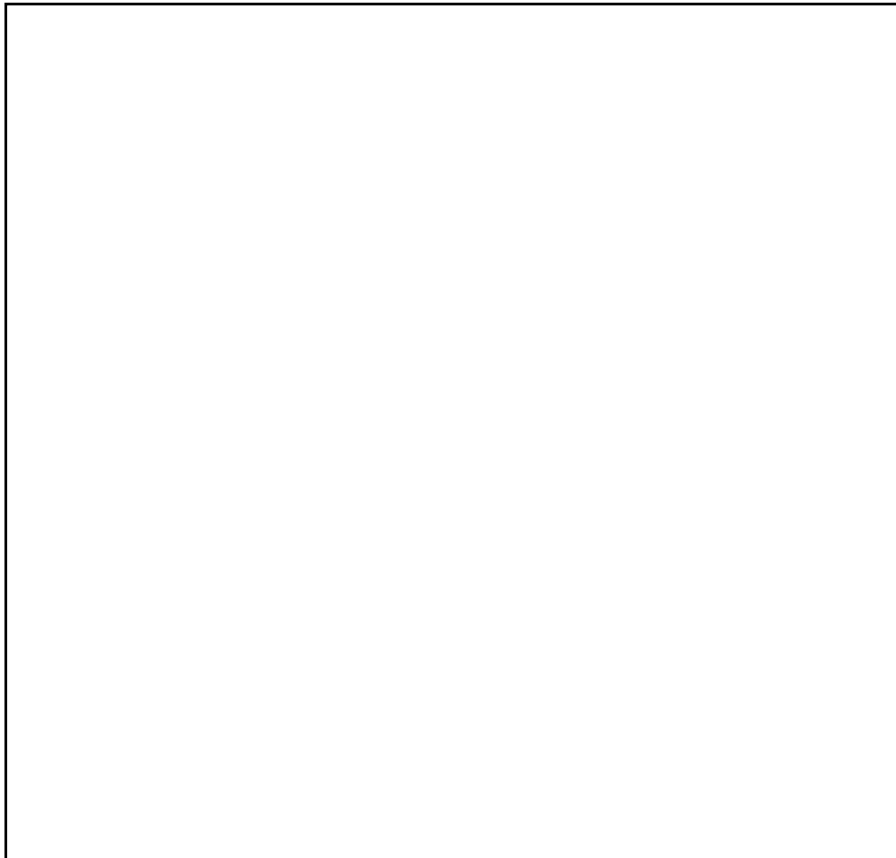


[Smart Factory Logistics](#) solutions to free you from C-parts management

## BN 20239 3370869 slotted cheese head screw M5x8

Slotted cheese head machine screws (DIN 84 A, ~ISO 1207), 4.8, zinc plated with thicklayer passivation

### 3D View



#### Zoom

Moves you toward or away from objects in the scene when you drag vertically. You can also zoom with the hand tool by holding down Shift as you drag.

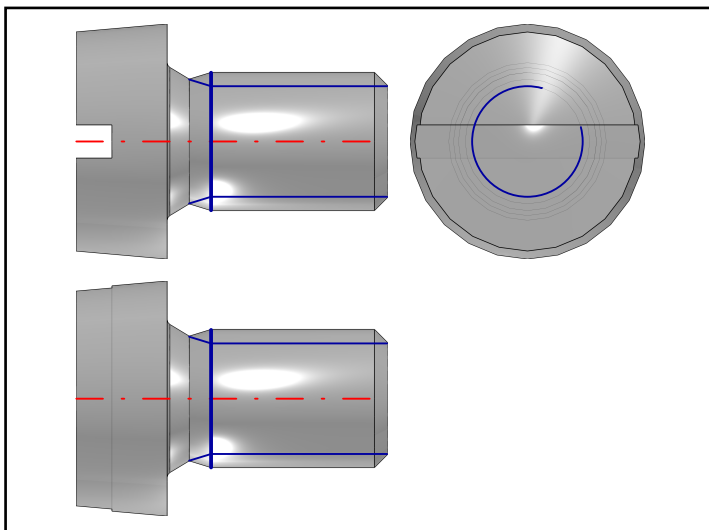
#### Pan

Moves the model vertically and horizontally only. You can also pan with the hand tool: Ctrl-drag.

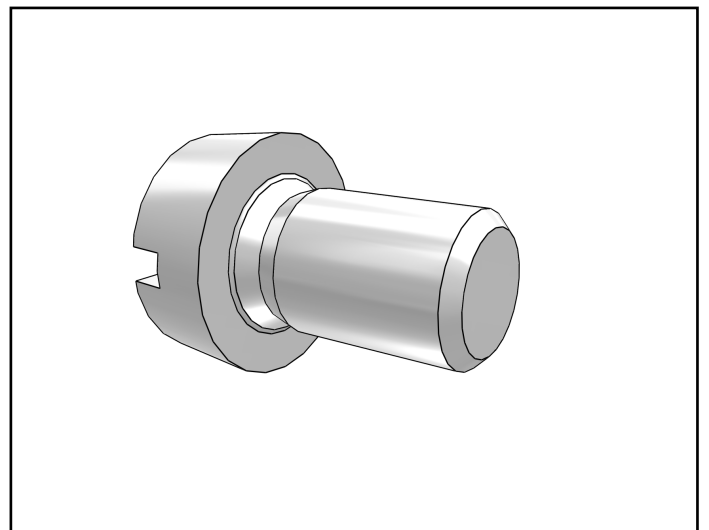
#### Rotate

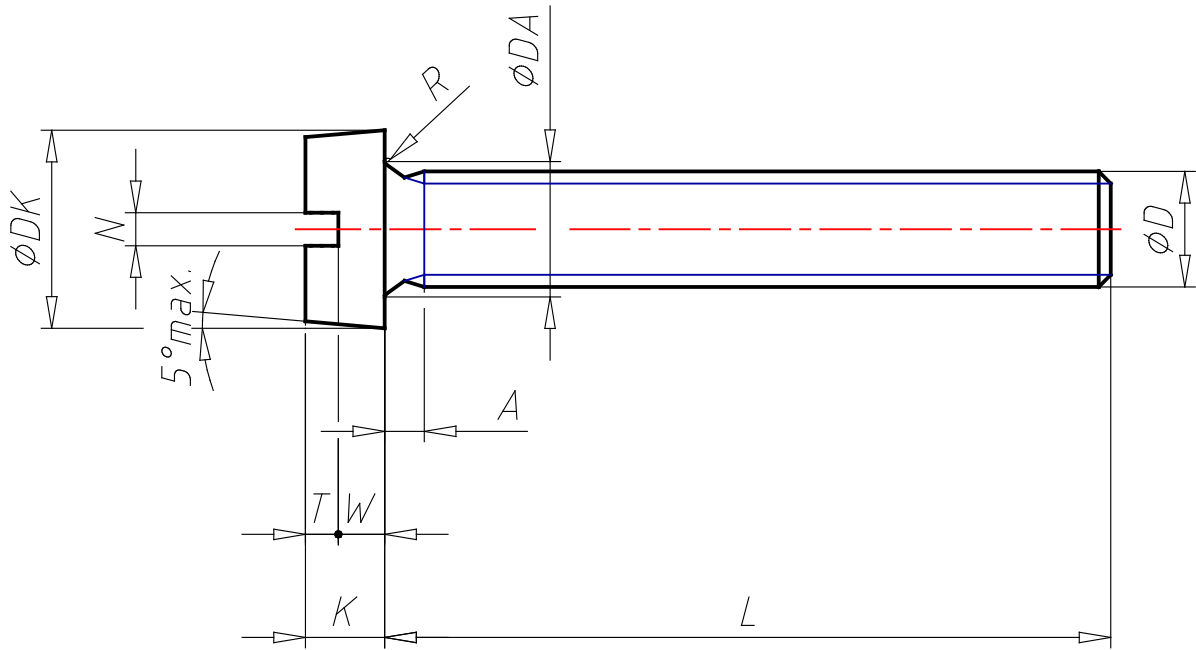
Turns 3D objects around relative to the screen. How the objects move depends on the starting view, where you start dragging and the direction in which you drag.

### 2D derivation



### ISO View





© For this drawing we reserve all rights. Without our permission it may neither be copied nor made accessible to third persons.

© Diese Zeichnung darf ohne unsere schriftliche Genehmigung weder vervielfältigt noch Dritten zugänglich gemacht werden.

		<b>BN 20239 3370869 slotted cheese head screw M5x8</b>			
		Slotted cheese head machine screws (DIN 84 A, ~ISO 1207), 4.8, zinc plated with thicklayer passivation			
Version Index	Modification Aenderung			Date Datum	Changed Geändert
Comment Bemerkung —					
Specifications and reference standards Technische Lieferbedingungen und Bezugsnormen		Material Werkstoff —			
Tolerances Toleranzen		Surface Oberfläche —			
Substitute for Ersatz fuer —		Title Benennung			
Replaced by Ersetzt durch —		—			
Drawn Gezeichnet	—			Dimensions Dimensionen mm	
Checked Geprüft	—	Drawing no. Zeichnungs-Nr.		Revision Index	Scale Massstab
Approved Freigabe	—	—		—	%

**BN 20239 3370869 slotted cheese head screw M5x8**

Slotted cheese head machine screws (DIN 84 A, ~ISO 1207), 4.8, zinc plated with thicklayer passivation

**Technical Data**

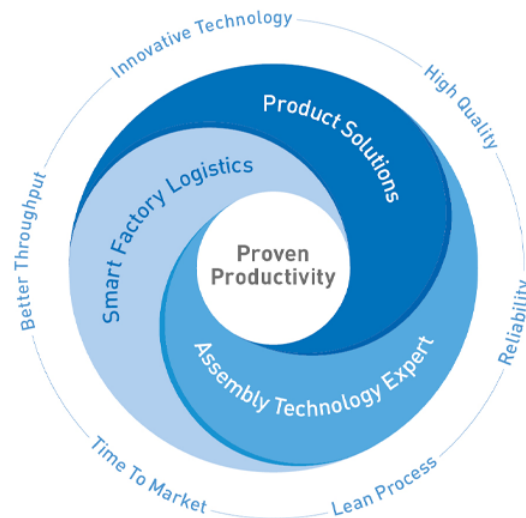
BNARTNR (Identification)	3370869
BNNORM1 ()	DIN 84 A
BNNORM2 ()	~ISO 1207
BNMAT (Material)	Steel 4.8
BNSURFACE (Surface)	zinc plated with thicklayer passivation
D (Nominal thread diameter / mm)	5
D3 (Thread core diameter / mm)	4.019
P (Threaded pitch / mm)	0.8
L (Nominal length / mm)	8
A (Distance from the last full form thread to the bearing face / mm)	1.6
B (Thread length / mm)	6.4
DK (Head diameter / mm)	8.5
DA (max. / mm)	5.7
K (Head height / mm)	3.3
N (Width of slot / mm)	1.2
R (Transition radius under head / mm)	0.2
T (Depth of the driving feature min. / mm)	1.3
W (min. / mm)	1.3
X (max. / mm)	2

**BN 20239 3370869 slotted cheese head screw M5x8**

Slotted cheese head machine screws (DIN 84 A, ~ISO 1207), 4.8, zinc plated with thicklayer passivation

**Bill of Materials**

N°	Description	Amount
1.1	BN 20239 3370869 slotted cheese head screw M5x8	1



From the perspective of our customers, the interplay has six core benefits within the perspectives of [Product Solutions](#), [Assembly Technology Expert](#) and [Smart Factory Logistics](#):

1. Time to market:

This means that our customers' products are brought to market faster – a crucial competitive advantage in a global environment where speed counts.

2. Lean process:

For our customers, this means saving time, money and resources, being able to better calculate total costs – and above all, achieving higher margins.

3. Better throughput:

This is one of the central cost aspects for our customers when it comes to boosting effectiveness – and especially improving efficiency.

4. High quality:

For our customers, this means absolute reliability in terms of product, process and production safety – and hence, less waste and fewer complaints.

5. Innovative technology:

From a customer's perspective this is crucial. Only companies open to new developments are ready to successfully forge new paths and go where no other competitor has gone before.

6. Maximum reliability:

For our loyal customers, this means knowing that they can rely on us and our long-time employees with the utmost confidence – not just now, but decades down the line.

## X-ON Electronics

Largest Supplier of Electrical and Electronic Components

*Click to view similar products for [Screws & Fasteners](#) category:*

*Click to view products by [Bossard](#) manufacturer:*

Other Similar products are found below :

[5721-1440-1/4-SS](#) [593503FX](#) [0098.0094](#) [0098.9206](#) [0098.9219](#) [0098.9221](#) [0098.9262](#) [59781-6](#) [0098.9210](#) [0098.9212](#) [618-00001](#) [6292-1](#)  
[690432-1](#) [699161-000](#) [7230-3](#) [72609-02](#) [CAPTIVE JACK SCREW](#) [73542-02](#) [CAPTIVE SHORT THUMBSCREW](#) [745564-1](#) [751-00001](#)  
[7680](#) [809704-1](#) [8700](#) [8860220](#) [9521](#) [992763-3](#) [1-18024-0](#) [A168P1](#) [1-24921-1](#) [125416-1](#) [1301810148](#) [1301810313](#) [1301810400](#)  
[1301830031](#) [1-306131-6](#) [1301810131](#) [1301830042](#) [1393160-3](#) [1458](#) [1-59781-3](#) [18029-4](#) [NBX-10953](#) [2079764-1](#) [20993.45098](#) [21004-1](#)  
[21009-4](#) [21014-5](#) [21021-2](#) [CA24037A01](#) [22987-4](#) [2-305927-7](#)