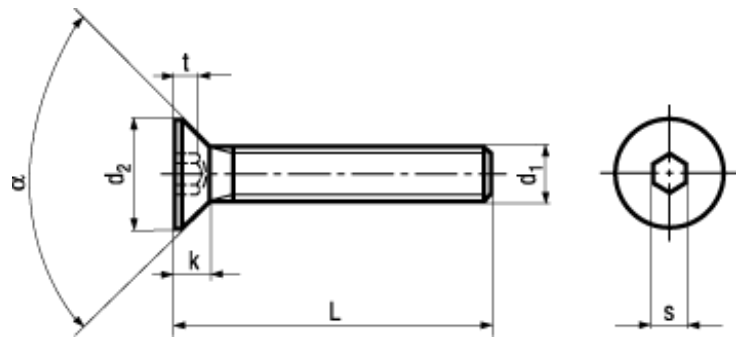




The head marking is determining



**BN 2100**

**Hex socket flat countersunk head screws**

fully threaded

Steel 08.8 / 8.8

zinc plated blue

- ~UNI 5933

[3D Cadenas](#)

Fasteners to the given specification have a reduced loadability due to the head geometry according to ISO 898-1. The use of ISO countersunk screws requires checking the mounting situation to avoid an overlap of the head!

Article#	Customer Article#	d <sub>1</sub>	d <sub>2</sub> max.	k max.	s	t	α	L
3808847		M3	5,81	1,86	2	1,1	90°	8
3808848								10
3808849								12
3808850								16
3808851								20
3808852								25
3808853								30
3808854		M4	7,96	2,48	2,5	1,5	90°	8
3808855								10
3808856								12
3808857								16
3808858								20
3808859								25
3808860								30
3808861								35
3808862								40
3808863		M5	10,7	3,1	3	1,9	90°	8
3808864								10
3808865								12
3808866								16
3808867								20
3808868								25
3808869								30

Article#	Customer Article#	d <sub>1</sub>	d <sub>2</sub> max.	k max.	s	t	α	L
3808870		M5	10,7	3,1	3	1,9	90°	35
3808871								40
3808872								45
3808873								50
3808874		M6	12,16	3,72	4	2,2	90°	8
3808875								10
3808876								12
3808877								16
3808878								20
3808879								25
3808880								30
3808881								35
3808882								40
3808883								45
3808884								50
3808885								55
3808886								60
3808888		M8	16,43	4,96	5	3	90°	10
3808890								12
3808891								16
3808892								20
3808893								25
3808894								30
3808895								35
3808896								40
3808897								45
3808898								50
3808899								55
3808900								60
3808901								65
3808902								70
3808903								80
3808905		M10	20,69	6,2	6	3,6	90°	12
3808908								16
3808909								20
3808910								25
3808911								30
3808912								35
3808913								40
3808914								45
3808915								50

Article#	Customer Article#	d <sub>1</sub>	d <sub>2</sub> max.	k max.	s	t	α	L
3808916		M10	20,69	6,2	6	3,6	90°	55
3808917								60
3808918								65
3808919								70
3808920								80
3808922								90
3808923								100
3808924		M12	24,81	7,44	8	4,3	90°	20
3808925								25
3808926								30
3808927								35
3808928								40
3808930								45
3808931								50
3808932								55
3808933								60
3808934								65
3808935								70
3808936								80
3808937								90
3808938								100
3808941		M16	30,61	8,8	10	4,8	90°	30
3808942								35
3808943								40
9001068								45
3808944								50
3808945								55
3808946								60
3808947								65
3808949								70
3808950								80
3808951								90
3808952								100
3808953		M20	36,75	10,16	12	5,6	90°	35
3808954								40
3808955								45
3808956								50
3808957								55
3808958								60
3808959								65
3808960								70

Article#	Customer Article#	d <sub>1</sub>	d <sub>2</sub> max.	k max.	s	t	α	L
3808961		M20	36,75	10,16	12	5,6	90°	80
3808962								90
3808963								100

## X-ON Electronics

Largest Supplier of Electrical and Electronic Components

*Click to view similar products for [Screws & Fasteners](#) category:*

*Click to view products by [Bossard](#) manufacturer:*

Other Similar products are found below :

[5721-1440-1/4-SS](#) [593503FX](#) [0098.0094](#) [0098.9206](#) [0098.9219](#) [0098.9221](#) [0098.9262](#) [59781-6](#) [0098.9210](#) [0098.9212](#) [618-00001](#) [6292-1](#)  
[690432-1](#) [699161-000](#) [7230-3](#) [72609-02](#) [CAPTIVE JACK SCREW](#) [73542-02](#) [CAPTIVE SHORT THUMBSCREW](#) [745564-1](#) [7680](#) [809704-1](#)  
[8700](#) [8860220](#) [9521](#) [992763-3](#) [1-18024-0](#) [A168P1](#) [1-24921-1](#) [125416-1](#) [1301810148](#) [1301810313](#) [1301810400](#) [1301830031](#) [1-306131-6](#)  
[1301810131](#) [1301830042](#) [1393160-3](#) [1458](#) [1-59781-3](#) [18029-4](#) [NBX-10953](#) [2079764-1](#) [20993.45098](#) [21004-1](#) [21009-4](#) [21014-5](#) [21021-2](#)  
[CA24037A01](#) [22987-4](#) [2-305927-7](#) [2327](#)