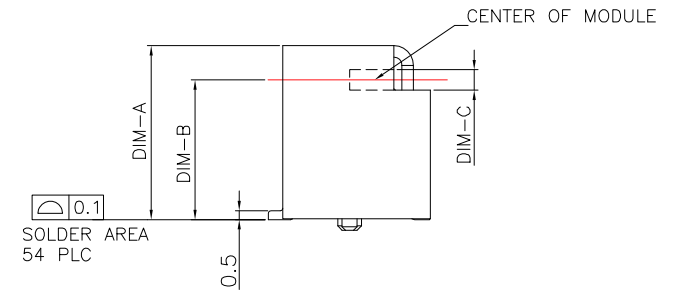
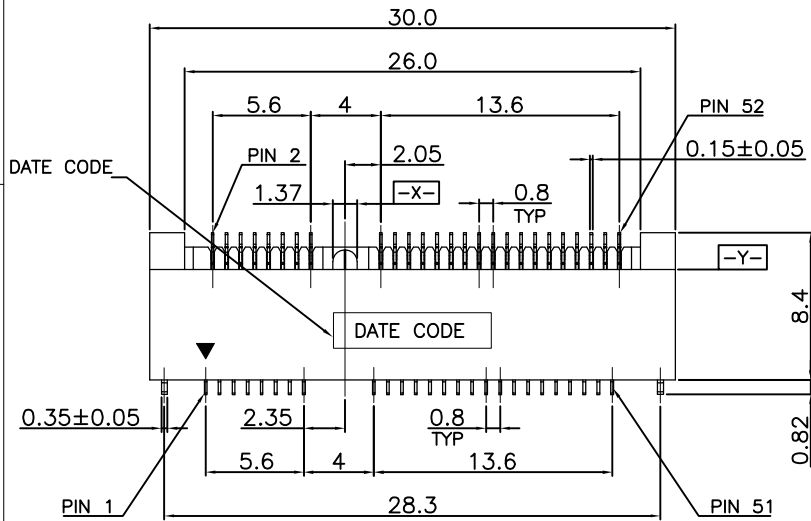




REV.	ECN NO OR DESCRIPTION	REVISED	DATE



**SPECIFICATION:**

**1. ELECTRICAL**

- 1.1 Current Rating: 0.5A per pin
- 1.2 Voltage Rating: 50V DC
- 1.3 Contact Resistance: 5 5mΩ Max
- 1.4 Insulation Resistance: 500MΩ Min
- 1.5 Dielectric Withstanding Voltage: 300VAC

**2. MECHANICAL**

- 2.1 Durability: 100 Cycle
- 2.2 Insertion Force: 2.3Kgf max.
- 2.3 Extraction Force: 2.3Kgf max.

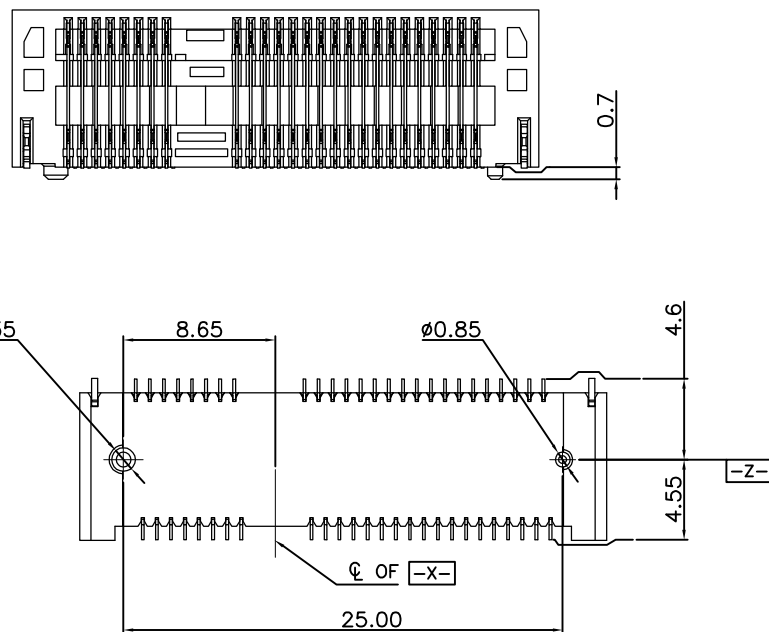
**3. ENVIRONMENTAL**

- 3.1 Operating temperature range: -40 °C~+85°C
- 3.2 Storage temperature range: -40 °C~+85°C

**4. SOLDER ABILITY**

- 4.1 Recommended IR Reflow Temperature: 260 °C 10Sec

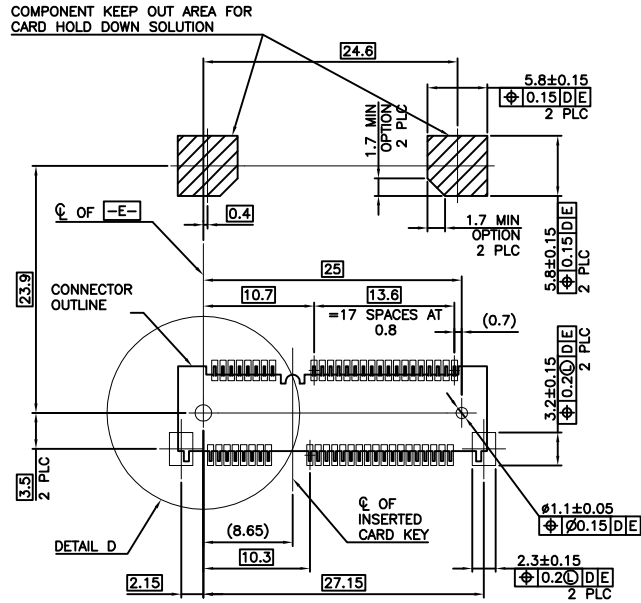
LTEM NO	DIM-A	DIM-B	DIM-C
	4.0mm	2.05mm	1.12mm
	5.2mm	3.25mm	1.12mm
	5.6mm	3.65mm	1.12mm
	7.0mm	5.05mm	1.12mm
	8.0mm	6.05mm	1.16mm
	9.0mm	7.05mm	1.16mm
	9.9mm	7.95mm	1.16mm



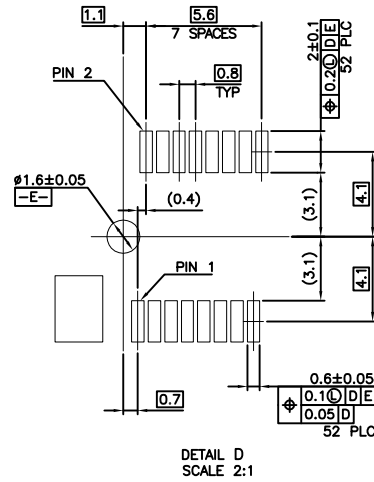
UNLESS OTHERWISE SPECIFIED TOLERANCES				
DECIMALS:	ANGLES:	TITLE	mPCI-E 0.8mm P数: 52	
X :±0.35	X :±2°	DWN	PART NO. BX-JSZ0.8-5.6H52P	
X.X :±0.25	X.X :±1°	CHKD	SCALE:1:1	UNIT: mm
X.XX :±0.15		APVD	SIZE: A4	SHEET:1OF 1
		REV: A4		
CUSTOMER COPY				



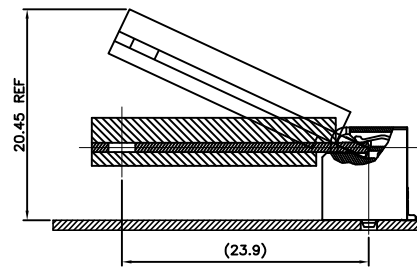
REV.	ECN NO OR DESCRIPTION	REVISED	DATE



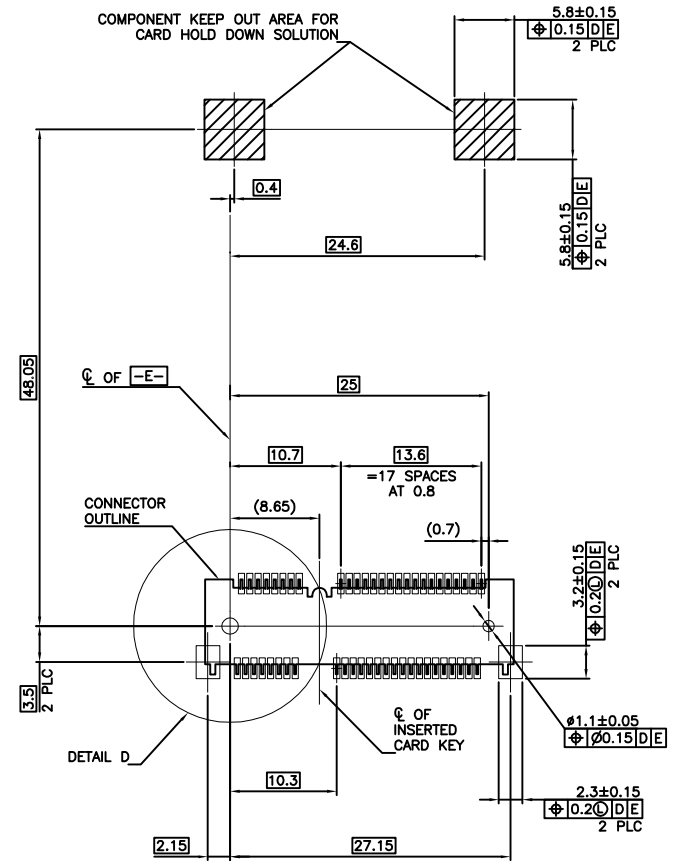
-D- IS THE TOP SURFACE OF PCB.  
**RECOMMENDED P.C. BOARD PATTERN LAYOUT FOR HALF CARD CONNECTOR (TOP VIEW)**



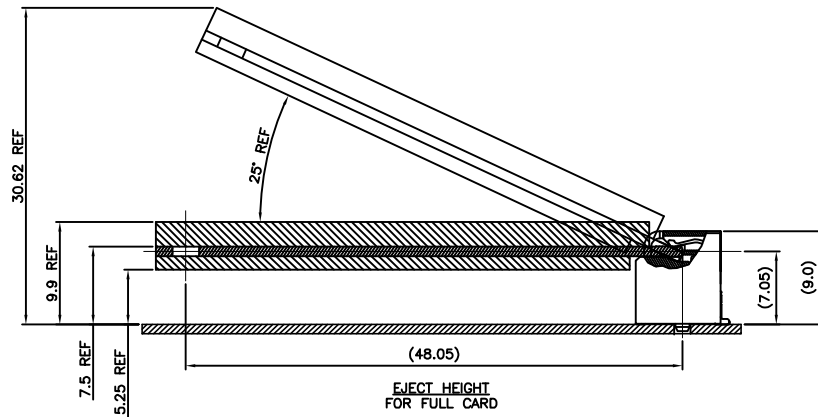
DETAIL D  
 SCALE 2:1



EJECT HEIGHT FOR HALF CARD



-D- IS THE TOP SURFACE OF PCB.  
**RECOMMENDED P.C. BOARD PATTERN LAYOUT FOR FULL CARD CONNECTOR (TOP VIEW)**



EJECT HEIGHT FOR FULL CARD

UNLESS OTHERWISE SPECIFIED TOLERANCES

DECIMALS:	ANGLES:
X :±0.35	X :±2°
X.X :±0.25	X.X :±1°
X.XX :±0.15	



TITLE	mPCI -E 0.8mm P数: 52		
DWN	PART NO.	BX-JS0.8-5.6H52P	
CHKD	SCALE: 1:1	UNIT: mm	
APVD	SIZE: A4	SHEET: 1 OF 1	REV: A4

CUSTOMER COPY

## X-ON Electronics

Largest Supplier of Electrical and Electronic Components

*Click to view similar products for [Standard Card Edge Connectors](#) category:*

*Click to view products by [Bossie](#) manufacturer:*

Other Similar products are found below :

[CR7E-30DB-3.96E\(72\)](#) [6565204-6](#) [1437274-4](#) [1-582587-1](#) [284-0102-12100](#) [286-0052-12101A](#) [306022901000000](#) [A6D22DS29C2](#) [1926088-2](#) [245-062-520-350](#) [287-0032-12101](#) [306-028-525-102](#) [307-072-526-202](#) [330-030-500-278](#) [345-060-559-303](#) [534671-1](#) [341-240-317](#) [345-044-500-300](#) [346-240-318](#) [C7D10DS29C1M133](#) [395-100-524-300](#) [09-07-2032](#) [10035388-802LF](#) [10115859-011LF](#) [10122859-009LF](#) [101269333204245CLF](#) [530555-1](#) [66925-516LF](#) [5145409-2](#) [73726-0005](#) [66308-1](#) [EBC05DRXN](#) [KSLX-62-BR](#) [CE100F26-7-C](#) [CE100F28-3-D](#) [CE100F28-4-D](#) [CE156F22-9-C](#) [CT100F24-3-D](#) [CT100F24-6-C](#) [MLSS100-12-C](#) [SCC100F-11-C](#) [SCC100F-20-C](#) [SCC100F-24-C](#) [SCC100F-25-C](#) [3-530656](#) [2512250177](#) [285-0112-12300](#) [346-068-556-300](#) [284-0492-11000](#) [287-0032-12301](#)